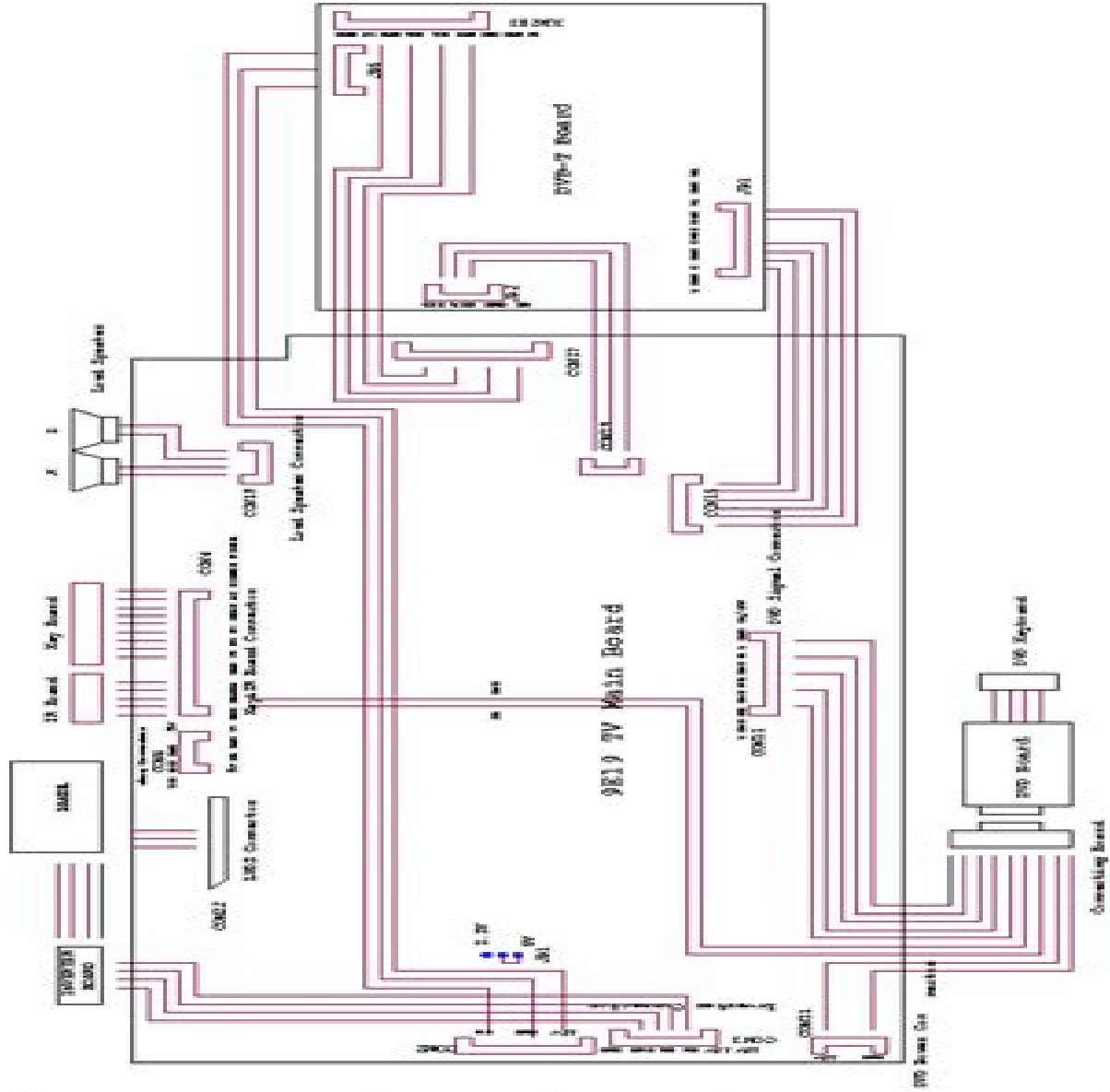


Part 1:

Schematic Diagram



Daewoo Dsl19v1wcd Manual

KJ Lindholm-Leary



Daewoo Dsl19v1wcd Manual:

Daewoo Leganza ,1997 Publication no LE3SM IE7FA Covers 2 litre engines only 1997 99 *Daewoo Lanos Service Manual* ,1997 **Daewoo 1.5i** ,1990 *Espero by Daewoo* ,1996 *Daewoo Nubira* ,1997 Publication no NU3SM 1E7FA Covers 1 6 and 2 litre models

Unveiling the Magic of Words: A Overview of "**Daewoo Dsl19v1wcd Manual**"

In a global defined by information and interconnectivity, the enchanting power of words has acquired unparalleled significance. Their capability to kindle emotions, provoke contemplation, and ignite transformative change is really awe-inspiring. Enter the realm of "**Daewoo Dsl19v1wcd Manual**," a mesmerizing literary masterpiece penned by a distinguished author, guiding readers on a profound journey to unravel the secrets and potential hidden within every word. In this critique, we shall delve to the book is central themes, examine its distinctive writing style, and assess its profound affect the souls of its readers.

<http://antonioscollegestation.com/results/Resources/fetch.php/ccna%20security%20640%20554%20official%20cert%20guide%20and%20livelessons%20bundle.pdf>

Table of Contents Daewoo Dsl19v1wcd Manual

1. Understanding the eBook Daewoo Dsl19v1wcd Manual
 - The Rise of Digital Reading Daewoo Dsl19v1wcd Manual
 - Advantages of eBooks Over Traditional Books
2. Identifying Daewoo Dsl19v1wcd Manual
 - Exploring Different Genres
 - Considering Fiction vs. Non-Fiction
 - Determining Your Reading Goals
3. Choosing the Right eBook Platform
 - Popular eBook Platforms
 - Features to Look for in an Daewoo Dsl19v1wcd Manual
 - User-Friendly Interface
4. Exploring eBook Recommendations from Daewoo Dsl19v1wcd Manual
 - Personalized Recommendations
 - Daewoo Dsl19v1wcd Manual User Reviews and Ratings

- Daewoo Dsl19v1wcd Manual and Bestseller Lists
- 5. Accessing Daewoo Dsl19v1wcd Manual Free and Paid eBooks
 - Daewoo Dsl19v1wcd Manual Public Domain eBooks
 - Daewoo Dsl19v1wcd Manual eBook Subscription Services
 - Daewoo Dsl19v1wcd Manual Budget-Friendly Options
- 6. Navigating Daewoo Dsl19v1wcd Manual eBook Formats
 - ePub, PDF, MOBI, and More
 - Daewoo Dsl19v1wcd Manual Compatibility with Devices
 - Daewoo Dsl19v1wcd Manual Enhanced eBook Features
- 7. Enhancing Your Reading Experience
 - Adjustable Fonts and Text Sizes of Daewoo Dsl19v1wcd Manual
 - Highlighting and Note-Taking Daewoo Dsl19v1wcd Manual
 - Interactive Elements Daewoo Dsl19v1wcd Manual
- 8. Staying Engaged with Daewoo Dsl19v1wcd Manual
 - Joining Online Reading Communities
 - Participating in Virtual Book Clubs
 - Following Authors and Publishers Daewoo Dsl19v1wcd Manual
- 9. Balancing eBooks and Physical Books Daewoo Dsl19v1wcd Manual
 - Benefits of a Digital Library
 - Creating a Diverse Reading Collection Daewoo Dsl19v1wcd Manual
- 10. Overcoming Reading Challenges
 - Dealing with Digital Eye Strain
 - Minimizing Distractions
 - Managing Screen Time
- 11. Cultivating a Reading Routine Daewoo Dsl19v1wcd Manual
 - Setting Reading Goals Daewoo Dsl19v1wcd Manual
 - Carving Out Dedicated Reading Time
- 12. Sourcing Reliable Information of Daewoo Dsl19v1wcd Manual
 - Fact-Checking eBook Content of Daewoo Dsl19v1wcd Manual
 - Distinguishing Credible Sources

-
13. Promoting Lifelong Learning
 - Utilizing eBooks for Skill Development
 - Exploring Educational eBooks
 14. Embracing eBook Trends
 - Integration of Multimedia Elements
 - Interactive and Gamified eBooks

Daewoo Dsl19v1wcd Manual Introduction

Daewoo Dsl19v1wcd Manual Offers over 60,000 free eBooks, including many classics that are in the public domain. Open Library: Provides access to over 1 million free eBooks, including classic literature and contemporary works. Daewoo Dsl19v1wcd Manual Offers a vast collection of books, some of which are available for free as PDF downloads, particularly older books in the public domain. Daewoo Dsl19v1wcd Manual : This website hosts a vast collection of scientific articles, books, and textbooks. While it operates in a legal gray area due to copyright issues, its a popular resource for finding various publications. Internet Archive for Daewoo Dsl19v1wcd Manual : Has an extensive collection of digital content, including books, articles, videos, and more. It has a massive library of free downloadable books. Free-eBooks Daewoo Dsl19v1wcd Manual Offers a diverse range of free eBooks across various genres. Daewoo Dsl19v1wcd Manual Focuses mainly on educational books, textbooks, and business books. It offers free PDF downloads for educational purposes. Daewoo Dsl19v1wcd Manual Provides a large selection of free eBooks in different genres, which are available for download in various formats, including PDF. Finding specific Daewoo Dsl19v1wcd Manual, especially related to Daewoo Dsl19v1wcd Manual, might be challenging as theyre often artistic creations rather than practical blueprints. However, you can explore the following steps to search for or create your own Online Searches: Look for websites, forums, or blogs dedicated to Daewoo Dsl19v1wcd Manual, Sometimes enthusiasts share their designs or concepts in PDF format. Books and Magazines Some Daewoo Dsl19v1wcd Manual books or magazines might include. Look for these in online stores or libraries. Remember that while Daewoo Dsl19v1wcd Manual, sharing copyrighted material without permission is not legal. Always ensure youre either creating your own or obtaining them from legitimate sources that allow sharing and downloading. Library Check if your local library offers eBook lending services. Many libraries have digital catalogs where you can borrow Daewoo Dsl19v1wcd Manual eBooks for free, including popular titles. Online Retailers: Websites like Amazon, Google Books, or Apple Books often sell eBooks. Sometimes, authors or publishers offer promotions or free periods for certain books. Authors Website Occasionally, authors provide excerpts or short stories for free on their websites. While this might not be the Daewoo Dsl19v1wcd Manual full book , it can give you a taste of the authors writing style. Subscription Services Platforms like Kindle

Unlimited or Scribd offer subscription-based access to a wide range of Daewoo Dsl19v1wcd Manual eBooks, including some popular titles.

FAQs About Daewoo Dsl19v1wcd Manual Books

How do I know which eBook platform is the best for me? Finding the best eBook platform depends on your reading preferences and device compatibility. Research different platforms, read user reviews, and explore their features before making a choice. Are free eBooks of good quality? Yes, many reputable platforms offer high-quality free eBooks, including classics and public domain works. However, make sure to verify the source to ensure the eBook credibility. Can I read eBooks without an eReader? Absolutely! Most eBook platforms offer web-based readers or mobile apps that allow you to read eBooks on your computer, tablet, or smartphone. How do I avoid digital eye strain while reading eBooks? To prevent digital eye strain, take regular breaks, adjust the font size and background color, and ensure proper lighting while reading eBooks. What the advantage of interactive eBooks? Interactive eBooks incorporate multimedia elements, quizzes, and activities, enhancing the reader engagement and providing a more immersive learning experience. Daewoo Dsl19v1wcd Manual is one of the best book in our library for free trial. We provide copy of Daewoo Dsl19v1wcd Manual in digital format, so the resources that you find are reliable. There are also many Ebooks of related with Daewoo Dsl19v1wcd Manual. Where to download Daewoo Dsl19v1wcd Manual online for free? Are you looking for Daewoo Dsl19v1wcd Manual PDF? This is definitely going to save you time and cash in something you should think about.

Find Daewoo Dsl19v1wcd Manual :

ccna security 640 554 official cert guide and livelessons bundle

cell study guide answers

ccna 1 final exam printable study guide

ccna discovery 2 instructor lab manual

celestina rojas fernando

[ccna security instructor lab manual](#)

[ceb action guide mold](#)

[cda 9851 manual](#)

cell biology free textbook download

[ce stade nuit kerangal maylis](#)

[cell biology and geneticsbiology the unity and diversity of life vol 1](#)

[ccleaner handbuch deutsch](#)

[cdpe field manual](#)

[cbse manual 2015](#)

[ech canadian master tax guide](#)

Daewoo Dsl19v1wcd Manual :

▣ **dodge durango 2016 2018 fuse box diagram fuses guru** - Sep 25 2022

web mar 25 2021 in this article you will find a description of fuses and relays dodge with photos of block diagrams and their locations highlighted the cigarette lighter fuse as the most popular thing people look for get tips on blown fuses replacing a fuse and more

dodge durango central timer module diagnosis and testing - Aug 05 2023

web on the high line version of the ctm repeat the check at the fused ignition switch output run accessory circuit cavity of the 18 way ctm wire harness connector if ok replace the faulty ctm if not ok repair the open circuit from the ctm to the junction block as required

dodge durango central timer module removal and installation - May 02 2023

web 1 position the ctm and mounting bracket unit in the instrument panel glove box opening 2 reconnect the instrument panel wire harness connector s one connector for the base ctm two connectors for high line ctm to the ctm connector receptacle s fig 22 outboard glove box opening bracket remove install 1 ctm bracket 2

[fuse box location and diagrams dodge durango 2011 2019](#) - Feb 28 2023

web subscribe 105k views 3 years ago see more on our website fuse box info dodge dodge dur fuse box diagram location and assignment of electrical fuses for dodge durango 2011 2

dodge durango fuse panel ctm pdf stage gapinc - Mar 20 2022

web 4 dodge durango fuse panel ctm 2021 11 22 increasingly complex there is greater emphasis on expertise and cognitive skills advances in technology such as computer simulations and web based training are necessitating a more active role for the learner in the training process in the broad context of the organization systems this book promotes

dodge durango electrical fuses replacement guide 2011 to - Oct 27 2022

web replacement fuses in a variety of amperage ratings e g 5 10 15 20 25 can be purchased at walmart pep boys advance auto parts or online at amazon a yellow plastic fuse puller tool is included at the right rear corner of the electrical panel fuse

location diagram yellow plastic fuse puller tool place jaws over old fuse

[interior fuse box location 2008 dodge durango limited 4 carcarekiosk](#) - May 22 2022

web 1 getting started prepare for the repair 2 remove cover locate interior fuse box and remove cover 3 locate bad fuse look at fuse box diagram and find the fuse for the component not working 4 remove fuse from fuse box take out the fuse in question and assess if it is a blown fuse 5

[dodge durango 2011 fuse box diagram auto genius](#) - Nov 27 2022

web oct 17 2017 dodge durango 2011 fuse box diagram posted on 17 october 2017 10 july 2019 by admin dodge durango 2011 fuse box diagram year of production 2011 totally integrated power module the totally integrated power module is located in the engine compartment cavity cartridge fuse

fuse box diagram dodge durango 2011 2019 - Jun 03 2023

web cigar lighter power outlet fuses in the dodge durango are the fuses m7 power outlet 2 switchable and m36 power outlet in the engine compartment fuse box 2011 2013 since 2014 f90 f91 power outlet rear seats selectable f93 cigar lighter and f104 power outlets instrument panel center console

dodge durango 2020 fuse box cars fuse box diagrams - Jan 30 2023

web jan 23 2023 fuse diagram and relay box dodge durango applies to vehicles new in years 2020 energy distribution center the description of each fuse and component can be stamped on the inner cover otherwise the cavity number of

dodge durango fuse panel ctm stage gapinc com - Nov 15 2021

web dodge durango fuse panel ctm anyway to get it waltoniana the prism city laboulbeniales fungi ascomycetes keeper of the river financial performance representations conflict and consensus in american politics learning training and development in organizations tariff handbook fence 39 revision of the tariff the

[dodge durango fuse panel ctm pdf free live hubitat](#) - Jan 18 2022

web dodge durango fuse panel ctm pdf upload arnold d grant 1 11 downloaded from live hubitat com on october 24 2023 by arnold d grant dodge durango fuse panel ctm pdf dodge durango fuse panel ctm pdf free introduction page 5 about this book dodge durango fuse panel ctm pdf free page 5 acknowledgments page 8 about

[fuse box diagram dodge durango 1998 2003](#) - Aug 25 2022

web here you will find fuse box diagrams of dodge durango 1998 1999 2000 2001 2002 and 2003 get information about the location of the fuse panels inside the car and learn about the assignment of each fuse fuse layout and relay

dodge durango fuse panel ctm home rightster com - Jun 22 2022

web am trying to find used active body control modules for the dodge durango slt 1999 dodge durango dash fuse panel with labeled slots fuses and relays box diagram dodge durango 2 fuse panel diagram dodge durango forum forums and

56049173ag 2004 2007 dodge durango at 4 7l junction 1998 2003 dodge durango electrical

dodge durango central timer module diagnosis and testing - Apr 01 2023

web 1 check the fuses in the junction block if ok go to step 2 if not ok repair the shorted circuit or component as required and replace the faulty fuse 2 check for battery voltage at the fuse in the junction block if ok go to step 3 if not ok repair the open circuit to the power distribution center pdc as required

[dodge durango fuse panel ctm forum consigncloud com](#) - Dec 17 2021

web sep 16 2020 2 dodge durango fuse panel ctm 2020 09 16 patterns have been added and extra examples have been included throughout the text the unrivalled depth and range of this updated edition of korean a comprehensive grammar makes it an essential reference source on the korean language america s best kept secret american bar

electrical gremlins possible ctm dodge durango forum - Jul 04 2023

web jul 11 2022 been awhile since i ve been here hoping someone can confirm that my ctm is dying or point to something else entirely 2000 durango slt 5 9 4wd just

dodge durango 2021 fuse box fuse box info location diagram - Dec 29 2022

web dodge durango 2021 fuse box transmission control module pm sensor diesel engine only ignition coils ignition coil capacitors short runner valve actuator if equipped gas urea heater diesel power outlets instrument panel center console rear cargo if equipped fuse box information dodge durango 2021

[dodge durango fuse panel ctm mail nocodeapi com](#) - Apr 20 2022

web dodge durango fuse panel ctm dodge durango fuse panel ctm used active body control modules for the dodge durango slt 1998 2003 dodge durango electrical systems and electronics 2001 dodge durango ctm bcm replacement 1 7 youtube 2000 durango headlights don t work everything else fine ctm central timing module dodge

ctm replacement dodge durango forum - Sep 06 2023

web oct 26 2022 hello all so i have been experiencing the dreaded and apparently not so uncommon failure of the ctm on my 2002 durango slt my mechanic confirmed my suspicions that it was the ctm and told me that it was a dealer only part and a new ctm would have to be programmed by the dealer or the

dodge durango fuse panel ctm housing gov - Feb 16 2022

web ctm central timing module dodge dakota forum 2004 durango need interior fuse box labeling to find out dodge durango 2016 2018 fuse box diagram auto genius

ctm aka bcm help dodge durango forum - Oct 07 2023

web mar 26 2013 that seems like a bizarre set of failure and i don t have an 02 fsm to verify on the 01 the backup lights were pretty straightforward fuse 26 in the junction box to the transmission range sensor to the backup lights to ground fuse

26 also lights the passenger side power door lock switch lamp

fuse box dodge durango fusesdiagram com - Jul 24 2022

web fuse box in passenger compartment dodge durango fuse box location the junction block is located in the end cover at the left side of the instrumental panel

le langage secret des arbres s inspirer des merveilles de la - Feb 09 2023

web tlcharger le langage secret des arbres s inspirer le langage des fleurs pinterest le langage secret des arbres broch erwin thoma le langage secret des arbres s inspirer des merveilles de katisa editions website facebook 29 photos erwin thoma le

langage secret des arbres d qc flora le langage secret des arbres s inspirer

le langage secret des arbres s inspirer des erwin thoma - Jan 08 2023

web sep 18 2018 il décrypte pour nous ses merveilles ses secrets et ses bienfaits vertus médicinales résistance du bois de lune symbolique des arbres vous découvrirez ainsi la bio inspiration ou comment s inspirer des solutions qui existent dans la nature pour répondre aux problématiques de notre société la nature est en effet le meilleur de

le langage secret des arbres s inspirer des merveilles de la forêt - Nov 06 2022

web découvrez des commentaires utiles de client et des classements de commentaires pour le langage secret des arbres s inspirer des merveilles de la forêt sur amazon fr lisez des commentaires honnêtes et non biaisés sur les produits de la part nos utilisateurs

le langage secret des arbres s inspirer des de erwin thoma - Mar 10 2023

web sep 18 2018 le langage secret des arbres s inspirer des merveilles de la forêt de erwin thoma Éditeur guy trédaniel livraison gratuite à 0 01 dès 35 d achat librairie decitre votre prochain livre est là

le langage secret des arbres s inspirer des merve download - Jul 02 2022

web le langage secret des arbres s inspirer des merve les amours d emma poèmes le bosquet la fin du s avoir dictionnaire permanent du français en liberté le sort du tearling les langages secrets de la nature les rêveuses subversives la guérisseuse le secret jardins de capitales la revue blanche le phénomène contemporain phréatique

le langage secret des arbres s inspirer des merve pdf - Jun 01 2022

web une société de savants et de littérateurs 1840 le langage secret des arbres erwin thoma 2018 09 03 s inspirer des merveilles de la forêt que ce soient ceux des parcs et des jardins des forêts ou même des bords de route les arbres nous accompagnent et vivent avec nous dans cet ouvrage captivant erwin

le langage secret des arbres s inspirer des merveilles de la forêt - Jun 13 2023

web il décrypte pour nous ses merveilles ses secrets et ses bienfaits vertus médicinales résistance du bois de lune symbolique des arbres vous découvrirez ainsi la bio inspiration ou comment s inspirer des solutions qui existent dans la nature pour

répondre aux problématiques de notre société la nature est en effet le meilleur de

le langage secret des arbres s inspirer des merveilles de la - May 12 2023

web le langage secret des arbres s inspirer des merveilles de la forêt by erwin thoma dans l ogham celtique ou alphabet des arbres chaque lettre incarne l esprit d un arbre À l intérieur de ce coffret repose le langage secret des celtes il suffit de l ouvrir pour y découvrir une méthode de munication ancestrale et un

le langage secret des arbres s inspirer des merve copy - Mar 30 2022

web le langage secret des arbres s inspirer des merve downloaded from a3 phasescientific com by guest walls porter le langage secret des animaux jc lattès en moins d un an kelsea glynn est passée de l adolescente maladroite à la puissante reine alors qu elle est devenue la reine du tearling la bornée et visionnaire

le langage secret des arbres format kindle amazon fr - Apr 11 2023

web s inspirer des merveilles de la forêt que ce soient ceux des parcs et des jardins des forêts ou même des bords de route les arbres nous accompagnent et vivent avec nous dans cet ouvrage captivant erwin thoma forestier de renommée mondiale nous ouvre les portes de ce monde fascinant

le langage secrets des arbres la porte des secrets - Apr 30 2022

web catégories bien être fen shui librairie Ésotérique Étiquettes la forêt les arbres la nature boutique la porte des secrets le langage des arbres librairie ésotérique la portedescrets fr gtin 9782813217998

le langage secret des arbres s inspirer des merve download - Feb 26 2022

web jan 2 2023 4728788 le langage secret des arbres s inspirer des merve 2 6 downloaded from knockinc com on by guest le ramayana vālmīki 1864 les annales politiques et littéraires 1914 le ramayana poème sanscrit valmiki 1864 dictionnaire général et complet de la langue française f raymond 1843 nouveau

le langage secret des arbres broché erwin thoma didier - Jul 14 2023

web sep 18 2018 s inspirer des merveilles de la forêt que ce soient ceux des parcs et des jardins des forêts ou même des bords de route les arbres nous accompagnent et vivent avec nous dans cet ouvrage captivant erwin thoma forestier de renommée mondiale nous ouvre les portes de ce monde fascinant

le langage secret des arbres s inspirer des merveilles de la - Dec 27 2021

web apr 28 2023 que ce soient ceux des parcs et des jardins des forêts ou même des bords de route les arbres nous accompagnent et vivent avec nous dans cet ouvrage captivant erwin thoma forestier de renommée mondiale

le langage secret des arbres s inspirer des merveilles de la forêt - Dec 07 2022

web le langage secret des arbres s inspirer des merveilles de la forêt par erwin thoma aux éditions guy tredaniel les univers l univers de la peinture l univers du papier l univers de la perle l univers du fil les médecine douces livre de méditation et

spiritualité livres sur les cosmétiques maison livre de massage livres sur les

le langage secret des arbres s inspirer des merve - Jan 28 2022

web mar 3 2023 as this le langage secret des arbres s inspirer des merve it ends happening living thing one of the favored book le langage secret des arbres s inspirer des merve collections that we have this is why you remain in the best website to see the unbelievable ebook to have dictionnaire national bescherelle m louis nicolas 1855

langage des arbres un réseau de communication et de - Sep 04 2022

web may 11 2019 dans la vie secrète des arbres peter wohlleben décrit l existence d un très élaboré langage des arbres en effet ceux ci communiquent entre eux au moyen d odeurs et de signaux électriques le réseau racinaire est également utilisé pour échanger des informations sur les insectes présents dans les environs ou sur la sécheresse du

le langage secret des arbres s inspirer des merveilles de la - Aug 03 2022

web march 5th 2020 le langage secret des arbres s inspirer des merveilles de la forêt de erwin thoma date de sortie le 18 septembre 2018 que ce soient ceux des parcs et des jardins des forêts ou même des bords de route les arbres nous accompagnent et

le langage secret des arbres s inspirer des merveilles de la - Oct 05 2022

web april 2nd 2020 le langage secret des arbres s inspirer des merveilles de la forêt l énergie des arbres le pouvoir énergétique des arbres et leur aide dans notre transformation ou ment s inspirer des solutions qui existent dans la nature pour

amazon fr le langage secret des arbres thoma erwin - Aug 15 2023

web s inspirer des merveilles de la forêt que ce soient ceux des parcs et des jardins des forêts ou même des bords de route les arbres nous accompagnent et vivent avec nous dans cet ouvrage captivant erwin thoma forestier de renommée mondiale nous ouvre les portes de ce monde fascinant

season s greetings from the white house book 8th edition - Jul 20 2023

web nov 18 2018 season s greetings from the white house includes more than 200 historical photos and reproductions artfully decorating its 352 pages not to be missed are the

season s greetings from the white house open library - Jun 07 2022

web dec 10 2022 this year white house christmas includes more than 83 600 holiday lights 25 wreaths and 77 christmas trees as over 50 000 visitors visit the white house during

press release first lady jill biden to unveil the 2023 white - Jan 14 2023

web nov 20 2023 the more than 18 foot fraser fir tree from cline church nursery in fleetwood will stand in the center of the blue room greeting around 50 000 guests of

mary evans seeley season s greetings from the white house - Feb 15 2023

web jan 1 2007 season s greetings from the white house the collection of presidential christmas cards messages and gifts seeley mary evans on amazon com free

season s greetings from the white house the collection of - Dec 13 2022

web word play greetings from the other side will make you smile cry open your heart look at things differently heal and grow season s greetings from the white house sep 14

season s greetings from the white house the collections of - Mar 04 2022

web dec 2 2014 season s greetings from the white house the collection of presidential christmas cards messages and gifts updated with obama family cards messages

season s greetings from the white house archives - Oct 23 2023

web season s greetings from the white house is far more than a documentation of christmas cards and messages mary seeley s extensive research enables her to share the human

season s greetings from the white house open library - Jul 08 2022

web 224 pages 29 cm

white house holidays - Sep 22 2023

web aug 10 1996 4 18 17 ratings5 reviews season s greetings from the white house 2018 documents nearly a century of presidential christmas cards messages and gifts from

season s greetings from the white house open library - Feb 03 2022

web dec 1 2022 listen to seasons greeting vol 2 single by the white house connection on apple music stream songs including no room at the inn and sleigh ride album

season s greetings from the white house the collection of - Jan 02 2022

web aug 2 2022 white house washington d c christmas united states americana washington d c presidents united states history washington d c social life

season s greetings from the white house the collection of - Sep 10 2022

web season s greetings from the white house by mary evans seeley august 2002 presidential christmas edition hardcover in english 4 edition

season s greetings from the white house 8th edition - Jun 19 2023

web nov 5 2019 her book season s greetings from the white house is now in its eighth edition it tells the stories of christmas at the white house from calvin coolidge through

season s greetings from the white house hardcover amazon com - Sep 29 2021

[north carolina sends christmas tree to white house and will](#) - Nov 12 2022

web season s greetings from the white house the collection of presidential christmas cards messages and gifts seeley mary e amazon sg books

[what time will white house christmas 2022 air on hgtv](#) - Apr 05 2022

web season s greetings from the white house by mary evans seeley 1998 presidential christmas edition in english

free seasons greetings from the white house - Oct 11 2022

web nov 20 2023 the official white house christmas tree has arrived just in time for the holiday season hours after the president pardoned two turkeys on a day full of time

[season s greetings from the white house nixon library](#) - Mar 16 2023

web nov 21 2023 on monday november 27th 2023 the first lady will unveil this year s white house holiday theme and seasonal décor as part of her joining forces initiative

[jill biden receives the magnificent white house christmas tree](#) - Aug 09 2022

web jan 1 1996 season s greetings from the white house the collection of presidential christmas cards messages and gifts by mary evans seeley 0 ratings 0 want to

[seasons greetings from the white house the](#) - Apr 17 2023

web historian author and collector mary evans seeley presented highlights from her book season s greetings from the white house on december 12 2019 at the gerald r

season s greetings from the white house national archives - May 18 2023

web this historical book is filled with captivating behind the scenes stories and personal recollections of every first family every year since 1923 and interviews with former first

season s greetings from the white house seeley mary evans - May 06 2022

web season s greetings from the white house the collections of presidential christmas cards messages and gifts includes tree lighting speeches from the coolidges

[season s greetings from the white house seeley mary evans](#) - Oct 31 2021

[seasons greeting vol 2 single by the white house connection](#) - Dec 01 2021

web jan 1 2005 season s greetings from the white house season s greetings from the white house seeley mary evans 9780965768450 amazon com books skip to main

season s greetings from the white house the stories of - Aug 21 2023

web after more than 50 000 copies in print it is now in it s eighth edition celebrate with us at this special price this signed

season s greetings from the white house documents