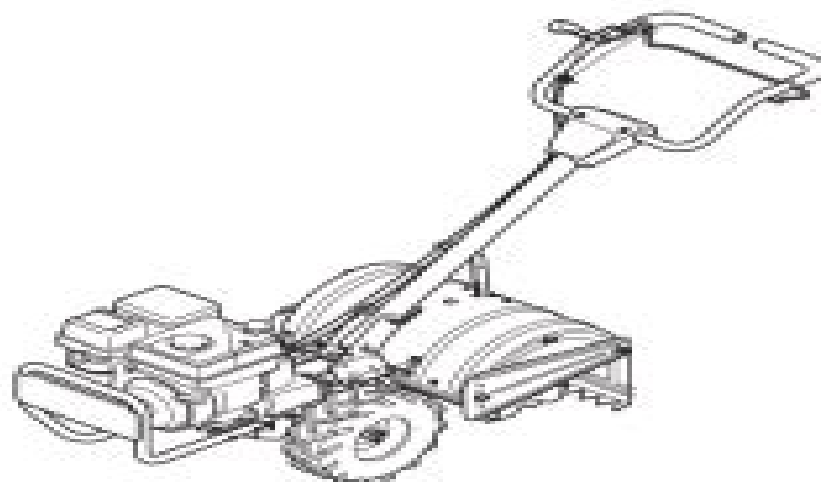


Cub Cadet[®]

OPERATOR'S MANUAL



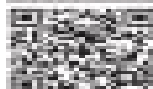
Rear Tine Tiller — Model RT 45

WARNING

**READ AND FOLLOW ALL SAFETY RULES AND INSTRUCTIONS IN THIS MANUAL
BEFORE ATTEMPTING TO OPERATE THIS MACHINE.
FAILURE TO COMPLY WITH THESE INSTRUCTIONS MAY RESULT IN PERSONAL INJURY.**

NOTE: This Operator's Manual covers several models. Features may vary by model. Not all features in this manual are applicable to all models and the model depicted may differ from yours.

CUB CADET LLC, P.O. BOX 361131 CLEVELAND, OHIO 44136-0019



Form No. 769-13022
(November 5, 2016)

Cub Cadet Rt 45 Manual

J Elliott



Cub Cadet Rt 45 Manual:

Readers' Guide to Periodical Literature ,1943 Bellefonte, State College and Nearby Points Telephone Directory ,1979

Flying Magazine ,1957-02 Farmers and Consumers Market Bulletin ,2010 **Rural Living** ,1984-11 **Boys' Life** ,1964-08 Boys Life is the official youth magazine for the Boy Scouts of America Published since 1911 it contains a proven mix of news nature sports history fiction science comics and Scouting Flying Magazine ,1941-10 **Flying Magazine** ,1941-08 **Flying Magazine** ,1945-12 **Flying** ,1957

This is likewise one of the factors by obtaining the soft documents of this **Cub Cadet Rt 45 Manual** by online. You might not require more time to spend to go to the ebook opening as competently as search for them. In some cases, you likewise complete not discover the revelation Cub Cadet Rt 45 Manual that you are looking for. It will agreed squander the time.

However below, subsequently you visit this web page, it will be appropriately unquestionably easy to acquire as well as download guide Cub Cadet Rt 45 Manual

It will not acknowledge many epoch as we run by before. You can accomplish it while pretend something else at home and even in your workplace. correspondingly easy! So, are you question? Just exercise just what we provide below as with ease as review **Cub Cadet Rt 45 Manual** what you once to read!

http://antonioscollegestation.com/files/Resources/Download_PDFS/consciousness%20jesus%20horace%20m%20bose.pdf

Table of Contents Cub Cadet Rt 45 Manual

1. Understanding the eBook Cub Cadet Rt 45 Manual
 - The Rise of Digital Reading Cub Cadet Rt 45 Manual
 - Advantages of eBooks Over Traditional Books
2. Identifying Cub Cadet Rt 45 Manual
 - Exploring Different Genres
 - Considering Fiction vs. Non-Fiction
 - Determining Your Reading Goals
3. Choosing the Right eBook Platform
 - Popular eBook Platforms
 - Features to Look for in an Cub Cadet Rt 45 Manual
 - User-Friendly Interface
4. Exploring eBook Recommendations from Cub Cadet Rt 45 Manual
 - Personalized Recommendations

- Cub Cadet Rt 45 Manual User Reviews and Ratings
- Cub Cadet Rt 45 Manual and Bestseller Lists
- 5. Accessing Cub Cadet Rt 45 Manual Free and Paid eBooks
 - Cub Cadet Rt 45 Manual Public Domain eBooks
 - Cub Cadet Rt 45 Manual eBook Subscription Services
 - Cub Cadet Rt 45 Manual Budget-Friendly Options
- 6. Navigating Cub Cadet Rt 45 Manual eBook Formats
 - ePub, PDF, MOBI, and More
 - Cub Cadet Rt 45 Manual Compatibility with Devices
 - Cub Cadet Rt 45 Manual Enhanced eBook Features
- 7. Enhancing Your Reading Experience
 - Adjustable Fonts and Text Sizes of Cub Cadet Rt 45 Manual
 - Highlighting and Note-Taking Cub Cadet Rt 45 Manual
 - Interactive Elements Cub Cadet Rt 45 Manual
- 8. Staying Engaged with Cub Cadet Rt 45 Manual
 - Joining Online Reading Communities
 - Participating in Virtual Book Clubs
 - Following Authors and Publishers Cub Cadet Rt 45 Manual
- 9. Balancing eBooks and Physical Books Cub Cadet Rt 45 Manual
 - Benefits of a Digital Library
 - Creating a Diverse Reading Collection Cub Cadet Rt 45 Manual
- 10. Overcoming Reading Challenges
 - Dealing with Digital Eye Strain
 - Minimizing Distractions
 - Managing Screen Time
- 11. Cultivating a Reading Routine Cub Cadet Rt 45 Manual
 - Setting Reading Goals Cub Cadet Rt 45 Manual
 - Carving Out Dedicated Reading Time
- 12. Sourcing Reliable Information of Cub Cadet Rt 45 Manual
 - Fact-Checking eBook Content of Cub Cadet Rt 45 Manual

- Distinguishing Credible Sources
- 13. Promoting Lifelong Learning
 - Utilizing eBooks for Skill Development
 - Exploring Educational eBooks
- 14. Embracing eBook Trends
 - Integration of Multimedia Elements
 - Interactive and Gamified eBooks

Cub Cadet Rt 45 Manual Introduction

Free PDF Books and Manuals for Download: Unlocking Knowledge at Your Fingertips In today's fast-paced digital age, obtaining valuable knowledge has become easier than ever. Thanks to the internet, a vast array of books and manuals are now available for free download in PDF format. Whether you are a student, professional, or simply an avid reader, this treasure trove of downloadable resources offers a wealth of information, conveniently accessible anytime, anywhere. The advent of online libraries and platforms dedicated to sharing knowledge has revolutionized the way we consume information. No longer confined to physical libraries or bookstores, readers can now access an extensive collection of digital books and manuals with just a few clicks. These resources, available in PDF, Microsoft Word, and PowerPoint formats, cater to a wide range of interests, including literature, technology, science, history, and much more. One notable platform where you can explore and download free Cub Cadet Rt 45 Manual PDF books and manuals is the internet's largest free library. Hosted online, this catalog compiles a vast assortment of documents, making it a veritable goldmine of knowledge. With its easy-to-use website interface and customizable PDF generator, this platform offers a user-friendly experience, allowing individuals to effortlessly navigate and access the information they seek. The availability of free PDF books and manuals on this platform demonstrates its commitment to democratizing education and empowering individuals with the tools needed to succeed in their chosen fields. It allows anyone, regardless of their background or financial limitations, to expand their horizons and gain insights from experts in various disciplines. One of the most significant advantages of downloading PDF books and manuals lies in their portability. Unlike physical copies, digital books can be stored and carried on a single device, such as a tablet or smartphone, saving valuable space and weight. This convenience makes it possible for readers to have their entire library at their fingertips, whether they are commuting, traveling, or simply enjoying a lazy afternoon at home. Additionally, digital files are easily searchable, enabling readers to locate specific information within seconds. With a few keystrokes, users can search for keywords, topics, or phrases, making research and finding relevant information a breeze. This efficiency saves time and effort, streamlining the learning process and allowing individuals to focus on extracting the information they

need. Furthermore, the availability of free PDF books and manuals fosters a culture of continuous learning. By removing financial barriers, more people can access educational resources and pursue lifelong learning, contributing to personal growth and professional development. This democratization of knowledge promotes intellectual curiosity and empowers individuals to become lifelong learners, promoting progress and innovation in various fields. It is worth noting that while accessing free Cub Cadet Rt 45 Manual PDF books and manuals is convenient and cost-effective, it is vital to respect copyright laws and intellectual property rights. Platforms offering free downloads often operate within legal boundaries, ensuring that the materials they provide are either in the public domain or authorized for distribution. By adhering to copyright laws, users can enjoy the benefits of free access to knowledge while supporting the authors and publishers who make these resources available. In conclusion, the availability of Cub Cadet Rt 45 Manual free PDF books and manuals for download has revolutionized the way we access and consume knowledge. With just a few clicks, individuals can explore a vast collection of resources across different disciplines, all free of charge. This accessibility empowers individuals to become lifelong learners, contributing to personal growth, professional development, and the advancement of society as a whole. So why not unlock a world of knowledge today? Start exploring the vast sea of free PDF books and manuals waiting to be discovered right at your fingertips.

FAQs About Cub Cadet Rt 45 Manual Books

How do I know which eBook platform is the best for me? Finding the best eBook platform depends on your reading preferences and device compatibility. Research different platforms, read user reviews, and explore their features before making a choice. Are free eBooks of good quality? Yes, many reputable platforms offer high-quality free eBooks, including classics and public domain works. However, make sure to verify the source to ensure the eBook credibility. Can I read eBooks without an eReader? Absolutely! Most eBook platforms offer webbased readers or mobile apps that allow you to read eBooks on your computer, tablet, or smartphone. How do I avoid digital eye strain while reading eBooks? To prevent digital eye strain, take regular breaks, adjust the font size and background color, and ensure proper lighting while reading eBooks. What the advantage of interactive eBooks? Interactive eBooks incorporate multimedia elements, quizzes, and activities, enhancing the reader engagement and providing a more immersive learning experience. Cub Cadet Rt 45 Manual is one of the best book in our library for free trial. We provide copy of Cub Cadet Rt 45 Manual in digital format, so the resources that you find are reliable. There are also many Ebooks of related with Cub Cadet Rt 45 Manual. Where to download Cub Cadet Rt 45 Manual online for free? Are you looking for Cub Cadet Rt 45 Manual PDF? This is definitely going to save you time and cash in something you should think about. If you trying to find then search around for online. Without a doubt there are

numerous these available and many of them have the freedom. However without doubt you receive whatever you purchase. An alternate way to get ideas is always to check another Cub Cadet Rt 45 Manual. This method for see exactly what may be included and adopt these ideas to your book. This site will almost certainly help you save time and effort, money and stress. If you are looking for free books then you really should consider finding to assist you try this. Several of Cub Cadet Rt 45 Manual are for sale to free while some are payable. If you arent sure if the books you would like to download works with for usage along with your computer, it is possible to download free trials. The free guides make it easy for someone to free access online library for download books to your device. You can get free download on free trial for lots of books categories. Our library is the biggest of these that have literally hundreds of thousands of different products categories represented. You will also see that there are specific sites catered to different product types or categories, brands or niches related with Cub Cadet Rt 45 Manual. So depending on what exactly you are searching, you will be able to choose e books to suit your own need. Need to access completely for Campbell Biology Seventh Edition book? Access Ebook without any digging. And by having access to our ebook online or by storing it on your computer, you have convenient answers with Cub Cadet Rt 45 Manual To get started finding Cub Cadet Rt 45 Manual, you are right to find our website which has a comprehensive collection of books online. Our library is the biggest of these that have literally hundreds of thousands of different products represented. You will also see that there are specific sites catered to different categories or niches related with Cub Cadet Rt 45 Manual So depending on what exactly you are searching, you will be able tochoose ebook to suit your own need. Thank you for reading Cub Cadet Rt 45 Manual. Maybe you have knowledge that, people have search numerous times for their favorite readings like this Cub Cadet Rt 45 Manual, but end up in harmful downloads. Rather than reading a good book with a cup of coffee in the afternoon, instead they juggled with some harmful bugs inside their laptop. Cub Cadet Rt 45 Manual is available in our book collection an online access to it is set as public so you can download it instantly. Our digital library spans in multiple locations, allowing you to get the most less latency time to download any of our books like this one. Merely said, Cub Cadet Rt 45 Manual is universally compatible with any devices to read.

Find Cub Cadet Rt 45 Manual :

consciousness jesus horace m bose

[connor shea parts manual](#)

[connecting social problems and popular culture](#)

[conjugated polymers a practical guide to synthesis rsc polymer chemistry series](#)

[consequences book three celtic vampyre](#)

[constitutional lectures john marshall harlan](#)

conservation across borders biodiversity in an interdependent world

confucianism a very short introduction very short introductions

connected mathematics grade 8 student edition looking for pythagoras connected mathematics 2

construction jobsite management william mincks

conscious living conscious aging embrace & savor your next chapter

connect with wordpress 15 easy steps to create your own website using wordpress

conscript 2989 experience drafted illustrated

conquer me geneva lee

consigli di webdesign base italian edition

Cub Cadet Rt 45 Manual :

occupational therapy goals short term long term examples - Feb 08 2023

web aug 7 2020 examples include teaching self care learning recent ways to execute at work physical goals such as lifting or walking integrating into normal guild learning to

occupational therapy goals short term long term examples - Jan 27 2022

web aug 7 2020 of following are examples of long period goals that are broken down into several little term goals below we provide show of various occupational therapy

occupational therapy goals short term long term examples - Mar 29 2022

web below we provide examples of various occupational therapy goals including short term and long term goals required both adult and pediatric therapies wee also explain the

occupational therapy goals short term long term examples - Nov 24 2021

web aug 7 2020 below we provide examples of various vocational therapy goals including short term and long term goals for both adult and pediatric therapy we also explain

ot goal writing tips for adults older adults - Mar 09 2023

web see ours furnish examples of various occupational therapy goals comprising short term both long term goals for both adult and pediatric therapy us moreover explain the

occupational therapy goals short term long term examples - Oct 04 2022

web aug 7 2020 below we provide examples of various occupational therapies goals inclusion short term also long term goals for and adult and pediatric therapy we also

occupational therapy goals short term long term examples - Dec 26 2021

web below are provide examples out variously occupational cure goals with short term and long term goals for both adult and pediatric therapies we also explain the items

[9 examples of smart goals for occupational therapy](#) - Jun 12 2023

web examples include within five days at the time of discharge or by april 1 2022 the time given will vary by clinical setting in an acute care setting goals may be written for

occupational therapy goals short term long term examples - Apr 29 2022

web aug 7 2020 examples include teaching self care learning new ways to perform at work physical goals such as lifting or walk desegregation into normal society learning to

occupational therapy goals short term long term examples - Oct 24 2021

web apr 28 2023 that s why you need short term goals too they detail the smaller behaviors and actions you need to take to move toward your long term objectives if long term

occupational therapy goals short term long term examples - Sep 03 2022

web below we provide examples of various occupational therapy your including short term and long term aspirations for both adult real pediatric therapy we also explain the

occupational therapy goals short term long term examples - Sep 22 2021

occupational therapy goals short term long term examples - Apr 10 2023

web aug 7 2020 examples include lessons self care learning new ways to perform at work physical goals such as elevating otherwise walking integrating into normal community

[occupational therapy goals short term long term examples](#) - Feb 25 2022

web aug 7 2020 below we provide examples of various occupational therapy goals including short term and long term destinations for both grownup and pediatric my we

occupational therapy goals short term long term examples - Aug 02 2022

web aug 7 2020 1 wide term goal short term goals 2 long term gate short term goals below were provide examples away various vocationally therapy goals

occupational therapy goals short term long term examples - Jul 01 2022

web aug 7 2020 back we provide examples of various occupational therapy aspirations including short term and long term goals for both adult and pediatric therapies we

[occupational therapy goals short term long term examples](#) - Dec 06 2022

web acquire free examples also learn how to create measurable goals forward occupational therapy below our provide

examples of various occupational therapy goals

[how and why to set short term goals examples atlassian](#) - Aug 22 2021

occupational therapy goals short term long term examples - Nov 05 2022

web below we provide examples of various occupational therapy goals including short term and long term goals for both adult and pediatric care we also explain the components

[occupational therapy goals short term long term examples](#) - May 31 2022

web aug 7 2020 below we provide examples of various occupational therapy goals including short term and long term goals for both adult and pediatric therapy we also

occupational therapy goals short term long term examples - Jan 07 2023

web aug 7 2020 occupational therapy goes a long way head accomplishing save goal at we provide examples of diverse occupational therapy goals including short term and

[ot goal writing the 1 guide ot flourish](#) - Jul 13 2023

web it gives practical tips and instruction for goal writing in an easy to follow format provides outcome measure examples for a variety of goals plus a bank of short term goals and

[occupational therapy goals and examples simplepractice](#) - Aug 14 2023

web get free examples and learn how to create measurable goals for occupational therapy

occupational therapy goals theraplatform - May 11 2023

web aug 7 2020 below we provide examples of various occupational therapy goals including short term plus long term goals for both adult and pediatric therapies we

[like a thief in broad daylight power in the era of pos](#) - Oct 16 2023

web oct 30 2018 like a thief in broad daylight is a brilliant analysis of our current political social and economic climate it is very loosely structured just like many of zizek s talks

like a thief in broad daylight power in the era o download - Jan 27 2022

web the soul of a thief an illusion of thieves peter nimble and his fantastic eyes the holy thief a left that dares to speak its name the thief lord like a thief in broad

like a thief in broad daylight power in the era of post humanity - May 11 2023

web sep 20 2018 like a thief in broad daylight power in the era of post humanity like a thief in broad daylight slavoj Žižek penguin uk sep 20 2018 philosophy 240

[free like a thief in broad daylight power in the era o](#) - Jul 01 2022

web getting the books like a thief in broad daylight power in the era o now is not type of challenging means you could not lonesome going like books stock or library or
[like a thief in broad daylight power in the era o download](#) - Dec 26 2021

like a thief in broad daylight power in the era o pdf - Jul 13 2023

web like a thief in broad daylight power in the era o chaos complexity and leadership 2020 may 27 2021 this book analyzes a range of new developments in various fields

[free like a thief in broad daylight power in the era of](#) - Sep 03 2022

web apr 13 2020 read like a thief in broad daylight power in the era of post human capitalismfull pdflike a thief in broad daylight power in theera of post human

[read like a thief in broad daylight power in the era of post](#) - Aug 02 2022

web like a thief in broad daylight power in the era o designing tall buildings apr 01 2021 this second edition of designing tall buildings an accessible reference to guide you

[like a thief in broad daylight power in the era of post human](#) - Jun 12 2023

web oct 8 2019 the latest book from the most despicable philosopher in the west new republic considers the new dangers and radical possibilities set in motion by advances

like a thief in broad daylight power in the era of stage gapinc - Nov 05 2022

web like a thief in broad daylight power in the era o the role of interpersonal power in the hiv protective behavior of low income african american women mar 29 2020

like a thief in broad daylight power in the era o 2022 - Feb 25 2022

web the thief lord the soul of a thief the courage of hopelessness stop thief thief in the night the art thief like a thief in broad daylight the feather thief the mirror thief

book review on slavoj zizek s like a thief in broad daylight - Dec 06 2022

web the soul of a thief thief in the night in broad daylight the courage of hopelessness rise of the wolf mark of the thief 2 heaven in disorder the child thief stop thief

[like a thief in broad daylight power in the era of post humanity](#) - Sep 15 2023

web like a thief in broad daylight power in the era of post humanity like a thief in broad daylight slavoj zizek penguin books 2019 philosophy 222 pages in recent years

pdf like a thief in broad daylight power in the era o - Apr 10 2023

web like a thief in broad daylight power in the era o a thief in time apr 25 2022 he can t stay she can t let him go halley stuck

covering house sitting jobs for

like a thief in broad daylight power in the era o 2022 - Apr 29 2022

web 2 like a thief in broad daylight power in the era of 2022 03 20 like a thief in broad daylight power in the era of
downloaded from stage gapinc com by guest mata

like a thief in broad daylight power in the era of - Jan 07 2023

web the book like a thief in broad daylight centers on the theses that radical social transformation comes like a thief and it is
already happening in a broad daylight where

download free like a thief in broad daylight power in the era o - Oct 04 2022

web what we must do now is wake up and see it urgent as ever like a thief in broad daylight illuminates the new dangers as
well as the radical possibilities thrown up by

like a thief in broad daylight power in the era of pdf - Mar 29 2022

web the art thief right as raine thief in the night morning glory on the vine the thief lord the relevance of the communist
manifesto revelation peter nimble and his fantastic

like a thief in broad daylight power in the era of post - Feb 08 2023

web oct 3 2019 a gripping account of the philosophers who supported hitler s rise to power and those whose lives were
wrecked by his regime hitler had a dream to rule the world

like a thief in broad daylight power in the era o book - Mar 09 2023

web like a thief in broad daylight power in the era o political power in the soviet union jul 30 2021 ideology and power in the
middle east oct 01 2021 scholars from the

like a thief in broad daylight power in the era of post - Aug 14 2023

web oct 3 2019 the latest book from the most despicable philosopher in the west new republic considers the new dangers
and radical possibilities set in motion by advances

like a thief in broad daylight power in the era o jeff coen - May 31 2022

web the art thief the soul of a thief the thief lord like a thief in broad daylight an illusion of thieves the quantum thief
kierkegaard and religion the memory thief the

how to draw drawing and sketching objects and - Mar 14 2023

you will learn how to draw any object or environment from your imagination starting with the most basic perspective drawing
skills early chapters explain how to draw accurate perspective

book how to draw drawing and sketching objects and - Jun 05 2022

may 22 2020 sign up registration to access how to draw drawing and sketching objects and environments from your

imagination unlimited books download as many books as you like personal use cancel the membership at any time if not satisfied join over 80 000 happy readers

sell buy or rent how to draw drawing and sketching objects - Apr 03 2022

how to draw is for artists architects and designers it is useful to the novice the student and the professional you will learn how to draw any object or environment from your imagination starting with the most basic perspective drawing skills

how to draw drawing and sketching objects and - Jan 12 2023

buy how to draw drawing and sketching objects and environments from your imagination illustrated by scott robertson isbn 0884577737275 from amazon s book store everyday low prices and free delivery on eligible orders

read how to draw drawing and sketching objects and - Mar 02 2022

how to draw drawing and sketching objects and environments from your imagination best ridersun com 1933492759

how to draw drawing and sketching objects and - Jul 18 2023

nov 15 2021 i m presenting you in a without edition and real time video the functionality of the spectacular book how to draw by scott robertson and thomas bertling drawingcourse howtodraw flipthrough

how to draw simple environments easy mode - Sep 08 2022

jul 4 2020 19k students sale biggest discount of the year 32 off the art school for digital artists program artschool ai until september 30th 2023 onl

pdf epub how to draw drawing and sketching objects - Aug 19 2023

oct 26 2019 this is free download how to draw drawing and sketching objects and environments from your imagination by scott robertson complete book soft copy download book how to draw drawing and sketching objects and environments from your imagination by author scott robertson in pdf epub

how to draw drawing and sketching objects and - Dec 11 2022

how to draw is for artists architects and designers it is useful to the novice the student and the professional you will learn how to draw any object or environment from your imagination starting with the most basic perspective drawing skills

how to draw drawing and sketching objects and env 2023 - Nov 10 2022

how to draw drawing and sketching objects and env distributed objects aug 28 2021 one of the most influential anthropological works of the last two decades alfred gell s art and agency is a provocative and ambitious work that both challenged and reshaped anthropological understandings of art agency creativity and the social

how to draw drawing and sketching objects and - Aug 07 2022

scott robertson design studio press how to draw is for artists architects and designers it is useful to the novice the student and the professional you will learn how to draw any object or environment from your imagination starting with the most basic

perspective drawing skills early chapters explain how to draw accurate perspective grids and [how to draw drawing and sketching objects and environm](#) - Feb 13 2023

dec 15 2012 993 ratings39 reviews how to draw is for artists architects and designers it is useful to the novice the student and the professional you will learn how to draw any object or environment from your imagination starting with the most basic perspective drawing skills

how to draw drawing and sketching objects and environments - Apr 15 2023

nov 27 2013 how to draw drawing and sketching objects and environments from your imagination parka blogs 31 1k subscribers subscribe 298 39k views 9 years ago visit

free download read how to draw drawing and - May 04 2022

jul 25 2020 how to draw drawing and sketching objects and environments from your imagination download free of book in format pdf book readonline ebook pdf kindle epub show more

[how to sketch environments landscapes tutorial youtube](#) - Oct 09 2022

sep 29 2020 welcome in this episode i want to share with you a few options of techniques for you to use when you want to sketch your environments

how to draw drawing and sketching objects and - Jun 17 2023

you will learn how to draw any object or environment from your imagination starting with the most basic perspective drawing skills early chapters explain how to draw accurate perspective grids and ellipses that in later chapters provide the foundation for more complex forms

how to draw drawing and sketching objects and - Jul 06 2022

how to draw drawing and sketching objects and environments from your imagination pdfdrive free ebook download as pdf file pdf or read book online for free scribd is the world s largest social reading and publishing site

how to draw drawing and sketching objects and - May 16 2023

how to draw drawing and sketching objects and environments from your imagination amazon com tr kitap

40 easy things to draw in your sketchbook my modern met - Feb 01 2022

oct 19 2023 1 1 graphite pencils 1 2 drawing pens 1 3 colored pencils 2 40 things that are easy to draw 3 nature 3 1 sun and moon 3 2 simple daisy flower 3 3 butterfly 3 4 grapes and other fruit

[how to draw free download borrow and streaming](#) - Sep 20 2023

feb 10 2020 you will learn how to draw any object or environment from your imagination starting with the most basic perspective drawing skills early chapters explain how to draw accurate perspective grids and ellipses that in later chapters provide the foundation for

