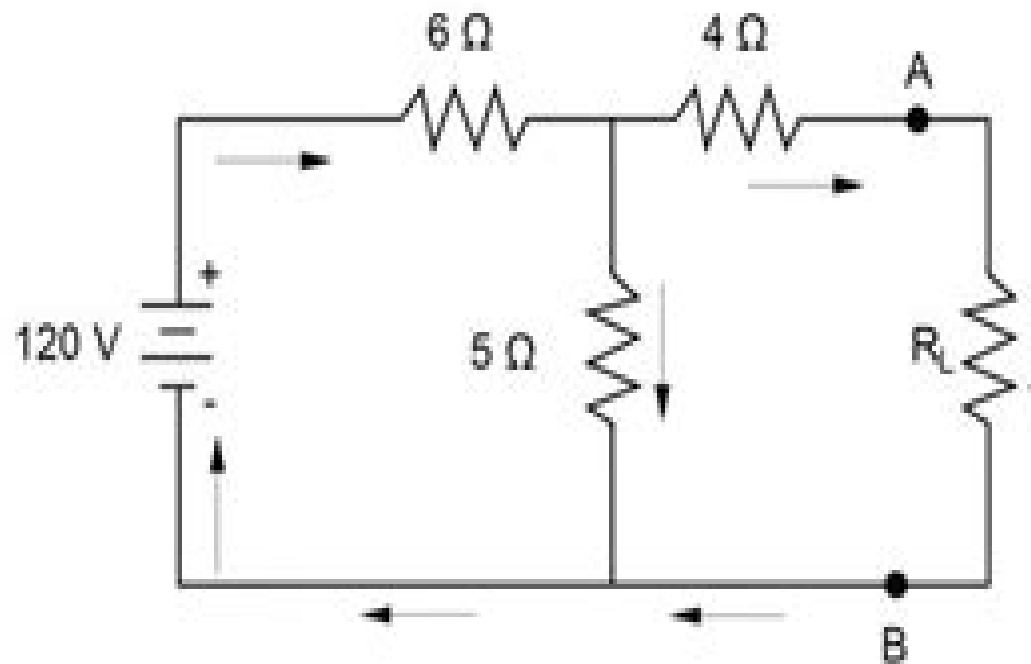


Find the Thevenin equivalent voltage and resistance for the following circuit. The load resistance is shown as R_L .



(a) $V_{TH} = 45.5 \text{ V}; R_{TH} = 6.7 \Omega$

(b) $V_{TH} = 54.5 \text{ V}; R_{TH} = 6.7 \Omega$

(c) $V_{TH} = 45.4 \text{ V}; R_{TH} = 9 \Omega$

(d) $V_{TH} = 54.5 \text{ V}; R_{TH} = 9 \Omega$

Circuit Study Guide

Mehdi Rahmani-Andebili



Circuit Study Guide:

Circuit Analysis (Speedy Study Guide) Speedy Publishing, 2014-12-07 Electrical wiring and circuitry can be a very exacting undertaking with the great potential for negative results occurring if a circuit's connections are off by even one space. A circuit analysis guide provides a breakdown of every possible symbol and mechanism within a circuit diagram in order to educate electricians, engineers, and so on about the proper ways to align a circuit and what common symbols to pay extra focus upon. Studying it and class texts should lead to excellence.

Electrical Circuits Analysis Questions and Answers PDF Arshad Iqbal, The Electrical Circuits Analysis Quiz Questions and Answers PDF Circuits Analysis Competitive Exam Questions Chapter 1 30 Practice Tests Class 8 12 Electronics Textbook Questions for Beginners includes revision guide for problem solving with hundreds of solved questions. Electrical Circuits Analysis Questions and Answers PDF book covers basic concepts, analytical and practical assessment tests. Electrical Circuits Analysis Quiz PDF book helps to practice test questions from exam prep notes. The Electrical Circuits Analysis Quiz Questions and Answers PDF e-Book includes revision guide with verbal, quantitative, and analytical past papers, solved tests. Electrical Circuits Analysis Questions and Answers PDF Free download chapter 1 a book covers solved common questions and answers on chapters Applications of Laplace transform, AC power, AC power analysis, amplifier and operational amplifier circuits, analysis method, applications of Laplace transform, basic concepts, basic laws, capacitors and inductors, circuit concepts, circuit laws, circuit theorems, filters and resonance, first order circuits, Fourier series, Fourier transform, frequency response, higher order circuits and complex frequency, introduction to electric circuits, introduction to Laplace transform, magnetically coupled circuits, methods of analysis, mutual inductance and transformers, operational amplifiers, polyphase circuits, second order circuits, sinusoidal steady state analysis, sinusoids and phasors, three phase circuits, two port networks, waveform and signals, tests for college and university, revision guide. Electronics Interview Questions and Answers PDF Download free eBook's sample covers beginner's solved questions, textbook's study notes to practice online tests. The Electrical Circuits Analysis Interview Questions Chapter 1 30 PDF book includes high school question papers to review, practice tests for exams. Electrical Circuits Analysis Practice Tests a textbook's revision guide with chapters tests for NEET Jobs Entry Level competitive exam. Electrical Circuits Analysis Questions Bank Chapter 1 30 PDF book covers problem solving exam tests from electronics engineering textbook and practical eBook chapter wise as Chapter 1 AC Power Questions Chapter 2 AC Power Analysis Questions Chapter 3 Amplifier and Operational Amplifier Circuits Questions Chapter 4 Analysis Method Questions Chapter 5 Applications of Laplace Transform Questions Chapter 6 Basic Concepts Questions Chapter 7 Basic laws Questions Chapter 8 Capacitors and Inductors Questions Chapter 9 Circuit Concepts Questions Chapter 10 Circuit Laws Questions Chapter 11 Circuit Theorems Questions Chapter 12 Filters and Resonance Questions Chapter 13 First Order Circuits Questions Chapter 14 Fourier Series Questions Chapter 15 Fourier Transform Questions Chapter 16 Frequency Response Questions Chapter 17 Higher Order Circuits and Complex Frequency

Questions Chapter 18 Introduction to Electric Circuits Questions Chapter 19 Introduction to Laplace Transform Questions Chapter 20 Magnetically Coupled Circuits Questions Chapter 21 Methods of Analysis Questions Chapter 22 Mutual Inductance and Transformers Questions Chapter 23 Operational Amplifiers Questions Chapter 24 Polyphase Circuits Questions Chapter 25 Second Order Circuits Questions Chapter 26 Sinusoidal Steady State Analysis Questions Chapter 27 Sinusoids and Phasors Questions Chapter 28 Three Phase circuits Questions Chapter 29 Two Port Networks Questions Chapter 30 Waveform and Signals Questions The AC Power Quiz Questions PDF e Book Chapter 1 interview questions and answers on Apparent power and power factor applications average or real power complex power complex power apparent power and power triangle effective or RMS value exchange of energy between inductor and capacitor instantaneous and average power maximum power transfer power factor correction power factor improvement power in sinusoidal steady state power in time domain and reactive power The AC Power Analysis Quiz Questions PDF e Book Chapter 2 interview questions and answers on Apparent power and power factor applications complex power effective or RMS value instantaneous and average power and power factor correction The Amplifier and Operational Amplifier Circuits Quiz Questions PDF e Book Chapter 3 interview questions and answers on Amplifiers introduction analog computers comparators differential and difference amplifier integrator and differentiator circuits inverting circuits low pass filters non inverting circuits operational amplifiers summing circuits and voltage follower The Analysis Method Quiz Questions PDF e Book Chapter 4 interview questions and answers on Branch current method maximum power transfer theorem mesh current method Millman s theorem node voltage method Norton s theorem superposition theorem and Thevenin s theorem The Applications of Laplace Transform Quiz Questions PDF e Book Chapter 5 interview questions and answers on Circuit analysis introduction network stability network synthesis and state variables The Basic Concepts Quiz Questions PDF e Book Chapter 6 interview questions and answers on Applications charge and current circuit elements power and energy system of units and voltage The Basic Laws Quiz Questions PDF e Book Chapter 7 interview questions and answers on Applications Kirchhoff s laws nodes branches and loops Ohm s law series resistors and voltage division The Capacitors and Inductors Quiz Questions PDF e Book Chapter 8 interview questions and answers on capacitors differentiator inductors integrator and resistivity The Circuit Concepts Quiz Questions PDF e Book Chapter 9 interview questions and answers on Capacitance inductance non linear resistors passive and active elements resistance sign conventions and voltage current relations The Circuit Laws Quiz Questions PDF e Book Chapter 10 interview questions and answers on Introduction to circuit laws Kirchhoff s current law and Kirchhoff s voltage law The Circuit Theorems Quiz Questions PDF e Book Chapter 11 interview questions and answers on Kirchhoff s law linearity property maximum power transfer Norton s theorem resistance measurement source transformation superposition and thevenin s theorem The Filters and Resonance Quiz Questions PDF e Book Chapter 12 interview questions and answers on Band pass filter and resonance frequency response half power frequencies high pass and low pass networks

ideal and practical filters natural frequency and damping ratio passive and active filters The First Order Circuits Quiz Questions PDF e Book Chapter 13 interview questions and answers on Applications capacitor discharge in a resistor establishing a DC voltage across a capacitor introduction singularity functions source free RL circuit source free RC circuit source free RL circuit step and impulse responses in RC circuits step response of an RC circuit step response of an RL circuit transient analysis with PSPICE and transitions at switching time The Fourier Series Quiz Questions PDF e Book Chapter 14 interview questions and answers on Applications average power and RMS values symmetry considerations and trigonometric Fourier series The Fourier transform Quiz Questions PDF e Book Chapter 15 interview questions and answers on applications The Frequency Response Quiz Questions PDF e Book Chapter 16 interview questions and answers on Active filters applications bode plots decibel scale introduction passive filters scaling series resonance and transfer function The Higher Order Circuits and Complex Frequency Quiz Questions PDF e Book Chapter 17 interview questions and answers on Complex frequency generalized impedance in s domain parallel RLC circuit and series RLC circuit The Introduction to Electric Circuits Quiz Questions PDF e Book Chapter 18 interview questions and answers on Constant and variable function electric charge and current electric potential electric quantities and SI units energy and electrical power force work and power The Introduction to Laplace Transform Quiz Questions PDF e Book Chapter 19 interview questions and answers on Convolution integral The Magnetically Coupled Circuits Quiz Questions PDF e Book Chapter 20 interview questions and answers on Energy in coupled circuit ideal autotransformers ideal transformers linear transformers and mutual inductance The Methods of Analysis Quiz Questions PDF e Book Chapter 21 interview questions and answers on Applications circuit analysis with PSPICE mesh analysis mesh analysis with current sources nodal analysis nodal and mesh analysis by inception The Mutual Inductance and Transformers Quiz Questions PDF e Book Chapter 22 interview questions and answers on Analysis of coupling coil auto transformer conductivity coupled equivalent circuits coupling coefficient dot rule energy in a pair of coupled coils ideal transformer linear transformer and mutual inductance The Operational Amplifiers Quiz Questions PDF e Book Chapter 23 interview questions and answers on Cascaded op amp circuits difference amplifier ideal op amp instrumentation amplifier introduction inverting amplifier noninverting amplifier operational amplifiers and summing amplifier The Polyphaser Circuits Quiz Questions PDF e Book Chapter 24 interview questions and answers on Balanced delta connected load balanced wye connected load equivalent y and delta connections phasor voltages two wattmeter method three phase power three phase systems two phase systems unbalanced delta connected load unbalanced y connected load wye and delta systems The Second Order Circuits Quiz Questions PDF e Book Chapter 25 interview questions and answers on Second order op amp circuits applications duality introduction and source free series RLC circuit The Sinusoidal Steady State Analysis Quiz Questions PDF e Book Chapter 26 interview questions and answers on Element responses impedance and admittance mesh analysis nodal analysis op amp ac circuits oscillators phasors voltage and current division in frequency

domain The Sinusoids and Phasors Quiz Questions PDF e Book Chapter 27 interview questions and answers on Applications impedance and admittance impedance combinations introduction phasor relationships for circuit elements phasors and sinusoids The Three Phase Circuits Quiz Questions PDF e Book Chapter 28 interview questions and answers on Applications balanced delta delta connection balanced three phase voltages balanced wye delta connection balanced wye wye connection power in balanced system and un balanced three phase system The Two Port Networks Quiz Questions PDF e Book Chapter 29 interview questions and answers on Admittance parameters g parameters h parameters hybrid parameters impedance parameters interconnection of networks interconnection of two port networks introduction pi equivalent t parameters terminals and ports transmission parameters two port network y parameters and z parameters The Waveform and Signals Quiz Questions PDF e Book Chapter 30 interview questions and answers on Average and effective RMS values combination of periodic functions exponential function non periodic functions periodic functions random signals sinusoidal functions time shift and phase shift trigonometric identities unit impulse function and unit step function *Electronic Circuits Design Questions and Answers PDF* Arshad Iqbal, The Electronic Circuits Design Quiz Questions and Answers PDF Circuits Design Competitive Exam Questions Chapter 1 11 Practice Tests Class 8 12 Electronics Textbook Questions for Beginners includes revision guide for problem solving with hundreds of solved questions Electronic Circuits Design Questions and Answers PDF book covers basic concepts analytical and practical assessment tests Electronic Circuits Design Quiz PDF book helps to practice test questions from exam prep notes The Electronic Circuits Design Quiz Questions and Answers PDF e Book includes revision guide with verbal quantitative and analytical past papers solved tests Electronic Circuits Design Questions and Answers PDF Free download chapter 1 a book covers solved common questions and answers on chapters Amplifier frequency response bipolar junction transistors BJT amplifiers diode applications field effect transistors FET amplifiers introduction to electronics power amplifiers semiconductors basics special purpose diodes transistor bias circuits tests for college and university revision guide Electronics Interview Questions and Answers PDF Download free eBook s sample covers beginner s solved questions textbook s study notes to practice online tests The Electronic Circuits Design Interview Questions Chapter 1 11 PDF book includes high school question papers to review practice tests for exams Electronic Circuits Design Practice Tests a textbook s revision guide with chapters tests for NEET Jobs Entry Level competitive exam Electronic Circuits Design Questions Bank Chapter 1 11 PDF book covers problem solving exam tests from electronics engineering textbook and practical eBook chapter wise as Chapter 1 Amplifier Frequency Response Questions Chapter 2 Bipolar Junction transistors Questions Chapter 3 BJT Amplifiers Questions Chapter 4 Diodes and Applications Questions Chapter 5 FET Amplifiers Questions Chapter 6 Field Effect Transistors Questions Chapter 7 Introduction to Electronics Questions Chapter 8 Power Amplifiers Questions Chapter 9 Semiconductors Basics Questions Chapter 10 Special Purpose Diodes Questions Chapter 11 Transistor Bias Circuits Questions The Amplifier Frequency Response Quiz Questions PDF e Book Chapter 1

interview questions and answers on Basic concepts decibel and low frequency amplifier response The Bipolar Junction Transistors Quiz Questions PDF e Book Chapter 2 interview questions and answers on Basic transistor operation transistor as switch transistor characteristics and parameters and transistor structure The BJT Amplifiers Quiz Questions PDF e Book Chapter 3 interview questions and answers on BJT amplifier operation common base amplifier common collector amplifier common emitter amplifier differential amplifier multistage amplifiers transistor AC equivalent circuits and transistor AC models The Diode Applications Quiz Questions PDF e Book Chapter 4 interview questions and answers on Diode limiters and clippers diode models diode operation diode limiting and clamping circuits integrated circuit voltage regulators power supply filters and capacitor filter atom current in semiconductors full wave and half wave rectifiers materials used in electronics peak inverse voltage PN junction power supply filters regulators transformer coupling voltage current characteristics and voltage multipliers The FET Amplifiers Quiz Questions PDF e Book Chapter 5 interview questions and answers on FET amplifiers applications common drain amplifiers common gate amplifiers and common source amplifiers The Field Effect Transistors Quiz Questions PDF e Book Chapter 6 interview questions and answers on IGBT JFET biasing JFET characteristics JFET transistor MOSFET biasing MOSFET characteristics and Ohmic region The Introduction to Electronics Quiz Questions PDF e Book Chapter 7 interview questions and answers on Atom current in semiconductors materials used in electronics n type and p type semiconductors and PN junction The Power Amplifiers Quiz Questions PDF e Book Chapter 8 interview questions and answers on Class A B and C power amplifiers class amplifiers class B and AB push pull amplifiers The Semiconductors Basics Quiz Questions PDF e Book Chapter 9 interview questions and answers on n type and p type semiconductors conduction in semiconductors atomic structure biasing diode classification of matter on basis of semiconductor theory covalent bonds diode models testing diode and voltage current characteristics of diode The Special Purpose Diodes Quiz Questions PDF e Book Chapter 10 interview questions and answers on Optical diode types of diode varactor diode Zener diode and applications The Transistor Bias Circuits Quiz Questions PDF e Book Chapter 11 interview questions and answers on DC operating point bias methods and voltage divider bias [DC Electrical Circuit Analysis Mehdi Rahmani-Andebili,2020-10-09](#) This study guide is designed for students taking courses in electrical circuit analysis The book includes examples questions and exercises that will help electrical engineering students to review and sharpen their knowledge of the subject and enhance their performance in the classroom Offering detailed solutions multiple methods for solving problems and clear explanations of concepts this hands on guide will improve student s problem solving skills and basic understanding of the topics covered in electric circuit analysis courses *Electrical Circuit Analysis MCQ (Multiple Choice Questions)* Arshad Iqbal, The Electrical Circuit Analysis Multiple Choice Questions MCQ Quiz with Answers PDF Electrical Circuit Analysis MCQ PDF Download Quiz Questions Chapter 1 30 Practice Tests with Answer Key Electronics Questions Bank MCQs Notes includes revision guide for problem solving with hundreds of solved MCQs Electrical Circuit

Analysis MCQ with Answers PDF book covers basic concepts analytical and practical assessment tests Electrical Circuit Analysis MCQ PDF book helps to practice test questions from exam prep notes The Electrical Circuit Analysis MCQs with Answers PDF eBook includes revision guide with verbal quantitative and analytical past papers solved MCQs Electrical Circuit Analysis Multiple Choice Questions and Answers MCQs PDF Free download chapter 1 a book covers solved quiz questions and answers on chapters Applications of Laplace transform ac power ac power analysis amplifier and operational amplifier circuits analysis method applications of Laplace transform basic concepts basic laws capacitors and inductors circuit concepts circuit laws circuit theorems filters and resonance first order circuits Fourier series Fourier transform frequency response higher order circuits and complex frequency introduction to electric circuits introduction to Laplace transform magnetically coupled circuits methods of analysis mutual inductance and transformers operational amplifiers polyphase circuits second order circuits sinusoidal steady state analysis sinusoids and phasors three phase circuits two port networks waveform and signals tests for college and university revision guide Electrical Circuit Analysis Quiz Questions and Answers PDF free download eBook s sample covers beginner s solved questions textbook s study notes to practice online tests The book Electrical Circuit Analysis MCQs Chapter 1 30 PDF includes high school question papers to review practice tests for exams Electrical Circuit Analysis Multiple Choice Questions MCQ with Answers PDF digital edition eBook a study guide with textbook chapters tests for NEET Jobs Entry Level competitive exam Electrical Circuit Analysis Mock Tests Chapter 1 30 eBook covers problem solving exam tests from electronics engineering textbook and practical eBook chapter wise as Chapter 1 AC Power MCQ Chapter 2 AC Power Analysis MCQ Chapter 3 Amplifier and Operational Amplifier Circuits MCQ Chapter 4 Analysis Method MCQ Chapter 5 Applications of Laplace Transform MCQ Chapter 6 Basic Concepts MCQ Chapter 7 Basic laws MCQ Chapter 8 Capacitors and Inductors MCQ Chapter 9 Circuit Concepts MCQ Chapter 10 Circuit Laws MCQ Chapter 11 Circuit Theorems MCQ Chapter 12 Filters and Resonance MCQ Chapter 13 First Order Circuits MCQ Chapter 14 Fourier Series MCQ Chapter 15 Fourier Transform MCQ Chapter 16 Frequency Response MCQ Chapter 17 Higher Order Circuits and Complex Frequency MCQ Chapter 18 Introduction to Electric Circuits MCQ Chapter 19 Introduction to Laplace Transform MCQ Chapter 20 Magnetically Coupled Circuits MCQ Chapter 21 Methods of Analysis MCQ Chapter 22 Mutual Inductance and Transformers MCQ Chapter 23 Operational Amplifiers MCQ Chapter 24 Polyphase Circuits MCQ Chapter 25 Second Order Circuits MCQ Chapter 26 Sinusoidal Steady State Analysis MCQ Chapter 27 Sinusoids and Phasors MCQ Chapter 28 Three Phase circuits MCQ Chapter 29 Two Port Networks MCQ Chapter 30 Waveform and Signals MCQ The AC Power MCQ PDF e Book Chapter 1 practice test to solve MCQ questions on Apparent power and power factor applications average or real power complex power complex power apparent power and power triangle effective or RMS value exchange of energy between inductor and capacitor instantaneous and average power maximum power transfer power factor correction power factor improvement power in sinusoidal steady state power in time

domain and reactive power The AC Power Analysis MCQ PDF e Book Chapter 2 practice test to solve MCQ questions on Apparent power and power factor applications complex power effective or RMS value instantaneous and average power and power factor correction The Amplifier and Operational Amplifier Circuits MCQ PDF e Book Chapter 3 practice test to solve MCQ questions on Amplifiers introduction analog computers comparators differential and difference amplifier integrator and differentiator circuits inverting circuits low pass filters non inverting circuits operational amplifiers summing circuits and voltage follower The Analysis Method MCQ PDF e Book Chapter 4 practice test to solve MCQ questions on Branch current method maximum power transfer theorem mesh current method Millman s theorem node voltage method Norton s theorem superposition theorem and Thevenin s theorem The Applications of Laplace Transform MCQ PDF e Book Chapter 5 practice test to solve MCQ questions on Circuit analysis introduction network stability network synthesis and state variables The Basic Concepts MCQ PDF e Book Chapter 6 practice test to solve MCQ questions on Applications charge and current circuit elements power and energy system of units and voltage The Basic Laws MCQ PDF e Book Chapter 7 practice test to solve MCQ questions on Applications Kirchhoff s laws nodes branches and loops Ohm s law series resistors and voltage division The Capacitors and Inductors MCQ PDF e Book Chapter 8 practice test to solve MCQ questions on capacitors differentiator inductors integrator and resistivity The Circuit Concepts MCQ PDF e Book Chapter 9 practice test to solve MCQ questions on Capacitance inductance non linear resistors passive and active elements resistance sign conventions and voltage current relations The Circuit Laws MCQ PDF e Book Chapter 10 practice test to solve MCQ questions on Introduction to circuit laws Kirchhoff s current law and Kirchhoff s voltage law The Circuit Theorems MCQ PDF e Book Chapter 11 practice test to solve MCQ questions on Kirchhoff s law linearity property maximum power transfer Norton s theorem resistance measurement source transformation superposition and the venin s theorem The Filters and Resonance MCQ PDF e Book Chapter 12 practice test to solve MCQ questions on Band pass filter and resonance frequency response half power frequencies high pass and low pass networks ideal and practical filters natural frequency and damping ratio passive and active filters The First Order Circuits MCQ PDF e Book Chapter 13 practice test to solve MCQ questions on Applications capacitor discharge in a resistor establishing a DC voltage across a capacitor introduction singularity functions source free RL circuit source free RC circuit source free RL circuit step and impulse responses in RC circuits step response of an RC circuit step response of an RL circuit transient analysis with PSPICE and transitions at switching time The Fourier Series MCQ PDF e Book Chapter 14 practice test to solve MCQ questions on Applications average power and RMS values symmetry considerations and trigonometric Fourier series The Fourier transform MCQ PDF e Book Chapter 15 practice test to solve MCQ questions on applications The Frequency Response MCQ PDF e Book Chapter 16 practice test to solve MCQ questions on Active filters applications bode plots decibel scale introduction passive filters scaling series resonance and transfer function The Higher Order Circuits and Complex Frequency MCQ PDF e Book Chapter 17 practice test to solve MCQ questions on Complex

frequency generalized impedance in s domain parallel RLC circuit and series RLC circuit The Introduction to Electric Circuits MCQ PDF e Book Chapter 18 practice test to solve MCQ questions on Constant and variable function electric charge and current electric potential electric quantities and SI units energy and electrical power force work and power The Introduction to Laplace Transform MCQ PDF e Book Chapter 19 practice test to solve MCQ questions on Convolution integral The Magnetically Coupled Circuits MCQ PDF e Book Chapter 20 practice test to solve MCQ questions on Energy in coupled circuit ideal autotransformers ideal transformers linear transformers and mutual inductance The Methods of Analysis MCQ PDF e Book Chapter 21 practice test to solve MCQ questions on Applications circuit analysis with PSPICE mesh analysis mesh analysis with current sources nodal analysis nodal and mesh analysis by inception The Mutual Inductance and Transformers MCQ PDF e Book Chapter 22 practice test to solve MCQ questions on Analysis of coupling coil auto transformer conductivity coupled equivalent circuits coupling coefficient dot rule energy in a pair of coupled coils ideal transformer linear transformer and mutual inductance The Operational Amplifiers MCQ PDF e Book Chapter 23 practice test to solve MCQ questions on Cascaded op amp circuits difference amplifier ideal op amp instrumentation amplifier introduction inverting amplifier noninverting amplifier operational amplifiers and summing amplifier The Polyphaser Circuits MCQ PDF e Book Chapter 24 practice test to solve MCQ questions on Balanced delta connected load balanced wye connected load equivalent y and delta connections phasor voltages the two wattmeter method three phase power three phase systems two phase systems unbalanced delta connected load unbalanced y connected load wye and delta systems The Second Order Circuits MCQ PDF e Book Chapter 25 practice test to solve MCQ questions on Second order op amp circuits applications duality introduction and source free series RLC circuit The Sinusoidal Steady State Analysis MCQ PDF e Book Chapter 26 practice test to solve MCQ questions on Element responses impedance and admittance mesh analysis nodal analysis op amp ac circuits oscillators phasors voltage and current division in frequency domain The Sinusoids and Phasors MCQ PDF e Book Chapter 27 practice test to solve MCQ questions on Applications impedance and admittance impedance combinations introduction phasor relationships for circuit elements phasors and sinusoids The Three Phase Circuits MCQ PDF e Book Chapter 28 practice test to solve MCQ questions on Applications balanced delta delta connection balanced three phase voltages balanced wye delta connection balanced wye wye connection power in balanced system and unbalanced three phase system The Two Port Networks MCQ PDF e Book Chapter 29 practice test to solve MCQ questions on Admittance parameters g parameters h parameters hybrid parameters impedance parameters interconnection of networks interconnection of two port networks introduction pi equivalent t parameters terminals and ports transmission parameters two port network y parameters and z parameters The Waveform and Signals MCQ PDF e Book Chapter 30 practice test to solve MCQ questions on Average and effective RMS values combination of periodic functions exponential function non periodic functions periodic functions random signals sinusoidal functions time shift and phase shift trigonometric identities

unit impulse function and unit step function

ASVAB Study Guide 2025-2026 Jake Nolan, 2024-12-24 Are you ready to conquer the ASVAB and unlock new career opportunities Whether you're aiming for a career in the military or seeking to enhance your problem solving skills this comprehensive guide is your key to success Packed with expertly crafted practice questions detailed explanations and essential strategies this resource is designed to help you prepare for the ASVAB with confidence and precision This book covers all the critical areas of the ASVAB exam from Arithmetic Reasoning and Mathematics Knowledge to Mechanical Comprehension and Electronics Information Each section is broken down into manageable lessons that focus on the core concepts you need to master ensuring you're well prepared for every question type With clear step by step instructions and tips for tackling even the toughest problems you'll feel empowered to take on the test and achieve your best score What sets this guide apart is its emphasis on practical application It's not just about memorizing facts it's about learning how to think critically and solve problems efficiently under pressure Through real world examples practice tests and in depth explanations you'll gain the skills to approach each section of the ASVAB with ease Whether you're struggling with algebraic equations mechanical reasoning or understanding complex diagrams this book provides the tools you need to improve your performance and boost your confidence The key to success is practice and this book delivers with hundreds of ASVAB style questions and answers You'll be able to test your knowledge track your progress and identify areas for improvement Plus the detailed answer explanations will help you understand why each answer is correct allowing you to learn from your mistakes and avoid them in the future Perfect for students job seekers and anyone looking to take the ASVAB this guide is designed to help you succeed Whether you're just starting your preparation or looking to fine tune your skills this book will help you reach your full potential Don't leave your future to chance take control of your ASVAB preparation today and start building the foundation for your success tomorrow

ASVAB STUDY GUIDE & PRACTICE TESTS 2025-2026 Craig T. Smith, Your ASVAB score isn't just a test result it's the key to your future in the U S Armed Forces This comprehensive 2025 2026 edition by Craig T Smith delivers everything you need to dominate the exam and secure your ideal military occupational specialty MOS Inside this all in one guide you'll discover Strategic Test Mastery Conquer CAT ASVAB adaptive testing with pacing tactics smart guessing techniques and stress management protocols 2 500 Realistic Questions Build test endurance with practice drills and full length exams mirroring current formats Branch Specific Guidance Tailored preparation for Air Force Navy Army and Marine Corps technical combat roles Core Subject Deep Dives Math Bootcamps algebra geometry Vocabulary Domination systems and Paragraph Comprehension tactics Technical Section Expertise Electronics schematics vehicle systems mechanical physics and spatial reasoning Digital Advantage Access flashcards quick reference formulas and performance tracking tools AFQT Optimization Precisely target the 4 critical subtests that determine enlistment eligibility Diagnostic Tools Identify weaknesses with baseline assessments and customized study plans Updated for 2025 requirements this independent guide features insider strategies not found in

official materials From foundational arithmetic to advanced electronics each chapter transforms complex concepts into actionable steps with real world military applications Whether you re aiming for Special Operations Cyber Warfare Nuclear Engineering or Aviation roles this system provides the edge to maximize your score potential Includes registration checklists test day protocols and post exam career planning Your mission starts here Equip yourself with the knowledge to excel Disclaimer Not affiliated with or endorsed by the U S Department of Defense or military branches 2025 Craig T Smith All Rights Reserved **Student Study Guide to accompany Physics, 10e** John D. Cutnell, Kenneth W. Johnson, David Young, Shane Stadler, 2014-12-30 This is the Student Study Guide to accompany Physics 10th Edition Cutnell and Johnson s Physics has been the 1 text in the algebra based physics market for almost 20 years Physics 10th Edition brings on new co authors David Young and Shane Stadler both out of LSU The Cutnell offering now includes enhanced features and functionality The authors have been extensively involved in the creation and adaptation of valuable resources for the text The 10th edition includes 160 New Chalkboard videos guided online tutorials in every chapter and vector drawing questions All of these features are designed to encourage students to remain within the WileyPLUS environment as opposed to pursuing the pay for solutions websites that short circuit the learning process *Student Study Guide for Electric Circuits* James W. Nilsson, Susan A. Riedel, 2014-01-01 Circuit Analysis (Speedy Study Guide) Speedy Publishing LLC, 2014-11-29 Electrical wiring and circuitry can be a very exacting undertaking with the great potential for negative results occurring if a circuit s connections are off by even one space A circuit analysis guide provides a breakdown of every possible symbol and mechanism within a circuit diagram in order to educate electricians engineers and so on about the proper ways to align a circuit and what common symbols to pay extra focus upon Studying it and class texts should lead to excellence

Reviewing **Circuit Study Guide**: Unlocking the Spellbinding Force of Linguistics

In a fast-paced world fueled by information and interconnectivity, the spellbinding force of linguistics has acquired newfound prominence. Its capacity to evoke emotions, stimulate contemplation, and stimulate metamorphosis is really astonishing. Within the pages of "**Circuit Study Guide**," an enthralling opus penned by a very acclaimed wordsmith, readers attempt an immersive expedition to unravel the intricate significance of language and its indelible imprint on our lives. Throughout this assessment, we shall delve in to the book is central motifs, appraise its distinctive narrative style, and gauge its overarching influence on the minds of its readers.

http://antonioscollegestation.com/files/browse/fetch.php/descriptive_geometry_worksheets_solution.pdf

Table of Contents Circuit Study Guide

1. Understanding the eBook Circuit Study Guide
 - The Rise of Digital Reading Circuit Study Guide
 - Advantages of eBooks Over Traditional Books
2. Identifying Circuit Study Guide
 - Exploring Different Genres
 - Considering Fiction vs. Non-Fiction
 - Determining Your Reading Goals
3. Choosing the Right eBook Platform
 - Popular eBook Platforms
 - Features to Look for in an Circuit Study Guide
 - User-Friendly Interface
4. Exploring eBook Recommendations from Circuit Study Guide
 - Personalized Recommendations
 - Circuit Study Guide User Reviews and Ratings
 - Circuit Study Guide and Bestseller Lists

5. Accessing Circuit Study Guide Free and Paid eBooks
 - Circuit Study Guide Public Domain eBooks
 - Circuit Study Guide eBook Subscription Services
 - Circuit Study Guide Budget-Friendly Options
6. Navigating Circuit Study Guide eBook Formats
 - ePub, PDF, MOBI, and More
 - Circuit Study Guide Compatibility with Devices
 - Circuit Study Guide Enhanced eBook Features
7. Enhancing Your Reading Experience
 - Adjustable Fonts and Text Sizes of Circuit Study Guide
 - Highlighting and Note-Taking Circuit Study Guide
 - Interactive Elements Circuit Study Guide
8. Staying Engaged with Circuit Study Guide
 - Joining Online Reading Communities
 - Participating in Virtual Book Clubs
 - Following Authors and Publishers Circuit Study Guide
9. Balancing eBooks and Physical Books Circuit Study Guide
 - Benefits of a Digital Library
 - Creating a Diverse Reading Collection Circuit Study Guide
10. Overcoming Reading Challenges
 - Dealing with Digital Eye Strain
 - Minimizing Distractions
 - Managing Screen Time
11. Cultivating a Reading Routine Circuit Study Guide
 - Setting Reading Goals Circuit Study Guide
 - Carving Out Dedicated Reading Time
12. Sourcing Reliable Information of Circuit Study Guide
 - Fact-Checking eBook Content of Circuit Study Guide
 - Distinguishing Credible Sources
13. Promoting Lifelong Learning

- Utilizing eBooks for Skill Development
 - Exploring Educational eBooks
14. Embracing eBook Trends
- Integration of Multimedia Elements
 - Interactive and Gamified eBooks

Circuit Study Guide Introduction

In this digital age, the convenience of accessing information at our fingertips has become a necessity. Whether its research papers, eBooks, or user manuals, PDF files have become the preferred format for sharing and reading documents. However, the cost associated with purchasing PDF files can sometimes be a barrier for many individuals and organizations. Thankfully, there are numerous websites and platforms that allow users to download free PDF files legally. In this article, we will explore some of the best platforms to download free PDFs. One of the most popular platforms to download free PDF files is Project Gutenberg. This online library offers over 60,000 free eBooks that are in the public domain. From classic literature to historical documents, Project Gutenberg provides a wide range of PDF files that can be downloaded and enjoyed on various devices. The website is user-friendly and allows users to search for specific titles or browse through different categories. Another reliable platform for downloading Circuit Study Guide free PDF files is Open Library. With its vast collection of over 1 million eBooks, Open Library has something for every reader. The website offers a seamless experience by providing options to borrow or download PDF files. Users simply need to create a free account to access this treasure trove of knowledge. Open Library also allows users to contribute by uploading and sharing their own PDF files, making it a collaborative platform for book enthusiasts. For those interested in academic resources, there are websites dedicated to providing free PDFs of research papers and scientific articles. One such website is Academia.edu, which allows researchers and scholars to share their work with a global audience. Users can download PDF files of research papers, theses, and dissertations covering a wide range of subjects. Academia.edu also provides a platform for discussions and networking within the academic community. When it comes to downloading Circuit Study Guide free PDF files of magazines, brochures, and catalogs, Issuu is a popular choice. This digital publishing platform hosts a vast collection of publications from around the world. Users can search for specific titles or explore various categories and genres. Issuu offers a seamless reading experience with its user-friendly interface and allows users to download PDF files for offline reading. Apart from dedicated platforms, search engines also play a crucial role in finding free PDF files. Google, for instance, has an advanced search feature that allows users to filter results by file type. By specifying the file type as "PDF," users can find websites that offer free PDF downloads on a specific topic. While downloading Circuit Study Guide free PDF files is convenient, its important to

note that copyright laws must be respected. Always ensure that the PDF files you download are legally available for free. Many authors and publishers voluntarily provide free PDF versions of their work, but it's essential to be cautious and verify the authenticity of the source before downloading Circuit Study Guide. In conclusion, the internet offers numerous platforms and websites that allow users to download free PDF files legally. Whether it's classic literature, research papers, or magazines, there is something for everyone. The platforms mentioned in this article, such as Project Gutenberg, Open Library, Academia.edu, and Issuu, provide access to a vast collection of PDF files. However, users should always be cautious and verify the legality of the source before downloading Circuit Study Guide any PDF files. With these platforms, the world of PDF downloads is just a click away.

FAQs About Circuit Study Guide Books

How do I know which eBook platform is the best for me? Finding the best eBook platform depends on your reading preferences and device compatibility. Research different platforms, read user reviews, and explore their features before making a choice. Are free eBooks of good quality? Yes, many reputable platforms offer high-quality free eBooks, including classics and public domain works. However, make sure to verify the source to ensure the eBook credibility. Can I read eBooks without an eReader? Absolutely! Most eBook platforms offer webbased readers or mobile apps that allow you to read eBooks on your computer, tablet, or smartphone. How do I avoid digital eye strain while reading eBooks? To prevent digital eye strain, take regular breaks, adjust the font size and background color, and ensure proper lighting while reading eBooks. What the advantage of interactive eBooks? Interactive eBooks incorporate multimedia elements, quizzes, and activities, enhancing the reader engagement and providing a more immersive learning experience. Circuit Study Guide is one of the best book in our library for free trial. We provide copy of Circuit Study Guide in digital format, so the resources that you find are reliable. There are also many Ebooks of related with Circuit Study Guide. Where to download Circuit Study Guide online for free? Are you looking for Circuit Study Guide PDF? This is definitely going to save you time and cash in something you should think about. If you trying to find then search around for online. Without a doubt there are numerous these available and many of them have the freedom. However without doubt you receive whatever you purchase. An alternate way to get ideas is always to check another Circuit Study Guide. This method for see exactly what may be included and adopt these ideas to your book. This site will almost certainly help you save time and effort, money and stress. If you are looking for free books then you really should consider finding to assist you try this. Several of Circuit Study Guide are for sale to free while some are payable. If you arent sure if the books you would like to download works with for usage along with your computer, it is possible to download free trials. The free guides make it easy for someone to free access online library for download

books to your device. You can get free download on free trial for lots of books categories. Our library is the biggest of these that have literally hundreds of thousands of different products categories represented. You will also see that there are specific sites catered to different product types or categories, brands or niches related with Circuit Study Guide. So depending on what exactly you are searching, you will be able to choose e books to suit your own need. Need to access completely for Campbell Biology Seventh Edition book? Access Ebook without any digging. And by having access to our ebook online or by storing it on your computer, you have convenient answers with Circuit Study Guide To get started finding Circuit Study Guide, you are right to find our website which has a comprehensive collection of books online. Our library is the biggest of these that have literally hundreds of thousands of different products represented. You will also see that there are specific sites catered to different categories or niches related with Circuit Study Guide So depending on what exactly you are searching, you will be able to choose ebook to suit your own need. Thank you for reading Circuit Study Guide. Maybe you have knowledge that, people have search numerous times for their favorite readings like this Circuit Study Guide, but end up in harmful downloads. Rather than reading a good book with a cup of coffee in the afternoon, instead they juggled with some harmful bugs inside their laptop. Circuit Study Guide is available in our book collection an online access to it is set as public so you can download it instantly. Our digital library spans in multiple locations, allowing you to get the most less latency time to download any of our books like this one. Merely said, Circuit Study Guide is universally compatible with any devices to read.

Find Circuit Study Guide :

[descriptive geometry worksheets solution](#)

[design of fluid thermal systems solution manual download](#)

[dermatology cpt coding guide](#)

[desert immortals series 1 the venomous monster](#)

[design style guide 2015 verilog hdl](#)

[descargar libros de escritores nicaraguenses](#)

[design for software a playbook for developers](#)

[der unvergessene krieg hitler deutschland gegen die sowjetunion 19411945](#)

descargar gratis cocodrilos asesinos

[design of weldments blodgett](#)

[der ferne spiegel das dramatische 14 jahrhundert german edition](#)

[design manual of chemetron fm 200](#)

[desi chut ki hd image](#)

[design manual gearbox presentation ppt](#)

[des moines firefighter civil service study guide](#)

Circuit Study Guide :

wilderness the american mind 4e yale nota bene paperback - Apr 17 2023

web now a fourth edition of this highly regarded work is available with a new preface and epilogue in which nash explores the future of wilderness and reflects on its ethical and biocentric relevance

[wilderness and the american mind roderick nash free](#) - Oct 23 2023

web wilderness and the american mind bookreader item preview edition 4th ed external identifier urn asin 0300091222 urn oclc record 1036963156 openlibrary edition ol15536202m openlibrary work ol48315w page number confidence 94 27 pages 438 ppi 300 related external

wilderness and the american mind by roderick nash open library - Mar 16 2023

web now a fourth edition of this highly regarded work is available with a new preface and epilogue in which nash explores the future of wilderness and reflects on its ethical and biocentric relevance book jacket read more publish date 2001

wilderness and the american mind fourth edition paperback - Jan 14 2023

web wilderness and the american mind is a must read for anyone who wants to understand wilderness and the american conservation movement

[wilderness and the american mind open library](#) - Oct 11 2022

web aug 19 2010 wilderness and the american mind 4th ed by roderick fraser nash 0 ratings 0 want to read 0 currently reading 0 have read this edition doesn t have a description yet can you add one publish date 2001 publisher yale nota bene language english pages 413 subjects frontier and pioneer life nature conservation places united

[wilderness and the american mind by roderick nash goodreads](#) - Sep 22 2023

web may 24 2013 wilderness and the american mind roderick nash 4 12 1 880 ratings97 reviews roderick nash s classic study of america s changing attitudes toward wilderness has received wide acclaim since its initial publication in 1967

wilderness and the american mind amazon com - Aug 21 2023

web sep 1 2001 now a fourth edition of this highly regarded work is available with a new preface and epilogue in which nash explores the future of wilderness and reflects on its ethical and biocentric relevance book recommendations author interviews editors picks and more read it now

[wilderness and the american mind fifth edition google books](#) - Sep 10 2022

web jan 28 2014 roderick frazier nash yale university press jan 28 2014 nature 440 pages the classic study of changing attitudes toward wilderness during american history and the origins of the

wilderness and the american mind fourth edition written by - Aug 09 2022

web wilderness and the american mind fourth edition written by roderick frazier nash 2001 edition 4th edition publisher yale university press paperback books amazon ca

wilderness and the american mind 4th edition chegg - Apr 05 2022

web aug 11 2001 coupon rent wilderness and the american mind fourth edition 4th edition 9780300091229 and save up to 80 on textbook rentals and 90 on used textbooks get free 7 day instant etextbook access

wilderness the american mind 4th edition powell s books - Feb 15 2023

web wilderness the american mind 4th edition roderick frazi nash trade paperback 9780300091229 powell s books

wilderness the american mind 4th edition by roderick frazi nash comment on this title synopses reviews isbn13

9780300091229 isbn10 0300091222 condition standard all product details synopses reviews

wilderness and the american mind fifth edition amazon com - Mar 04 2022

web mar 1 2021 wilderness and the american mind fifth edition audio cd unabridged march 1 2021 roderick nash s classic study of changing attitudes toward wilderness during american history as well as the origins of the environmental and conservation movements has received wide acclaim since its initial publication in 1967

wilderness and the american mind fifth edition google books - Jul 08 2022

web jan 28 2014 roderick frazier nash yale university press jan 28 2014 nature 440 pages the book of genesis for conservationists dave foreman roderick nash s classic study of changing attitudes toward

wilderness and the american mind 4th edition 9780300091229 - Jun 07 2022

web buy wilderness and the american mind 4th edition 9780300091229 by roderick frazier nash for up to 90 off at textbooks com

editions of wilderness and the american mind by roderick nash goodreads - May 18 2023

web by roderick nash first published 1967 sort by format editions showing 1 30 of 33 wilderness and the american mind paperback published september 1st 2001 by yale university press fourth edition paperback 426 pages more details want to read rate this book 1 of 5 stars 2 of 5 stars 3 of 5 stars 4 of 5 stars 5 of 5 stars

wilderness and the american mind paperback january 28 2014 - Jul 20 2023

web jan 28 2014 char miller s foreword provides a twenty first century perspective on how the environmental movement has changed including the ways in which contemporary scholars are reimagining the dynamic relationship between the natural world and the built environment discover the latest buzz worthy books from mysteries and romance to

[pdf wilderness and the american mind semantic scholar](#) - Dec 13 2022

web environmental science history journal of wildlife management roderick nash s classic study of changing attitudes toward wilderness during american history as well as the origins of the environmental and conservation movements has received wide acclaim since its initial publication in 1967

wilderness and the american mind nash roderick free - May 06 2022

web wilderness and the american mind by nash roderick publication date 1982 topics frontier and pioneer life nature conservation publisher new haven conn yale university press edition 3rd ed external identifier urn oclc record 47008832 urn lcp wildernessameric00nash lcpdf 087da825 e9ea 43e5 b77f 597d62d5b9f5

wilderness and the american mind fourth edition alibris - Nov 12 2022

web buy wilderness and the american mind fourth edition by professor roderick nash online at alibris we have new and used copies available in 1 editions starting at 5 19 shop now

wilderness and the american mind yale university press - Jun 19 2023

web jan 28 2014 wilderness and the american mind also available wilderness and the american mind fifth edition by roderick frazier nash foreword by char miller course book 440 pages 5 00 x 7 75 x 1 12 in 1 b w illus paperback 9780300190380 published tuesday 28 jan 2014 27 95 also available at amazon barnes noble bookshop

[mise en oeuvre des politiques sociales 3e a c dit crm vasista](#) - Mar 07 2022

web mise en oeuvre des politiques d empoli dans les régions et les départements mise en oeuvre des politiques sociales 3e a c dit downloaded from crm vasista in by guest

[politique en turquie wikipédia](#) - Jan 17 2023

web la loi turque prescrit qu en temps de campagne électorale des personnalités indépendantes qui n appartiennent à aucun parti politique doivent prendre la tête de

mise en oeuvre des politiques sociales 3e a c dit origin - Dec 16 2022

web this mise en oeuvre des politiques sociales 3e a c dit as one of the most operating sellers here will certainly be among the best options to review mise en oeuvre des

[mise en oeuvre des politiques sociales 3e a c dit ftp bonide](#) - Aug 12 2022

web mise en oeuvre des politiques sociales 3e a c dit les systèmes de mise en œuvre de la protection sociale transports urbains durables la mise en oeuvre des politiques

alternatif politika uluslararası hakemli dergi makale - Apr 08 2022

web the reasons behind the rise and expansion of the islamic state isis in iraq 2003 2018 abstract this study focuses on an important period in iraq s

[mise en oeuvre des politiques sociales 3e a c dit full pdf](#) - Feb 06 2022

web concepts et théories d élaboration et de mise en oeuvre de politiques dans les secteurs public et de l éducation transports urbains durables la mise en oeuvre des

[mise en oeuvre des politiques sociales 3e a c dit full pdf old](#) - Aug 24 2023

web mise en oeuvre des politiques sociales 3e a c dit la mise en oeuvre des politiques sociales diagnostic d intégrité au maroc gouvernance participative et rôle des acteurs

[mise en oeuvre des politiques sociales 3e a c dit download](#) - Dec 04 2021

web concepts et théories d élaboration et de mise en oeuvre de politiques dans les secteurs public et de l éducation mise en oeuvre des politiques sociales 3e édition le volum

mise en oeuvre des politiques sociales 3e a c dit pdf usa - Jul 23 2023

web les cots de mise en oeuvre et de suivi des politiques agricoles font l objet d une attention croissante mesure que les politiques dcouples et cibles se dveloppent ces cots sont

mise en oeuvre des politiques sociales 3e a c dit 2022 ftp - Mar 19 2023

web you to look guide mise en oeuvre des politiques sociales 3e a c dit as you such as by searching the title publisher or authors of guide you in fact want you can discover them

mise en oeuvre des politiques sociales 3e a c dit uniport edu - Oct 14 2022

web aug 21 2023 mise en oeuvre des politiques sociales marie christine parriat sivré 2016 06 08 mise en oeuvre des politiques sociales 3e édition les jalons des

mise en oeuvre des politiques sociales 3e a c dit download - Nov 15 2022

web acquire as without difficulty as download guide mise en oeuvre des politiques sociales 3e a c dit it will not give a positive response many times as we tell before you can

mise en oeuvre des politiques sociales 3e a c dit poczta builduk - Jun 22 2023

web mise en oeuvre des politiques sociales 3e a c dit des intentions aux actes mise en oeuvre des politiques de la mobilité urbaine la mise en oeuvre de la règle de droit

mise en oeuvre des politiques sociales 3e a c dit pdf - Jun 10 2022

web mise en oeuvre des politiques sociales 3e a c dit Œuvre de juste aurèle meissonnier jun 12 2020 rapport annuel sur la mise en oeuvre des règlements no 3 et no 4 du

[mise en oeuvre des politiques sociales 3e a c dit copy](#) - Nov 03 2021

web compulsion currently this mise en oeuvre des politiques sociales 3e a c dit as one of the most operational sellers here will entirely be in the midst of the best options to

mise en oeuvre des politiques sociales 3e a c dit - Jan 05 2022

web mise en oeuvre des politiques sociales 3e a c dit problèmes de mise en oeuvre des politiques publiques les coûts de mise en oeuvre des politiques agricoles la mise

vîzyon belgesi ve eylem plani aile - Sep 13 2022

web ilişkileri de yeni boyutlar kazanmakta giderek gelişen ve çeşitlenen rolleri arasında kolaylaştırıcılık birleştircilik yenilikçilik hizmet sunumu ve savunuculuk ağırlık

mise en oeuvre des politiques sociales 3e a c dit ftp bonide - Jul 11 2022

web le volum bts mise en oeuvre des politiques sociales 6e édition révision la mise en oeuvre des politiques nationales mise en oeuvre des politiques sociales des

türkiye de siyasi modernleşme sosyal bilimler enstitüsü - Feb 18 2023

web bu derste osmanlı İmparatorluğu ndan günümüze kadar gelen dönemde türk siyasi tarihi nin gelişimi türk siyasal yaşamının sosyal ve siyasi olguları güncel olaylarla

mise en oeuvre des politiques sociales 3e a c dit copy - Apr 20 2023

web la mise en oeuvre des politiques de l ue en faveur de l emploi des jeunes point de vue de la société civile l élaboration et la mise en oeuvre des politiques dans les dossiers

mise en oeuvre des politiques sociales 3e a c dit uniport edu - Oct 02 2021

web influence de plus en plus la vie quotidienne transformant les politiques et les pratiques sociales d éducation spécialisée y compris en action educative en milieu ouvert

1923 1932 dönemi türkiye nin dış politikası Özet tarihportali net - May 09 2022

web 1923 1932 dönemi türkiye nin dış politikası türkiye bu dönemde lozan barış antlaşması ile çözüme kavuşturulamamış sorunların çözülmesine yönelik politika izlenmiştir ayrıca

mise en oeuvre des politiques sociales 3e a c dit 2022 - May 21 2023

web 2 mise en oeuvre des politiques sociales 3e a c dit 2022 05 20 russie et des États unis dans l élaboration et la mise en oeuvre de politiques de transports urbains

fiat hitachi d 180 buldozer machineryline - Sep 20 2023

web İspanya dan satılık fiat hitachi d 180 buldozer ilanı Üretim tarihi 2004 qz32187 machineryline türkiye

used and new dozers fiat hitachi machineryzone europe - Aug 07 2022

web 18 000 fiat hitachi d180 10 2006 dozers spain cataluña barcelona price on request subscribe to our newsletter to make sure you don t miss out on a good deal i want to register

fiat hitachi d 180 for sale bulldozer 1530095 truck1 - Jun 17 2023

web bulldozer fiat hitachi d 180 in spain for sale manufacture year 2001 truck1 id 1530095 stay up to date with our offerings
[dozer ehliyeti dozer belgesi buldozer ehliyeti dozer operatörü](#) - Apr 03 2022

web dozer ehliyeti kazı dolgu yarma çekme ve itme işlemlerinde kullanılan iş makineleridir makinenin bıçak takılmamış
şekline traktör de denir bir inşaat çalışmasında ilk giden dozerdir dozerlerin bıçak boyları değişik olup çeşitli işlerde
kullanılma özellikleri vardır dozerler değişik işlerde iş

fiat hitachi d180 bulldozer machineryline info - Sep 08 2022

web fiat hitachi d180 bulldozer sale advertisement from the united kingdom dozer year of manufacture 2000 vn36614
machineryline

fiat hitachi d180 specifications machine market - Jul 18 2023

web fiat hitachi d180 earthmoving equipment dozers fiat hitachi was a joint venture between fiat and hitachi in 1986 to
produce excavators in san mauro torinese italy they also manufactured backhoe loaders and skid steer
used and new crawler dozers fiat hitachi d180 - Feb 13 2023

web search for used and new crawler dozers fiat hitachi d180 amongst 1 ads updated daily on machineryzone the leading
european platform to buy and sell construction equipment

fiat hitachi dozers for sale machinery trader united kingdom - Nov 10 2022

web browse a wide selection of new and used fiat hitachi dozers for sale near you at machinery trader united kingdom top
models include fd175 d180 ad10c and ad14

fiat hitachi d180 bulldozer law trucks law exports - Oct 09 2022

web overview make fiat hitachi model d180 bulldozer registered 2000 registration d180 make an enquiry download
specification message on whatsapp details 2000 fiat hitachi d180 bulldozer excellent condition we can organise shipping to
any worldwide destination contact for a quote related stock

fiat hitachi d180 bulldozer ebay - Mar 02 2022

web oct 11 2023 fiat hitachi d180 bulldozer ebay bulldozer excellent condition classified ad price 0 178 298 6876 contact
seller watch this item this is a classified ad listing there is no bidding on this item so contact the seller for more information
seller feedback scores exclude classified listings stoke on trent united

more details fiat hitachi d180 bulldozer machineryline info - Jan 12 2023

web fiat hitachi d180 bulldozer sale advertisement from the united kingdom dozer year of manufacture 2000 rt34803
machineryline

fiat hitachi d180 dozer service repair manual pdf download - May 04 2022

web aug 24 2020 d180 tables of technical data steering and brakes system steering clutches number of clutch driven discs

sintered the steering system is controlled by two levers located on the left side of the
technical specs d 180 xlt fiat hitachi - Aug 19 2023

web see detailed specifications and technical data for fiat hitachi d 180 xlt manufactured in 2000 2002 get more in depth insight with fiat hitachi d 180 xlt specifications on lectura specs

datos técnicos d 180 lgp fiat hitachi lectura specs - Jun 05 2022

web consulte especificaciones técnicas detalladas y fichas técnicas para fiat hitachi d 180 lgp del año 2000 2002 obtenga una visión más profunda para fiat hitachi d 180 lgp con las fichas técnicas en lectura specs

bulldozer modelleri fiyatları ve Ürünleri hepsiburada - Feb 01 2022

web bulldozer modelleri ve ürünleri en uygun fiyatlar ile hepsiburada com da en ucuz bulldozer modelleri ve kampanyalar hakkında bilgi almak için tıklayın bulldozer ayakkabı markası 2014 yılından beri hüdaverdi spor malzemeleri şirketinin bünyesinde faaliyet halindedir sektöre ilk girdiği günden beri kalite ve fonksiyonelliği

fiat hitachi d180 for sale bulldozer 30000 eur 6812439 - Apr 15 2023

web bulldozer fiat hitachi d180 in italy for sale manufacture year 2000 price 30000 eur truck1 id 6812439 stay up to date with our offerings

dozer dozer dozer ehliyeti dozer operatörlük belgesi - Jul 06 2022

web dozer kazıyıcı düzeltici operatörlük belgesi bulldozer toprak tesviyesinde kullanılan paletli bir iş makinası dozer olarak da bilinir Ön tarafından düşey doğrultuda aşağı yukarı hareket edebilen güçlü bir uzun kepçe vardır buldozer bu kepçenin alt tarafındaki kesici bıçakla toprağı parçalar ve kazıyarak

fiat hitachi dozers for sale machinerytrader com - Mar 14 2023

web browse a wide selection of new and used fiat hitachi dozers for sale near you at machinerytrader com top models include fd175 d180 ad10c and ad14

fiat hitachi bulldozer used fiat hitachi bulldozer for sale - Dec 11 2022

web fiat hitachi bulldozers 12 offers price from 19 000 new and used trusted sellers currently in stock quality construction equipment for sale at machineryline

bulldozer fiat hitachi d 180 truck1 id 845577 - May 16 2023

web bulldozer fiat kobelco d180 lgp 2002 fiat hitachi fd175 6 755 h italy roma 29 000 eur bulldozer fiat hitachi fd175

bulldozer fiat hitachi fd175 1995 fiat allis fd14d spain la coruña bulldozer fiat allis fd14d new holland d180 lgp 2008 9 710 h denmark glostrup