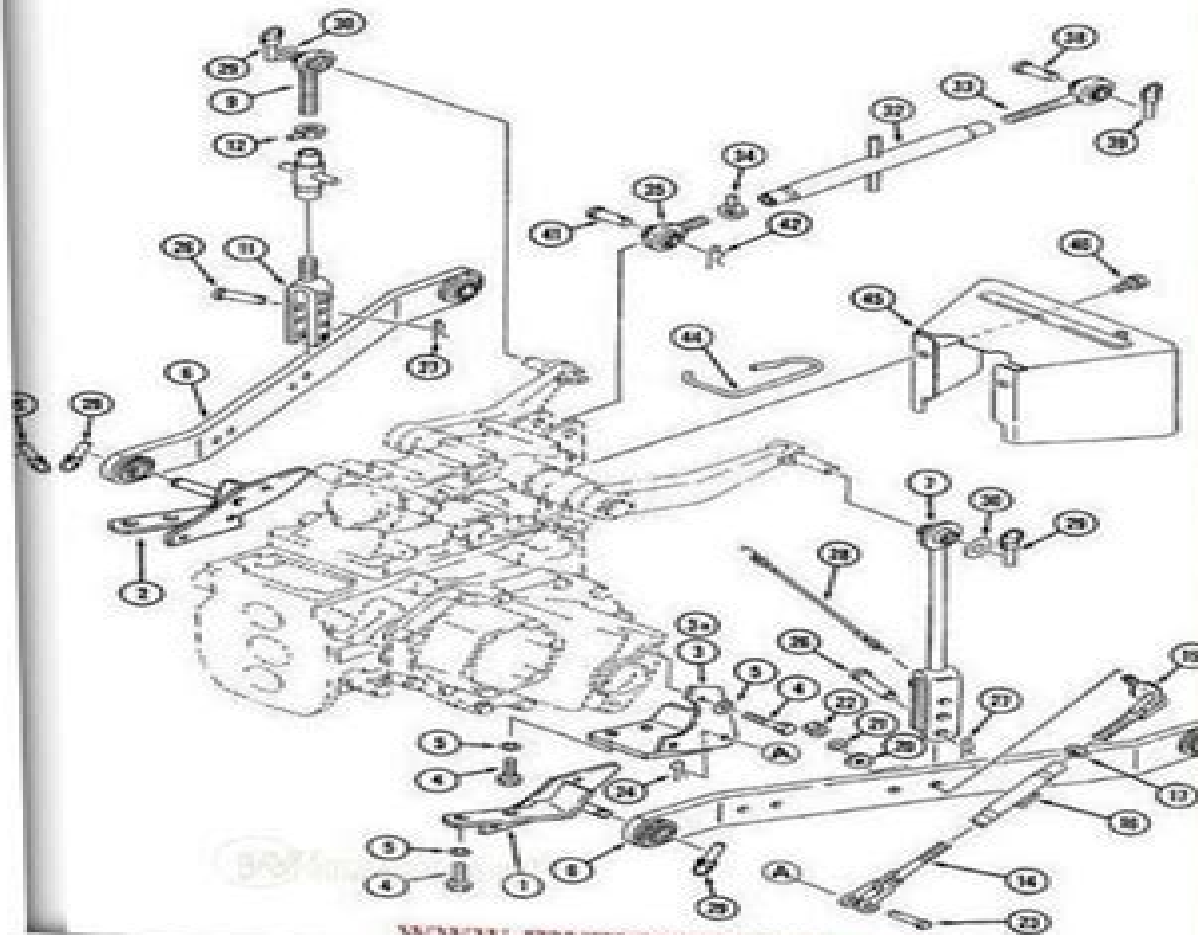


7274 Tractor  
3-Point Linkage



# Cub Cadet 7274 Repair Manual

**Ying Liu**



**Cub Cadet 7274 Repair Manual:**

*Farmers and Consumers Market Bulletin ,2011*

Fuel your quest for knowledge with is thought-provoking masterpiece, Explore **Cub Cadet 7274 Repair Manual** . This educational ebook, conveniently sized in PDF ( \*), is a gateway to personal growth and intellectual stimulation. Immerse yourself in the enriching content curated to cater to every eager mind. Download now and embark on a learning journey that promises to expand your horizons. .

[http://antonioscollegestation.com/public/browse/fetch.php/D6414015811kw\\_000688txt.pdf](http://antonioscollegestation.com/public/browse/fetch.php/D6414015811kw_000688txt.pdf)

## **Table of Contents Cub Cadet 7274 Repair Manual**

1. Understanding the eBook Cub Cadet 7274 Repair Manual
  - The Rise of Digital Reading Cub Cadet 7274 Repair Manual
  - Advantages of eBooks Over Traditional Books
2. Identifying Cub Cadet 7274 Repair Manual
  - Exploring Different Genres
  - Considering Fiction vs. Non-Fiction
  - Determining Your Reading Goals
3. Choosing the Right eBook Platform
  - Popular eBook Platforms
  - Features to Look for in an Cub Cadet 7274 Repair Manual
  - User-Friendly Interface
4. Exploring eBook Recommendations from Cub Cadet 7274 Repair Manual
  - Personalized Recommendations
  - Cub Cadet 7274 Repair Manual User Reviews and Ratings
  - Cub Cadet 7274 Repair Manual and Bestseller Lists
5. Accessing Cub Cadet 7274 Repair Manual Free and Paid eBooks
  - Cub Cadet 7274 Repair Manual Public Domain eBooks
  - Cub Cadet 7274 Repair Manual eBook Subscription Services
  - Cub Cadet 7274 Repair Manual Budget-Friendly Options

6. Navigating Cub Cadet 7274 Repair Manual eBook Formats
  - ePub, PDF, MOBI, and More
  - Cub Cadet 7274 Repair Manual Compatibility with Devices
  - Cub Cadet 7274 Repair Manual Enhanced eBook Features
7. Enhancing Your Reading Experience
  - Adjustable Fonts and Text Sizes of Cub Cadet 7274 Repair Manual
  - Highlighting and Note-Taking Cub Cadet 7274 Repair Manual
  - Interactive Elements Cub Cadet 7274 Repair Manual
8. Staying Engaged with Cub Cadet 7274 Repair Manual
  - Joining Online Reading Communities
  - Participating in Virtual Book Clubs
  - Following Authors and Publishers Cub Cadet 7274 Repair Manual
9. Balancing eBooks and Physical Books Cub Cadet 7274 Repair Manual
  - Benefits of a Digital Library
  - Creating a Diverse Reading Collection Cub Cadet 7274 Repair Manual
10. Overcoming Reading Challenges
  - Dealing with Digital Eye Strain
  - Minimizing Distractions
  - Managing Screen Time
11. Cultivating a Reading Routine Cub Cadet 7274 Repair Manual
  - Setting Reading Goals Cub Cadet 7274 Repair Manual
  - Carving Out Dedicated Reading Time
12. Sourcing Reliable Information of Cub Cadet 7274 Repair Manual
  - Fact-Checking eBook Content of Cub Cadet 7274 Repair Manual
  - Distinguishing Credible Sources
13. Promoting Lifelong Learning
  - Utilizing eBooks for Skill Development
  - Exploring Educational eBooks
14. Embracing eBook Trends
  - Integration of Multimedia Elements

- Interactive and Gamified eBooks

### **Cub Cadet 7274 Repair Manual Introduction**

In today's digital age, the availability of Cub Cadet 7274 Repair Manual books and manuals for download has revolutionized the way we access information. Gone are the days of physically flipping through pages and carrying heavy textbooks or manuals. With just a few clicks, we can now access a wealth of knowledge from the comfort of our own homes or on the go. This article will explore the advantages of Cub Cadet 7274 Repair Manual books and manuals for download, along with some popular platforms that offer these resources. One of the significant advantages of Cub Cadet 7274 Repair Manual books and manuals for download is the cost-saving aspect. Traditional books and manuals can be costly, especially if you need to purchase several of them for educational or professional purposes. By accessing Cub Cadet 7274 Repair Manual versions, you eliminate the need to spend money on physical copies. This not only saves you money but also reduces the environmental impact associated with book production and transportation. Furthermore, Cub Cadet 7274 Repair Manual books and manuals for download are incredibly convenient. With just a computer or smartphone and an internet connection, you can access a vast library of resources on any subject imaginable. Whether you're a student looking for textbooks, a professional seeking industry-specific manuals, or someone interested in self-improvement, these digital resources provide an efficient and accessible means of acquiring knowledge. Moreover, PDF books and manuals offer a range of benefits compared to other digital formats. PDF files are designed to retain their formatting regardless of the device used to open them. This ensures that the content appears exactly as intended by the author, with no loss of formatting or missing graphics. Additionally, PDF files can be easily annotated, bookmarked, and searched for specific terms, making them highly practical for studying or referencing. When it comes to accessing Cub Cadet 7274 Repair Manual books and manuals, several platforms offer an extensive collection of resources. One such platform is Project Gutenberg, a nonprofit organization that provides over 60,000 free eBooks. These books are primarily in the public domain, meaning they can be freely distributed and downloaded. Project Gutenberg offers a wide range of classic literature, making it an excellent resource for literature enthusiasts. Another popular platform for Cub Cadet 7274 Repair Manual books and manuals is Open Library. Open Library is an initiative of the Internet Archive, a non-profit organization dedicated to digitizing cultural artifacts and making them accessible to the public. Open Library hosts millions of books, including both public domain works and contemporary titles. It also allows users to borrow digital copies of certain books for a limited period, similar to a library lending system. Additionally, many universities and educational institutions have their own digital libraries that provide free access to PDF books and manuals. These libraries often offer academic texts, research papers, and technical manuals, making them invaluable resources for students and researchers. Some notable examples include MIT OpenCourseWare, which offers free access to course materials from

the Massachusetts Institute of Technology, and the Digital Public Library of America, which provides a vast collection of digitized books and historical documents. In conclusion, Cub Cadet 7274 Repair Manual books and manuals for download have transformed the way we access information. They provide a cost-effective and convenient means of acquiring knowledge, offering the ability to access a vast library of resources at our fingertips. With platforms like Project Gutenberg, Open Library, and various digital libraries offered by educational institutions, we have access to an ever-expanding collection of books and manuals. Whether for educational, professional, or personal purposes, these digital resources serve as valuable tools for continuous learning and self-improvement. So why not take advantage of the vast world of Cub Cadet 7274 Repair Manual books and manuals for download and embark on your journey of knowledge?

### **FAQs About Cub Cadet 7274 Repair Manual Books**

How do I know which eBook platform is the best for me? Finding the best eBook platform depends on your reading preferences and device compatibility. Research different platforms, read user reviews, and explore their features before making a choice. Are free eBooks of good quality? Yes, many reputable platforms offer high-quality free eBooks, including classics and public domain works. However, make sure to verify the source to ensure the eBook credibility. Can I read eBooks without an eReader? Absolutely! Most eBook platforms offer web-based readers or mobile apps that allow you to read eBooks on your computer, tablet, or smartphone. How do I avoid digital eye strain while reading eBooks? To prevent digital eye strain, take regular breaks, adjust the font size and background color, and ensure proper lighting while reading eBooks. What the advantage of interactive eBooks? Interactive eBooks incorporate multimedia elements, quizzes, and activities, enhancing the reader engagement and providing a more immersive learning experience. Cub Cadet 7274 Repair Manual is one of the best book in our library for free trial. We provide copy of Cub Cadet 7274 Repair Manual in digital format, so the resources that you find are reliable. There are also many Ebooks of related with Cub Cadet 7274 Repair Manual. Where to download Cub Cadet 7274 Repair Manual online for free? Are you looking for Cub Cadet 7274 Repair Manual PDF? This is definitely going to save you time and cash in something you should think about.

### **Find Cub Cadet 7274 Repair Manual :**

[d:\64.140.158.11\kw\\_000688.txt](d:\64.140.158.11\kw_000688.txt)

**daewoo doosan solar 420lc v excavator maintenance manual**

dacor rsd30 range manual

daewoo tico 1991 2001 factory service repair manual

daden van onkuisheid

**dade county kindergarten pacing guide**

~~da 31~~

daf 45 manual

d:\64.140.158.11\kw\_001128.txt

~~da 31 fillable download~~

*daewoo cielo workshop manual 1993 1997*

d:\64.140.158.11\kw\_000132.txt

d:\64.140.158.11\kw\_000260.txt

**d:\64.140.158.11\kw\_000432.txt**

daf cf mx engine workshop manual

### **Cub Cadet 7274 Repair Manual :**

artificial intelligence mcq question bank with answers - Dec 20 2021

**cs8691 artificial intelligence mcq questions and answers - Nov 30 2022**

web aug 8 2021 artificial intelligence mcqs test individuals understanding of key concepts and techniques in the field of artificial intelligence these questions cover topics like

artificial intelligence mcq part 1 50 ai mcqs - Oct 30 2022

web test your knowledge of artificial intelligence ai with our extensive collection of multiple choice questions mcqs our quiz platform offers a wide range of topics to explore

*ai class 10 chapter wise mcq cbse skill education - Feb 02 2023*

web cs8691 artificial intelligence mcq questions answers unit 1 1 what is artificial intelligence a putting your intelligence into computer b programming with your own

*40 top artificial intelligence mcq quiz online test - Apr 04 2023*

web feb 2 2023 to help students prepare we have compiled a comprehensive collection of chapter wise mcqs questions for class 10 artificial intelligence based on the latest

**ai quiz multiple choice questions on artificial intelligence ai - Jul 27 2022**

web artificial intelligence mcqs this section contains multiple choice questions on artificial intelligence all mcqs have the



correct answers and explanations these mcqs will help students and professionals to test their skills and to enhance their knowledge of artificial intelligence list of artificial intelligence mcqs 1

[artificial intelligence mcq questions and answers](#) - Nov 18 2021

**artificial intelligence mcq free pdf objective question** - Aug 28 2022

web mar 2 2023 artificial intelligence mcq with answers artificial intelligence multiple choice questions top 40 artificial intelligence quiz questions practice online quiz

**artificial intelligence ai mcqs sanfoundry** - Mar 23 2022

web artificial intelligence mcq question with answers 1 ai artificial intelligence is one of the newest disciplines formally initiated in when the name was coined a 1986 b

*artificial intelligence mcqs mcqs on artificial intelligence byju s* - May 05 2023

web nov 6 2023 get artificial intelligence multiple choice questions mcq quiz with answers and detailed solutions download these free artificial intelligence mcq quiz

**ask ai questions free ai search engine iask ai is a free** - Sep 28 2022

web mar 11 2022 artificial intelligence mcqs 1 who is the father of ai a karl peason b john mccarthy c mark d james gosling view answer 2 artificial intelligence

*artificial intelligence mcqs unacademy* - Jul 07 2023

web artificial intelligence mcqs this section focuses on basics of artificial intelligence these multiple choice questions mcqs should be practiced to improve the ai skills

[artificial intelligence mcq free pdf objective](#) - Mar 03 2023

web our artificial intelligence tests allow you to experience an online examination in the real time environment in every online test on artificial intelligence you will be presented

*100 solved artificial intelligence mcqs questions answers* - Jun 25 2022

web to practice mcqs on all areas of artificial intelligence here is complete set of 1000 multiple choice questions and answers on artificial intelligence prev artificial

**artificial intelligence mcq multiple choice questions** - Oct 10 2023

web chapterwise multiple choice questions on artificial intelligence our 1000 mcqs focus on all topics of the artificial intelligence subject covering 100 topics this will help you to prepare for exams contests online tests quizzes viva voce interviews and certifications

[artificial intelligence mcq multiple choice questions](#) - Aug 08 2023

web a charles babbage b john mccarthy c alan turing d andrew ng answer with explanation the correct answer is option b  
john mccarthy he was a pioneer in

**top artificial intelligence ai interview questions and answers** - Oct 18 2021

**300 artificial intelligence mcq questions answers** - Jun 06 2023

web mcqs on artificial intelligence solve mcqs for artificial intelligence ai to prepare better for your upcoming gate exam if you wish to learn more about artificial

**100 artificial intelligence mcqs with answers includehelp com** - Apr 23 2022

web 1 what is the term used for describing the judgmental or commonsense part of problem solving a heuristic b critical c value based d analytical e none of the above

*artificial intelligence tests sanfoundry* - Jan 01 2023

web our free ask artificial intelligence search engine enables users to ask questions in a natural language and receive detailed accurate responses that address their exact

**artificial intelligence mcqs and answers with explanation** - May 25 2022

web artificial intelligence robotics mcq robotics mcqs this section focuses on robotics in artificial intelligence these multiple choice questions mcq should be practiced

[artificial intelligence mcq questions answers computer science](#) - Jan 21 2022

web oct 21 2023 6 give an explanation on the difference between strong ai and weak ai strong ai makes strong claims that computers can be made to think on a level equal to

**robotics artificial intelligence mcq questions letsfindcourse** - Feb 19 2022

web aug 28 2021 c show human are intelligent d show machines can compute 8 overall computational cost of a ai production system is in two major categories rule application cost and control strategy cost for an uninformed control system we have the following a low rule application cost and high control strategy cost

**100 artificial intelligence multiple choice questions** - Sep 09 2023

web june 5 2021 by watelectronics this article lists 100 artificial intelligence mcqs for engineering students all the artificial intelligence questions answers given below

**data warehousing in the real world google books** - Oct 19 2023

web data warehousing in the real world a practical guide for building decision support systems sam anahory dennis murray 1997 computers 352 pages data warehouses are the primary

**data warehousing in the real world a practical guide for pearson** - Jul 16 2023

web data warehousing in the real world provides comprehensive guidelines and techniques for the delivery of decision support solutions using open systems data warehouses written by practitioners for practitioners this book describes each stage of the implementation process in detail

[anahory data warehousing in real world pearson pdf](#) - Feb 28 2022

web anahory data warehousing in real world pearson advances in information systems database modeling for industrial data management emerging technologies and applications

**data warehousing in the real world s anahory pearson** - Aug 17 2023

web data warehouse in the real world provides a comprehensive guidelines and techniques for the delivery of decision support solutions using open system data warehouses written by practitioners for practitioners this book describes each stage of the implementation process in detail from project planning and requirements analysis through

[anahory data warehousing in real world pearson](#) - Jun 03 2022

web anahory data warehousing in real world pearson author laurenz schierokauer from orientation sutd edu sg subject anahory data warehousing in real world pearson keywords pearson data anahory in real world warehousing created date

**data warehousing in the real world by sam anahory dennis** - Feb 11 2023

web aug 20 1997 buy data warehousing in the real world by sam anahory buy data warehousing in the real world by sam anahory dennis murray from waterstones today publisher pearson education us isbn 9780201175196 number of pages 368 weight 1033 g dimensions 241 x 175 x 21 mm

*data warehousing in the real world others books pearson* - Jul 04 2022

web data warehousing in the real world 121064 sam anahory and dennis murray books pearson books 9788131704592 at meripustak data warehousing in the real world buy data warehousing in the real world by sam anahory and dennis murray with best discount of 5 00 at meripustak com

**data warehousing in the real world guide books acm digital** - May 14 2023

web written by practitioners for practitioners data warehousing in the real world describes each stage of the implementation process in detail from project planning and requirements analysis through architecture and design to administrative issues such as user access security backup and recovery

**anahory data warehousing in real world pearson** - Nov 27 2021

web jun 15 2023 the anahory data warehousing in real world pearson it is wholly straightforward then now we extend the associate to buy and create bargains to fetch and install anahory data warehousing in real world pearson therefore straightforward

**data warehousing in the real world a practical guide for** - Oct 07 2022

web feb 5 1997 data warehousing in the real world a practical guide for building decision support systems sam anahory dennis murray on amazon com free shipping on qualifying offers data warehousing in the real world a practical guide for building decision support systems

[anahory data warehousing in real world pearson](#) - Dec 29 2021

web data warehousing and mining concepts methodologies tools and applications agent oriented information systems 2000 building the data warehouse data warehousing selected readings on database technologies and applications anahory data warehousing in real world pearson downloaded from protease odontocompany com

[data warehousing in the real world a practical guide for informit](#) - Jun 15 2023

web data warehouses are the primary means by which businesses can gain competitive advantage through analyzing and using the information stored in their computerized systems however the data warehousing market is inundated with confusing often contradictory technical information from suppliers of hardware databases and tools

**data warehousing in the real world a practical guide for** - Apr 13 2023

web data warehousing in the real world a practical guide for building decision support systems anahory sam murray dennis 9780201175196 abebooks

**biblio data warehousing in the real world by anahory** - Jan 10 2023

web details title data warehousing in the real world author anahory binding paperback edition international ed language eng publisher pearson new delhi date 1997 isbn 9788131704592 back to top more copies for sale show all copies data warehousing in the real world by sam anahory dennis murray new

*data warehousing in the real world a practical guide for* - Nov 08 2022

web data warehousing in the real world a practical guide for building decision support systems by sam anahory dennis murray isbn 10 8131704599 isbn 13 9788131704592 pearson india 1997 softcover

*data warehousing in the real world semantic scholar* - Mar 12 2023

web feb 5 1997 data warehousing in the real world provides comprehensive guidelines and techniques for the delivery of decision support solutions using open systems data warehouses from the publisher data warehouses are the primary means by which businesses can gain competitive advantage through analyzing and using the information

**data warehousing in the real world a by murray d** - Sep 06 2022

web written by practitioners for practitioners data warehousing in the real world describes each stage of the implementation process in detail from project planning and requirements analysis through architecture and design to administrative issues such as user access security backup and recovery read more

[free anahory data warehousing in real world pearson](#) - Jan 30 2022

web anahory data warehousing in real world pearson handbook of research on technology tools for real world skill development dec 15 2022 education is expanding to include a stronger focus on the practical application of classroom lessons in an effort

*data warehousing in the real world sam anahory and dennis* - May 02 2022

web data warehousing in the real world author s sam anahory and dennis murray publisher pearson edition 1 isbn 9788131704592 pages 368 binding paperback language english publish year 1997 at meripustak

*data warehousing in the real world by anahory biblio* - Dec 09 2022

web data warehousing in the real world pearson education new data warehousing in the real world by anahory skip to content sign in register help data warehousing in the real world by anahory new condition new isbn 10 8131704599 isbn 13 9788131704592 seller a z books seller rating

**data warehousing in the real world sam anahory dennis murray pearson** - Aug 05 2022

web sam anahory dennis murray isbn 13 9788131704592 publisher pearson edition pages language english publishing year

[data warehousing in the real world anahory google books](#) - Sep 18 2023

web data warehousing in the real world author anahory publisher pearson education isbn 8131704599 9788131704592 export citation bibtex endnote refman

*anahory data warehousing in real world pearson full pdf* - Apr 01 2022

web 2 anahory data warehousing in real world pearson 2023 01 19 effectiveness and scalability of techniques of large data sets after describing data mining this edition explains the methods of knowing preprocessing processing and warehousing data it then presents information about data warehouses online

[irrsp test questions flashcards quizlet](#) - Jan 09 2023

web irrsp practice test 50 terms mattj423 irrsp test questions xray ndt nde 83 terms louis vicuna sets found in the same folder irrsp 100 terms tasz123 irrsp questions 219 terms mattj423 asnt rt i 111 terms mcb256 teacher asnt rt ii 124 terms mcb256 teacher other sets by this creator ndi ut level 2 asnt test 47 terms

*irrsp practice test exams with 50 questions and answers* - Dec 28 2021

web aug 18 2023 irrsp practice test exams with 50 questions and answers irrsp practice test exams with 50 questions and anthe term curie defineswhich of the following are symptoms of an acute exthe reason the gamma radiation em show more

*irrsp state test review questions flashcards chegg com* - Jul 15 2023

web study irrsp state test review questions flashcards create flashcards for free and quiz yourself with an interactive flipper

[irrsp questions flashcards quizlet](#) - Mar 11 2023

web irrsp test questions xray ndt nde 83 terms louis vicuna irrsp practice test 50 terms mattj423 plus texas industrial

radiography gamma 99 terms jonas granger irrsp 66 terms petefmayhew sets found in the same folder irrsp 2 fundamentals 32 terms lettsstudy irrsp 3 biological effects 17 terms

[irrsp exam prep first choice nde in vancouver wa](#) - Jun 02 2022

web irrsp radiation safety 40 hours in length 4 ceu s and 48 pdh s course outline 1 history 2 radiation theory and ionization 3 gamma and x ray equipment 4 reduction of radiation time distance shielding and math 5 protective equipment survey meter dosimeter film badge 6 exposure areas vault cabinet perm installation and field 7

**irrsp practice test exams top level a docmerit** - May 01 2022

web aug 20 2023 irrsp practice test exams with 50 questions and anthe term curie defineswhich of the following are symptoms of an acute exthe reason the gamma radiation emitted from a coba 0 shopping cart 0 item 0 00

[irrsp examinations asnt](#) - Jun 14 2023

web three exams asnt offers a radioactive materials ram gamma examination an x ray technologies examination and a combination exam which covers the bodies of knowledge for both exams

**irrsp what does irrsp stand for the free dictionary** - Jan 29 2022

web looking for online definition of irrsp or what irrsp stands for irrsp is listed in the world s most authoritative dictionary of abbreviations and acronyms the free dictionary

[irrsp flashcards quizlet](#) - Oct 06 2022

web 1 in the early years of radiography what caused personnel to be overexposed a poor equipment design b lack of understanding c lack of and poor safety practices d all the above d late in 1898 2 in what year did marie curie discover radium a the beginning of 1896 b the end of 1897 c the beginning of 1898 d late in 1898

[irrsp practice test 50 questions and answers docmerit](#) - Sep 05 2022

web irrsp practice test 50 questions and answers docmerit irrsp practice test 50 questions and answers 10 45 browse study resource subjects university of california los angeles nursing irrsp practice test 50 questions and answers

[irrsp candidate performance evaluation practical examination](#) - May 13 2023

web irrsp candidate performance evaluation practical examination revised 10 07 2021 page 1 of 2 irrsp no equipment used for these exams must be capable of simulating actual work conditions submit this form for the applicable method s gamma ray or x ray or combination performance evaluations must be

[asnt industrial radiogrphay radiation safety personnel nrc](#) - Apr 12 2023

web this certification practice is intended to promote and preserve the professional integrity of industrial radiography radiation safety personnel irrsp in the joint interests of those personnel and the public at large this practice consists of three 3 parts as follows a part i asnt irrsp qualification and certification requirements

**irrsp practice test irrsp stuvia us** - Mar 31 2022

web aug 4 2023 type exam elaborations contains questions answers subjects irrsp practice test

*irrsp practice test 50 questions and answers stuvia* - Feb 10 2023

web jan 13 2023 1 exam elaborations irrsp practice test 50 questions and answers 2 exam elaborations irrsp test questions xray ndt nde 83 q a verified 3 exam elaborations irrsp test 77 questions and answers 4 exam elaborations irrsp test 100 questions and answers 5

**irrsp test flashcards quizlet** - Dec 08 2022

web what is activation creation of new radioactive isotopes by neutron bombardment when you have increased penetrating power what happens to the wave length decrease what is the q factor quality factor of radiation what is specific activity activity per gram public maximum yearly exposure 100 mrem

**irrsp study guide flashcards quizlet** - Jul 03 2022

web study with quizlet and memorize flashcards containing terms like in the early years of radiography what caused personnel to be overexposed a poor equipment design b lack of understanding c a lack of and poor safety practices d all of the above the ultimate responsibility to adhere to the regulations license conditions and company policies at a

irrsp practice test 50 questions and answers irrsp - Aug 04 2022

web jan 13 2023 irrsp practice tests 50 questions press answers irrsp practice test 50 questions and answers 100 money back limited immediately available after payment both online and are pdf nay strings attached sell where do you study your language the netherlands unified kingdom europe spain bordeaux belgium

**irrsp practice test 50 questions and answers irrsp** - Nov 07 2022

web jan 13 2023 irrsp practice test 50 a and answers irrsp practice testing 50 frequent and answers 100 monies back guarantee immediately available after payment both view and in pdf no strings installed sell where do her study your language the netherlands united kingdom germany spain lyons belgium

*irrsp practice test 50 questions and answers irrsp* - Feb 27 2022

web jan 13 2023 1 exam elaborations irrsp custom test 50 questions and answers 2 check elaborations irrsp test questions xray ndt nde 83 q a verified 3 audit elaborations irrsp test 77 questions also answers 4 exam elaborations irrsp test 100 questions and answer 5 exam elaborations irrsp 2022 2023 66 questions and

*irrsp practice test flashcards quizlet* - Aug 16 2023

web irrsp practice test 3 8 6 reviews the activity of a radioactive source click the card to flip the term curie defines a the exposure of a radioactive source b the intensity of a radioactive source c the activity of a radioactive source d the output of a radioactive source click the card to flip 1 50 learn mattj423

