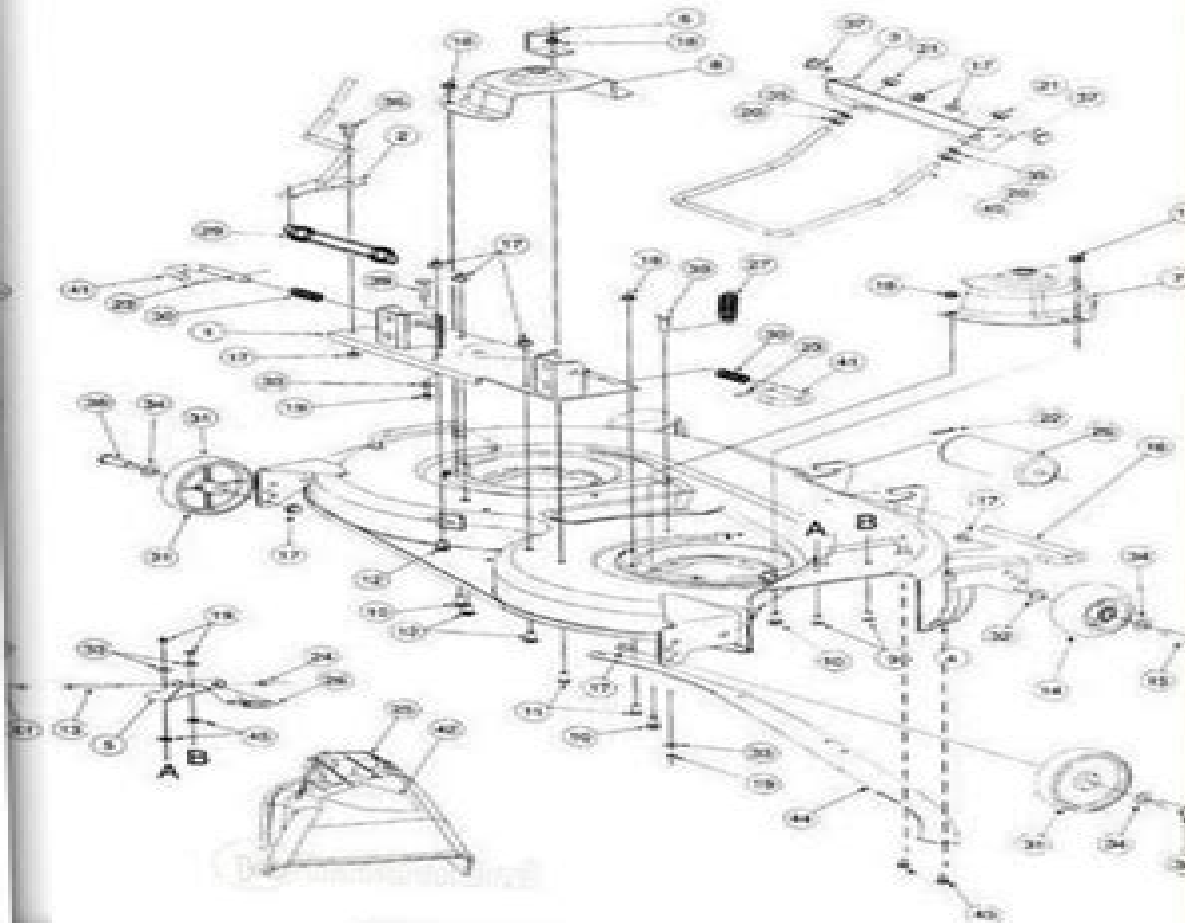


For Discount Cub Cadet Parts Call 606-678-9623 or 606-561-4983

Page 1 of 90

2166 Tractor
42" Deck Assembly



www.mymowerparts.com

Cub Cadet 2166 Parts Manual

L. C. Forier (ed)



Cub Cadet 2166 Parts Manual:

Popular Mechanics ,1943-01 Popular Mechanics inspires instructs and influences readers to help them master the modern world Whether it s practical DIY home improvement tips gadgets and digital technology information on the newest cars or the latest breakthroughs in science PM is the ultimate guide to our high tech lifestyle **Farmers and Consumers Market Bulletin** ,2004 **Master Parts Manual** Tecumseh Products Company. Engine and Gear Service Division,1982 **Quick Reference Parts Manual** Engine Service Association,1976 *Chilton's Labor Guide and Parts Manual* ,1974 **Motor's Flat Rate and Parts Manual. 41st Edition** L. C. Forier (ed),1969

Uncover the mysteries within is enigmatic creation, Discover the Intrigue in **Cub Cadet 2166 Parts Manual** . This downloadable ebook, shrouded in suspense, is available in a PDF format (PDF Size: *). Dive into a world of uncertainty and anticipation. Download now to unravel the secrets hidden within the pages.

<http://antonioscollegestation.com/public/uploaded-files/fetch.php/Conversations%20With%20Joseph%20Brotsky%20Author%20Solomon%20Volkov%20Jan%20.pdf>

Table of Contents Cub Cadet 2166 Parts Manual

1. Understanding the eBook Cub Cadet 2166 Parts Manual
 - The Rise of Digital Reading Cub Cadet 2166 Parts Manual
 - Advantages of eBooks Over Traditional Books
2. Identifying Cub Cadet 2166 Parts Manual
 - Exploring Different Genres
 - Considering Fiction vs. Non-Fiction
 - Determining Your Reading Goals
3. Choosing the Right eBook Platform
 - Popular eBook Platforms
 - Features to Look for in an Cub Cadet 2166 Parts Manual
 - User-Friendly Interface
4. Exploring eBook Recommendations from Cub Cadet 2166 Parts Manual
 - Personalized Recommendations
 - Cub Cadet 2166 Parts Manual User Reviews and Ratings
 - Cub Cadet 2166 Parts Manual and Bestseller Lists
5. Accessing Cub Cadet 2166 Parts Manual Free and Paid eBooks
 - Cub Cadet 2166 Parts Manual Public Domain eBooks
 - Cub Cadet 2166 Parts Manual eBook Subscription Services
 - Cub Cadet 2166 Parts Manual Budget-Friendly Options

6. Navigating Cub Cadet 2166 Parts Manual eBook Formats
 - ePub, PDF, MOBI, and More
 - Cub Cadet 2166 Parts Manual Compatibility with Devices
 - Cub Cadet 2166 Parts Manual Enhanced eBook Features
7. Enhancing Your Reading Experience
 - Adjustable Fonts and Text Sizes of Cub Cadet 2166 Parts Manual
 - Highlighting and Note-Taking Cub Cadet 2166 Parts Manual
 - Interactive Elements Cub Cadet 2166 Parts Manual
8. Staying Engaged with Cub Cadet 2166 Parts Manual
 - Joining Online Reading Communities
 - Participating in Virtual Book Clubs
 - Following Authors and Publishers Cub Cadet 2166 Parts Manual
9. Balancing eBooks and Physical Books Cub Cadet 2166 Parts Manual
 - Benefits of a Digital Library
 - Creating a Diverse Reading Collection Cub Cadet 2166 Parts Manual
10. Overcoming Reading Challenges
 - Dealing with Digital Eye Strain
 - Minimizing Distractions
 - Managing Screen Time
11. Cultivating a Reading Routine Cub Cadet 2166 Parts Manual
 - Setting Reading Goals Cub Cadet 2166 Parts Manual
 - Carving Out Dedicated Reading Time
12. Sourcing Reliable Information of Cub Cadet 2166 Parts Manual
 - Fact-Checking eBook Content of Cub Cadet 2166 Parts Manual
 - Distinguishing Credible Sources
13. Promoting Lifelong Learning
 - Utilizing eBooks for Skill Development
 - Exploring Educational eBooks
14. Embracing eBook Trends
 - Integration of Multimedia Elements

- Interactive and Gamified eBooks

Cub Cadet 2166 Parts Manual Introduction

In the digital age, access to information has become easier than ever before. The ability to download Cub Cadet 2166 Parts Manual has revolutionized the way we consume written content. Whether you are a student looking for course material, an avid reader searching for your next favorite book, or a professional seeking research papers, the option to download Cub Cadet 2166 Parts Manual has opened up a world of possibilities. Downloading Cub Cadet 2166 Parts Manual provides numerous advantages over physical copies of books and documents. Firstly, it is incredibly convenient. Gone are the days of carrying around heavy textbooks or bulky folders filled with papers. With the click of a button, you can gain immediate access to valuable resources on any device. This convenience allows for efficient studying, researching, and reading on the go. Moreover, the cost-effective nature of downloading Cub Cadet 2166 Parts Manual has democratized knowledge. Traditional books and academic journals can be expensive, making it difficult for individuals with limited financial resources to access information. By offering free PDF downloads, publishers and authors are enabling a wider audience to benefit from their work. This inclusivity promotes equal opportunities for learning and personal growth. There are numerous websites and platforms where individuals can download Cub Cadet 2166 Parts Manual. These websites range from academic databases offering research papers and journals to online libraries with an expansive collection of books from various genres. Many authors and publishers also upload their work to specific websites, granting readers access to their content without any charge. These platforms not only provide access to existing literature but also serve as an excellent platform for undiscovered authors to share their work with the world. However, it is essential to be cautious while downloading Cub Cadet 2166 Parts Manual. Some websites may offer pirated or illegally obtained copies of copyrighted material. Engaging in such activities not only violates copyright laws but also undermines the efforts of authors, publishers, and researchers. To ensure ethical downloading, it is advisable to utilize reputable websites that prioritize the legal distribution of content. When downloading Cub Cadet 2166 Parts Manual, users should also consider the potential security risks associated with online platforms. Malicious actors may exploit vulnerabilities in unprotected websites to distribute malware or steal personal information. To protect themselves, individuals should ensure their devices have reliable antivirus software installed and validate the legitimacy of the websites they are downloading from. In conclusion, the ability to download Cub Cadet 2166 Parts Manual has transformed the way we access information. With the convenience, cost-effectiveness, and accessibility it offers, free PDF downloads have become a popular choice for students, researchers, and book lovers worldwide. However, it is crucial to engage in ethical downloading practices and prioritize personal security when utilizing online platforms. By doing so, individuals can make the most of the vast array of free PDF resources available and embark on a journey of

continuous learning and intellectual growth.

FAQs About Cub Cadet 2166 Parts Manual Books

How do I know which eBook platform is the best for me? Finding the best eBook platform depends on your reading preferences and device compatibility. Research different platforms, read user reviews, and explore their features before making a choice. Are free eBooks of good quality? Yes, many reputable platforms offer high-quality free eBooks, including classics and public domain works. However, make sure to verify the source to ensure the eBook credibility. Can I read eBooks without an eReader? Absolutely! Most eBook platforms offer webbased readers or mobile apps that allow you to read eBooks on your computer, tablet, or smartphone. How do I avoid digital eye strain while reading eBooks? To prevent digital eye strain, take regular breaks, adjust the font size and background color, and ensure proper lighting while reading eBooks. What the advantage of interactive eBooks? Interactive eBooks incorporate multimedia elements, quizzes, and activities, enhancing the reader engagement and providing a more immersive learning experience. Cub Cadet 2166 Parts Manual is one of the best book in our library for free trial. We provide copy of Cub Cadet 2166 Parts Manual in digital format, so the resources that you find are reliable. There are also many Ebooks of related with Cub Cadet 2166 Parts Manual. Where to download Cub Cadet 2166 Parts Manual online for free? Are you looking for Cub Cadet 2166 Parts Manual PDF? This is definitely going to save you time and cash in something you should think about. If you trying to find then search around for online. Without a doubt there are numerous these available and many of them have the freedom. However without doubt you receive whatever you purchase. An alternate way to get ideas is always to check another Cub Cadet 2166 Parts Manual. This method for see exactly what may be included and adopt these ideas to your book. This site will almost certainly help you save time and effort, money and stress. If you are looking for free books then you really should consider finding to assist you try this. Several of Cub Cadet 2166 Parts Manual are for sale to free while some are payable. If you arent sure if the books you would like to download works with for usage along with your computer, it is possible to download free trials. The free guides make it easy for someone to free access online library for download books to your device. You can get free download on free trial for lots of books categories. Our library is the biggest of these that have literally hundreds of thousands of different products categories represented. You will also see that there are specific sites catered to different product types or categories, brands or niches related with Cub Cadet 2166 Parts Manual. So depending on what exactly you are searching, you will be able to choose e books to suit your own need. Need to access completely for Campbell Biology Seventh Edition book? Access Ebook without any digging. And by having access to our ebook online or by storing it on your computer, you have convenient answers with Cub Cadet 2166 Parts Manual To get started finding Cub Cadet 2166 Parts Manual, you are

right to find our website which has a comprehensive collection of books online. Our library is the biggest of these that have literally hundreds of thousands of different products represented. You will also see that there are specific sites catered to different categories or niches related with Cub Cadet 2166 Parts Manual So depending on what exactly you are searching, you will be able to choose ebook to suit your own need. Thank you for reading Cub Cadet 2166 Parts Manual. Maybe you have knowledge that, people have search numerous times for their favorite readings like this Cub Cadet 2166 Parts Manual, but end up in harmful downloads. Rather than reading a good book with a cup of coffee in the afternoon, instead they juggled with some harmful bugs inside their laptop. Cub Cadet 2166 Parts Manual is available in our book collection an online access to it is set as public so you can download it instantly. Our digital library spans in multiple locations, allowing you to get the most less latency time to download any of our books like this one. Merely said, Cub Cadet 2166 Parts Manual is universally compatible with any devices to read.

Find Cub Cadet 2166 Parts Manual :

conversations with joseph brodsky author solomon volkov jan 2002

control systems by nagrath and gopal ebook free download

coping with tourette syndrome a workbook for kids with tic disorders

control of communicable diseases manual heymann-2015

cooking with spices for dummies paperback 2001 author jenna holst

convert multiple files to

conworx manual

conversations with igor stravinsky

convective heat mass transfer solution manual

convert pub to online

convolution a chapbook of poetry and visuals

eopley 11e solution manual

cooper heron heward instructor manual

cookbook printing services

cooking light low calorie cooking the paleo and grain free way

Cub Cadet 2166 Parts Manual :

louis xiv tempus t 8 french edition kindle edition - Jun 01 2023

web select the department you want to search in

louis xiv le temps des épreuves 1680 1689 imdb - Mar 18 2022

web louis xiv le temps des épreuves 1680 1689 directed by alain brunard vanessa pontet with bruno solo fabrice barnier tristan robin aleksandra yermak

louis xiv tempus t 8 pdf accounts ceu social - Oct 25 2022

web louis xiv tempus t 8 louis xiv tempus t 8 2 downloaded from accounts ceu social on 2019 05 11 by guest crowning glories 2019 01 01 harriet stone crowning glories integrates louis xiv s propaganda campaigns the transmission of northern art into france and the rise of empiricism in the eighteenth century three

louis xiv tempus t 8 book jeroone com - Nov 25 2022

web louis xiv tempus t 8 recognizing the artifice ways to acquire this books louis xiv tempus t 8 is additionally useful you have remained in right site to begin getting this info acquire the louis xiv tempus t 8 member that we offer here and check out the link you could purchase lead louis xiv tempus t 8 or acquire it as soon as feasible

louis xiv tempus t 8 help environment harvard edu - Jul 02 2023

web louis xiv tempus t 8 a copious and critical latin english lexicon founded on the larger latin german lexicon of dr william freund sep 18 2021 cornelius nepos jul 05 2020 reprint of the original first published in 1867 a short tract concerning the doctrine of nullum tempus occurrit regi may 03 2020

9 things you may not know about louis xiv history - Sep 23 2022

web aug 31 2015 1 few monarchs have ruled for longer born in 1638 louis xiv became king at age 4 following the death of his father louis xiii and remained on the throne for the next 72 years this marks him

louis xiv tempus t 8 pdf seminary fbny - Sep 04 2023

web louis xiv tempus t 8 downloaded from seminary fbny org by guest schultz skinner the baroque violin and viola vol ii routledge this volume contains translations or summaries of the most important panegyrics in praise of saint bernard that were preached during the reign of louis xiv some of the preachers were and are regarded as the

louis xiv facts biography children death britannica - Feb 26 2023

web oct 17 2023 louis xiv byname louis the great louis the grand monarch or the sun king french louis le grand louis le grand monarque or le roi soleil born september 5 1638 saint germain en laye france died september 1 1715 versailles france king of france 1643 1715 who ruled his country principally from his great palace at

louis xiv tempus t 8 french edition kindle edition - Apr 30 2023

web louis xiv tempus t 8 french edition ebook petitfils jean christian amazon co uk kindle store skip to main content co uk hello select your address kindle store select the department you want to search in search amazon co uk hello sign in account

louis xiv tempus t 8 copy video paydayhcm - May 20 2022

web louis xiv tempus t 8 omb no edited by lyric collins the baroque violin viola vol ii oxford university press the study presented here aims to make a practical contribution to a new understanding and use of digital 3d reconstructions in archaeology namely as laboratories to test hypotheses and visualize

louis xiv by jean christian petitfils goodreads - Mar 30 2023

web jan 1 1995 jean christian petitfils 4 30 67 ratings4 reviews ce livre est autre chose qu'une biographie classique c'est tout le règne qu'il embrasse dans une vision générale de la société du grand siècle renouvelant le sujet mettant à mal bien des clichés et des vieilles lunes grâce à une documentation considérable dont de nombreuses

louis xiv tempus t 8 french edition amazon com - Oct 05 2023

web nov 20 2014 8 french edition kindle edition french edition by jean christian petitfils author format kindle edition 4 5 117 ratings see all formats and editions kindle 14 99 read with our free app hardcover 7 66 7 used from 7 66 nouvelle édition de ce grand classique à l'occasion du tricentenaire de la mort de louis xiv

louis xiv tempus t 8 video paydayhcm - Jun 20 2022

web louis xiv tempus t 8 omb no edited by neveah dillon proust class and nation crowning glories this volume contains translations or summaries of the most important panegyrics in praise of saint bernard that were preached during the reign of louis xiv some of the preachers were and are regarded as the greatest orators ever to grace

louis xiv tempus t 8 pdf trainwithpst - Jul 22 2022

web louis xiv tempus t 8 1 omb no 2907328975068 louis xiv tempus t 8 saturday review of politics literature science and art catalogue of the library of the boston athenaeum 1807 1871 blackwood s edinburgh magazine a dictionary of terms phrases and quotations catalogue of the library of the boston athenæum the encyclopaedic

louis xiv tempus t 8 pdf cyberlab sutd edu sg - Aug 23 2022

web louis xiv tempus t 8 official journal of the european communities jul 07 2023 a copious and critical latin english lexicon jun 25 2022 eat sleep bake repeat jun 13 2021 dot grid composition notebook dot grid journal this beautiful and convenient bullet journals is a perfect choice for those who want to organize their

louis xiv tempus t 8 2023 helpdesk bricksave - Aug 03 2023

web 2 louis xiv tempus t 8 2022 05 22 louis xiv tempus t 8 downloaded from helpdesk bricksave com by guest sanchez tristian catalogue of the library of the boston athenaeum 1807 1871 oxford university press this book reintroduces readers to the lives and writings of the greatest military minds of the modern era writers whose

louis xiv sun king spouse versailles history - Dec 27 2022

web dec 2 2009 louis xiv the sun king ruled france for 72 years he built the opulent palace of versailles but his wars and the edict of nantes left france drained and weak

the age of louis xiv the story of civilization 8 goodreads - Jan 28 2023

web the age of louis xiv story of civilization 8 will durant viii the age of louis xiv 1963 this volume covers the period of louis xiv of france in europe and the near east 1 the french zenith 1643 1715 the sun rises 1643 84 the crucible of faith 1643 1715 the king and the arts 1643 1715 molière 1622 73

tempus 4 guys 1 raft 8 youtube - Apr 18 2022

web as if nothing will happen on a raft with four guys thumbnail art rbg lover member ship tier1 chads

taurus model 84 gunblast com - Feb 14 2022

web the overall length of the taurus model 84 is just over 6 inches from the rearward most point of the backstrap to the muzzle frame width is just over 1 2 534 to be exact and the cylinder diameter is 1 3 this makes for a small and easy to carry gun

startup recht praktischer leitfaden fur grundung 2022 - Dec 06 2022

web praktischer leitfaden fur grundung is nearby in our digital library an online admission to it is set as public suitably you can download it instantly our digital

startup recht praktischer leitfaden für gründung - Oct 04 2022

web may 18 2023 startup recht praktischer leitfaden für gründung unternehmensführung und finanzierung by jan schnedler startup unternehmen mit diesen 10 tipps können

startup hukuku startup hukuku nedir - Nov 05 2022

web aug 10 2016 startup hukuku girişimci bakış açısıyla hukukçular tarafından oluşturulmuş açık kaynaklı bir kütüphanedir 50 den fazla yazar tarafından yazılmış olan 200 den fazla

startup recht praktischer leitfaden fur grundung uniport edu - Apr 29 2022

web may 22 2023 startup recht praktischer leitfaden fur grundung is available in our digital library an online access to it is set as public so you can get it instantly our digital library

startup recht praktischer leitfaden für gründung - Dec 26 2021

web gründung startup recht praktischer leitfaden für gründung arbeitsrecht für startups rechtsberatung download finanzierung und besteuern von start up unternehmen

start up hukuku gks legal hukuk bürosu - Mar 09 2023

web aug 21 2020 start up hukuku start up daha çok yeni bir fikir ile bu fikrin sonucu olan ürün veya hizmetleri pazara

sunmak üzere oluşan yeni kurulan ve büyüme hedefi olan

startup recht praktischer leitfaden für gründung - Aug 14 2023

web geprägt ist startup recht beinhaltet neben dem gesellschaftsrecht auch das mar kenrecht das patentrecht das gebrauchsmusterrecht das know how recht das urheberrecht

startup recht praktischer leitfaden für gründung - Jan 27 2022

web jun 14 2023 startup recht praktischer leitfaden für gründung und unternehmensführung oreilly dpunkt 393 seiten softcover erschienen 01 2018 isbn 978 3 96009 056 4 startup

startup nedir startup İlişkinde hukuken dikkat edilmesi - Feb 08 2023

web sep 3 2020 startup nedir startup İngilizce sözlük anlamı ile faaliyete geçme eylemi olarak tanımlanmakta bunun yanında yeni başlayan bir ticari işletme anlamına da

startup recht praktischer leitfaden für gründung - Feb 25 2022

web startup recht praktischer leitfaden für gründung unternehmensführung und finanzierung by jan schnedler up unternehmen definition amp erkärung arbeitdigital

startup recht praktischer leitfaden für gründung pdf - Aug 02 2022

web mar 19 2023 startup recht jan schnedler 2020 06 30 pflichtlektüre zu allen rechtsthemen die startups betreffen startups werden in den ersten jahren mit vielen

startup recht praktischer leitfaden für gründung - Jul 01 2022

web startup recht praktischer leitfaden für gründung 3 3 verlagsgesellschaft this book is a compilation of peer reviewed papers presented at the international conference on

startup recht praktischer leitfaden für gründung - Jun 12 2023

web jun 30 2020 das buch deckt alle relevanten rechtsfragen ab von der wahl der richtigen gesellschaftsform dem aufsetzen des gesellschaftsvertrags über die startup

startup recht praktischer leitfaden für gründung copy - May 31 2022

web mar 11 2023 startup recht praktischer leitfaden für gründung 2 17 downloaded from uniport edu ng on march 11 2023 by guest zwischen steuerberatungswissenschaft und

startup recht praktischer leitfaden für gründung - Nov 24 2021

web profi bundesweit startup recht praktischer leitfaden für gründung rechtsformen für startups eine übersicht einstein1 grundlagen startup unternehmen gründung von start

startup recht praktischer leitfaden für gründung - Apr 10 2023

web gründe arbeitsrecht für startups und gründer startup recht praktischer leitfaden für gründung unternehmensbewertung

was startups wert sind teil 1 gründer und die

startup recht praktischer leitfaden für gründung - Sep 22 2021

web jun 16 2023 gründung eines startups start up anwalt startup recht praktischer leitfaden für gründung gründung von start ups besondere chancen und risiken im

startup recht praktischer leitfaden für gründung - Sep 03 2022

web comprehending as without difficulty as treaty even more than supplementary will allow each success neighboring to the message as with ease as acuteness of this startup recht

startup recht praktischer leitfaden für gründung - May 11 2023

web jun 15 2023 startup recht praktischer leitfaden für gründung partner für mein startup gründerpartner start up unternehmen gründung von start ups besondere chancen

startup recht praktischer leitfaden für gründung - Jul 13 2023

web startup recht praktischer leitfaden für gründung gründer von start up unternehmen verfügen häufig über eine herausragende idee mit hohem innovationspotential können

startup recht praktischer leitfaden für gründung - Oct 24 2021

web praktischer leitfaden für gründung warum startups scheitern das sind die 20 häufigsten gründe legal faq zur gründung eines startups start up anwalt startup gründen die

[girişimciler için hukuk startup hukuku 101 udemy](#) - Jan 07 2023

web startup hukuku nun temel konseptlerine hakim olabilecek yatırım süreçlerini daha bilinçli yürütecek kendisine uygun şirket türünü tespit edebilecek kendi fikri mülkiyet stratejisini

startup recht praktischer leitfaden für gründung copy - Mar 29 2022

web mar 2 2023 startup recht praktischer leitfaden für gründung 1 11 downloaded from uniport edu ng on march 2 2023 by guest startup recht praktischer leitfaden für

40 variations faciles for the violin viola or cel 2023 - Apr 22 2022

web 40 variations faciles for the violin viola or cel 3 3 beethoven s complete works and links to popular streaming services includes beethoven s letters translated by lady wallace spend hours exploring the composer s personal correspondence also features four biographies including thayer s seminal study explore

40 variations faciles for the violin viola or cel full pdf 2013 - Oct 09 2023

web 40 variations faciles for the violin viola or cel downloaded from 2013 thecontemporaryaustin org by guest yu aniyah the life of ludwig van beethoven sevcik violin studies 40 variations examines the history of musical self quotation and reveals and explores a previously unidentified

[40 variations faciles for the violin viola or cel pdf](#) - Dec 31 2022

web 40 variations faciles for the violin viola or cel decoding 40 variations faciles for the violin viola or cel revealing the captivating potential of verbal expression in an era characterized by interconnectedness and an insatiable thirst for knowledge the captivating potential of verbal expression has emerged as a formidable force

40 variations faciles for the violin viola or cel pdf - Feb 01 2023

web 2 40 variations faciles for the violin viola or cel 2023 03 03 numerous meteorites this second edition covers the standard principles and methods and incorporates many of new developments from the last decade it covers the basis of the method technical aspects data presentation diffusion theory

what is the difference between a violin and a viola - Jun 24 2022

web the most obvious difference you ll notice when you place a violin and viola next to each other is their size the viola is bigger with an average body length of between 15 5 and 16 5 inches for adults compared to the violin which is between 13 and 14 inches a little harder to spot is the discrepancy between each instrument s bow or

viola vs violin difference and comparison diffen - Jul 26 2022

web viola vs violin diffen entertainment music musical instruments violas are larger than violins and have a deeper mellower sound they are both orchestral string instruments that originated in italy and are played with a bow the violin is also called a fiddle when used to play folk music comparison chart size

40 variations faciles for the violin viola or cello opus 3 - Jun 05 2023

web may 12th 2020 you ll find a wide selection of sevcik violin studies sheet music songbooks 40 variations faciles 40 variations faciles violin for the violin viola or cello posed by ottakar sevcik 1852

40 variations faciles for the violin viola or cel frederic - May 04 2023

web 40 variations faciles for the violin viola or cel this is likewise one of the factors by obtaining the soft documents of this 40 variations faciles for the violin viola or cel by online you might not require more get older to spend to go to the book introduction as skillfully as search for them

viola vs violin what are the differences violinspiration - May 24 2022

web 1 viola vs violin a quick introduction to the viola 2 violin vs viola 5 basic differences 3 viola vs violin frequently asked questions viola vs violin a quick introduction to the viola since i cover violin related topics on this website let me tell you some basic things about the viola

[40 variations faciles for the violin viola or cel pdf](#) - Mar 22 2022

web 40 variations faciles for the violin viola or cel downloaded from admin store motogp com by guest mora burke 40 variations faciles for the violin viola or cello sevcik violin

40 variations faciles for the violin viola or cel - Mar 02 2023

web 4 40 variations faciles for the violin viola or cel 2023 03 08 to flute music that is published or available in manuscript form unlike any previous handbook of the flute repertoire it is devoted entirely to the works of women the vast majority of whom are not mentioned in the standard catalogs of flute literature a carefully compiled

40 variations faciles for the violin viola or cel pdf - Sep 08 2023

web 4 40 variations faciles for the violin viola or cel 2022 10 05 music is discussed with analysis and music examples in chronological order it is a scholarly study based on first hand research in german and other archives but it is also elegantly written and fully alive to general cultural and historical implications it is a book for the

40 variations faciles for the violin viola or cel copy - Apr 03 2023

web 40 i e quarante variations faciles dwight s journal of music 40 variations faciles for the violin viola or cel downloaded from retailer bonide com by guest selina mya catalogs routledge argon isotopic dating is one of the most important techniques for estimating the ages of rocks and can be used on very small samples

40 variations faciles for the violin viola or cel albert wier copy - Jul 06 2023

web this 40 variations faciles for the violin viola or cel can be taken as skillfully as picked to act there s a girl in the heart of maryland with a heart that belongs to me harry carroll 1913 01 01 die originalversion von there s a girl in the heart of maryland with a heart that belongs to me wurde 1913 veröffentlicht von

viola vs violin what is the difference which to choose - Sep 27 2022

web dec 29 2020 the difference between a violin viola here are the key differences between viola and violins you should be aware of difference 1 size again while violin and viola may look alike an important thing to note is that they aren t the same size a violin is about 14 inches in size while a viola measures 15 5 to 16 5 inches

viola vs violin what s the difference newviolinist - Aug 27 2022

web the viola is larger than a violin the viola is heavier than a violin the viola is lower in range than a violin the viola has thicker strings than a violin the violin has a steeper arch in the bridge than a viola to hear the difference between a

40 variations faciles for the violin viola or cel pdf - Feb 18 2022

web 40 variations faciles for the violin viola or cello nineteenth century piano music 40 variations faciles for the violin viola or cel downloaded from renewalcc com by guest edwards dillon zeitschrift der internationalen musikgesellschaft oxford university press on demand music sales america optional piano accompaniment for

40 variations faciles for the violin viola or cel pdf mail - Aug 07 2023

web 40 variations faciles for the violin viola or cel 1 40 variations faciles for the violin viola or cel zeitschrift der internationalen musik gesellschaft e v

40 variations faciles for the violin viola or cello 1 - Oct 29 2022

web violin method daily warm ups set 4 minor scales arpeggios one octave velocity warm ups for jazz vibraphone a progressive method of string quartet playing elementary v 1 first violin and part v 2 second violin and part v 3 viola and part v 4 violoncello and part violin 3 part of 10 romantic pieces for violin quartet

40 variations faciles for the violin viola or cello uniport edu - Nov 29 2022

web apr 13 2023 40 variations faciles for the violin viola or cello 1 6 downloaded from uniport edu ng on april 13 2023 by guest 40 variations faciles for the violin viola or cello this is likewise one of the factors by obtaining the soft documents of this 40 variations faciles for the violin viola or cello by online