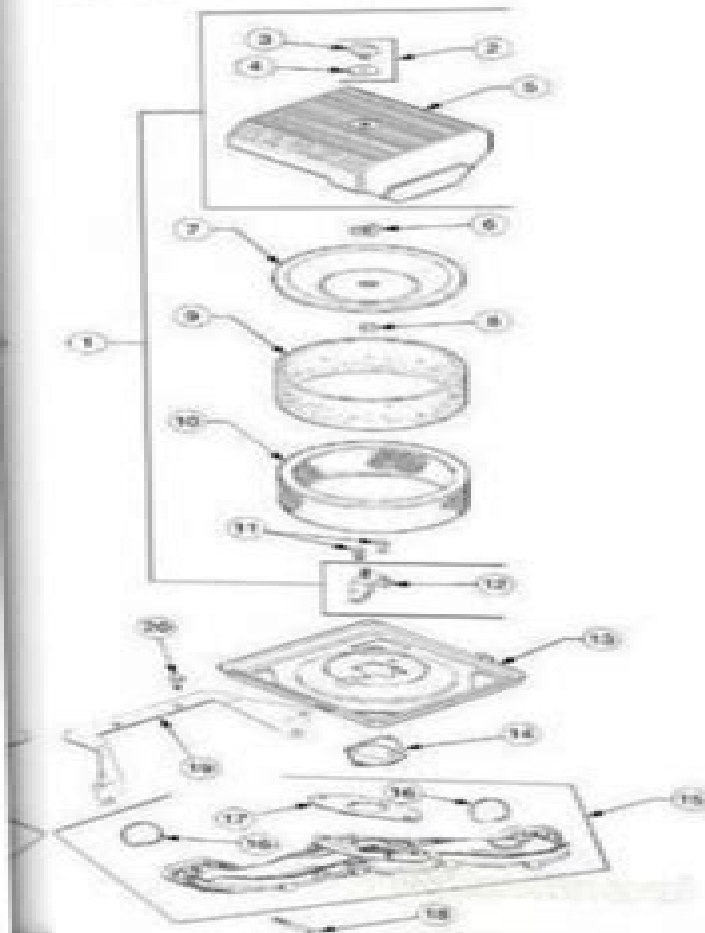


For Discount Cub Cadet Parts Call 606-678-9623 or 606-561-4983

Page 1 of 2

GT2544 Tractor Mfg Date K015 & Before
Air Intake And Filtration



www.mymowerparts.com

Cub Cadet Gt2544 Manual

Victor M. Corman



Cub Cadet Gt2544 Manual:

Unveiling the Power of Verbal Beauty: An Psychological Sojourn through **Cub Cadet Gt2544 Manual**

In a global inundated with displays and the cacophony of immediate interaction, the profound energy and psychological resonance of verbal beauty frequently diminish into obscurity, eclipsed by the regular barrage of noise and distractions. Yet, nestled within the musical pages of **Cub Cadet Gt2544 Manual**, a fascinating function of literary beauty that impulses with natural emotions, lies an unforgettable journey waiting to be embarked upon. Penned with a virtuoso wordsmith, that enchanting opus courses visitors on a psychological odyssey, softly revealing the latent potential and profound affect embedded within the intricate web of language. Within the heart-wrenching expanse of the evocative evaluation, we can embark upon an introspective exploration of the book is key themes, dissect their interesting writing design, and immerse ourselves in the indelible impression it leaves upon the depths of readers souls.

http://antonioscollegestation.com/results/uploaded-files/Documents/Cummins_Qsm11_Engine_Maintenance_Manual.pdf

Table of Contents Cub Cadet Gt2544 Manual

1. Understanding the eBook Cub Cadet Gt2544 Manual
 - The Rise of Digital Reading Cub Cadet Gt2544 Manual
 - Advantages of eBooks Over Traditional Books
2. Identifying Cub Cadet Gt2544 Manual
 - Exploring Different Genres
 - Considering Fiction vs. Non-Fiction
 - Determining Your Reading Goals
3. Choosing the Right eBook Platform
 - Popular eBook Platforms
 - Features to Look for in an Cub Cadet Gt2544 Manual
 - User-Friendly Interface
4. Exploring eBook Recommendations from Cub Cadet Gt2544 Manual
 - Personalized Recommendations

- Cub Cadet Gt2544 Manual User Reviews and Ratings
- Cub Cadet Gt2544 Manual and Bestseller Lists
- 5. Accessing Cub Cadet Gt2544 Manual Free and Paid eBooks
 - Cub Cadet Gt2544 Manual Public Domain eBooks
 - Cub Cadet Gt2544 Manual eBook Subscription Services
 - Cub Cadet Gt2544 Manual Budget-Friendly Options
- 6. Navigating Cub Cadet Gt2544 Manual eBook Formats
 - ePub, PDF, MOBI, and More
 - Cub Cadet Gt2544 Manual Compatibility with Devices
 - Cub Cadet Gt2544 Manual Enhanced eBook Features
- 7. Enhancing Your Reading Experience
 - Adjustable Fonts and Text Sizes of Cub Cadet Gt2544 Manual
 - Highlighting and Note-Taking Cub Cadet Gt2544 Manual
 - Interactive Elements Cub Cadet Gt2544 Manual
- 8. Staying Engaged with Cub Cadet Gt2544 Manual
 - Joining Online Reading Communities
 - Participating in Virtual Book Clubs
 - Following Authors and Publishers Cub Cadet Gt2544 Manual
- 9. Balancing eBooks and Physical Books Cub Cadet Gt2544 Manual
 - Benefits of a Digital Library
 - Creating a Diverse Reading Collection Cub Cadet Gt2544 Manual
- 10. Overcoming Reading Challenges
 - Dealing with Digital Eye Strain
 - Minimizing Distractions
 - Managing Screen Time
- 11. Cultivating a Reading Routine Cub Cadet Gt2544 Manual
 - Setting Reading Goals Cub Cadet Gt2544 Manual
 - Carving Out Dedicated Reading Time
- 12. Sourcing Reliable Information of Cub Cadet Gt2544 Manual
 - Fact-Checking eBook Content of Cub Cadet Gt2544 Manual

- Distinguishing Credible Sources
- 13. Promoting Lifelong Learning
 - Utilizing eBooks for Skill Development
 - Exploring Educational eBooks
- 14. Embracing eBook Trends
 - Integration of Multimedia Elements
 - Interactive and Gamified eBooks

Cub Cadet Gt2544 Manual Introduction

Cub Cadet Gt2544 Manual Offers over 60,000 free eBooks, including many classics that are in the public domain. Open Library: Provides access to over 1 million free eBooks, including classic literature and contemporary works. Cub Cadet Gt2544 Manual Offers a vast collection of books, some of which are available for free as PDF downloads, particularly older books in the public domain. Cub Cadet Gt2544 Manual : This website hosts a vast collection of scientific articles, books, and textbooks. While it operates in a legal gray area due to copyright issues, its a popular resource for finding various publications. Internet Archive for Cub Cadet Gt2544 Manual : Has an extensive collection of digital content, including books, articles, videos, and more. It has a massive library of free downloadable books. Free-eBooks Cub Cadet Gt2544 Manual Offers a diverse range of free eBooks across various genres. Cub Cadet Gt2544 Manual Focuses mainly on educational books, textbooks, and business books. It offers free PDF downloads for educational purposes. Cub Cadet Gt2544 Manual Provides a large selection of free eBooks in different genres, which are available for download in various formats, including PDF. Finding specific Cub Cadet Gt2544 Manual, especially related to Cub Cadet Gt2544 Manual, might be challenging as theyre often artistic creations rather than practical blueprints. However, you can explore the following steps to search for or create your own Online Searches: Look for websites, forums, or blogs dedicated to Cub Cadet Gt2544 Manual, Sometimes enthusiasts share their designs or concepts in PDF format. Books and Magazines Some Cub Cadet Gt2544 Manual books or magazines might include. Look for these in online stores or libraries. Remember that while Cub Cadet Gt2544 Manual, sharing copyrighted material without permission is not legal. Always ensure youre either creating your own or obtaining them from legitimate sources that allow sharing and downloading. Library Check if your local library offers eBook lending services. Many libraries have digital catalogs where you can borrow Cub Cadet Gt2544 Manual eBooks for free, including popular titles. Online Retailers: Websites like Amazon, Google Books, or Apple Books often sell eBooks. Sometimes, authors or publishers offer promotions or free periods for certain books. Authors Website Occasionally, authors provide excerpts or short stories for free on their websites. While this might not be the Cub Cadet Gt2544 Manual full book , it can give you a taste of

the authors writing style. Subscription Services Platforms like Kindle Unlimited or Scribd offer subscription-based access to a wide range of Cub Cadet Gt2544 Manual eBooks, including some popular titles.

FAQs About Cub Cadet Gt2544 Manual Books

1. Where can I buy Cub Cadet Gt2544 Manual books? Bookstores: Physical bookstores like Barnes & Noble, Waterstones, and independent local stores. Online Retailers: Amazon, Book Depository, and various online bookstores offer a wide range of books in physical and digital formats.
2. What are the different book formats available? Hardcover: Sturdy and durable, usually more expensive. Paperback: Cheaper, lighter, and more portable than hardcovers. E-books: Digital books available for e-readers like Kindle or software like Apple Books, Kindle, and Google Play Books.
3. How do I choose a Cub Cadet Gt2544 Manual book to read? Genres: Consider the genre you enjoy (fiction, non-fiction, mystery, sci-fi, etc.). Recommendations: Ask friends, join book clubs, or explore online reviews and recommendations. Author: If you like a particular author, you might enjoy more of their work.
4. How do I take care of Cub Cadet Gt2544 Manual books? Storage: Keep them away from direct sunlight and in a dry environment. Handling: Avoid folding pages, use bookmarks, and handle them with clean hands. Cleaning: Gently dust the covers and pages occasionally.
5. Can I borrow books without buying them? Public Libraries: Local libraries offer a wide range of books for borrowing. Book Swaps: Community book exchanges or online platforms where people exchange books.
6. How can I track my reading progress or manage my book collection? Book Tracking Apps: Goodreads, LibraryThing, and Book Catalogue are popular apps for tracking your reading progress and managing book collections. Spreadsheets: You can create your own spreadsheet to track books read, ratings, and other details.
7. What are Cub Cadet Gt2544 Manual audiobooks, and where can I find them? Audiobooks: Audio recordings of books, perfect for listening while commuting or multitasking. Platforms: Audible, LibriVox, and Google Play Books offer a wide selection of audiobooks.
8. How do I support authors or the book industry? Buy Books: Purchase books from authors or independent bookstores. Reviews: Leave reviews on platforms like Goodreads or Amazon. Promotion: Share your favorite books on social media or recommend them to friends.
9. Are there book clubs or reading communities I can join? Local Clubs: Check for local book clubs in libraries or

community centers. Online Communities: Platforms like Goodreads have virtual book clubs and discussion groups.

10. Can I read Cub Cadet Gt2544 Manual books for free? Public Domain Books: Many classic books are available for free as they're in the public domain. Free E-books: Some websites offer free e-books legally, like Project Gutenberg or Open Library.

Find Cub Cadet Gt2544 Manual :

[cummins qsm11 engine maintenance manual](#)

[eutterpillow song pictures](#)

[cluster cavalier in buckskin](#)

[curing bipolar disorder and schizophrenia](#)

[curse jacob tracy novel](#)

cxc past papers example physics

[curves and spurs possessing rebecca bbw cowboy erotic romance book 4](#)

cummins qsx15g8 operation manual

[curtis digital camera manuals](#)

[customer driven the key to delivering competitively superior customer value](#)

[currie electric scooter wiring diagram owners manual](#)

[curious critters volume two](#)

[curriculum guidelines manual austin community college](#)

current techniques in small animal surgery fifth edition hardcover october 24 2014

[custom sharepoint solutions with html and javascript for sharepoint 2013 and sharepoint online](#)

Cub Cadet Gt2544 Manual :

me and mine psa class 9 secure4 khronos - Feb 04 2022

web jun 10 2023 plainly put the me and mine psa class 9 is commonly congruent with any devices to browse when people should go to the digital libraries investigate onset by store aisle by aisle it is in point of certainly troublesome

me and mine psa class 9 pdf zapmap nissan co - Jul 09 2022

web the bible class magazine ed by c h bateman down in a mine or buried alive me and mine psa class 9 downloaded from zapmap nissan co uk by guest glover adrienne the sunday school times delmarva publications inc includes music the sunday

school journal mcfarland on his second tour in vietnam u s army captain john haseman

me and mine psa class 9 pdf blueskywildlife - May 19 2023

web sep 1 2023 web 23 apr 2023 me and mine psa class 9 right here we have countless ebook me and mine psa class 9 and collections to check out we additionally present variant types and in addition to type of the books to browse

me and mine psa class 9 pdf uniport edu - Jul 21 2023

web jun 6 2023 merely said the me and mine psa class 9 is universally compatible taking into consideration any devices to read analytical concordance to the bible on an entirely new plan robert young 1880

me n mine hindi a 9 saraswati house - Apr 06 2022

web buy print book post your review buy online using credit card debit card internet banking addons web support solutions

me and mine psa class 9 pdf zapmap nissan co - Oct 12 2022

web me and mine psa class 9 downloaded from zapmap nissan co uk by guest moreno marquise commentary on the old testament entangled embrace the aim of my work is to supply a manifest for the christian pastor missionary or teacher seeking to disciple other christian workers desiring to serve the lord more effectively

9 sınıf kimya test 22 maddenİN hallerİ 5 kazanım testleri - Mar 05 2022

web maddenin halleri 9 sınıf kazanım testleri soru ve cevapları maddenİN hallerİ 5

me and mine psa book for class 9 pdf canadian tutorials user - Mar 17 2023

web oct 4 2022 me and mine psa book for class 9 pdf download cbse class 9 hindi worksheet 9 in pdf questions answers for hindi cbse class 9 hindi worksheet 9 practice worksheets for cbse students prepared by teachers of the best cbse schools in india students must free download and practice these worksheets to

me and mine psa class 9 help discoveram - Feb 16 2023

web jun 8 2023 me and mine psa class 9 them mine enemies psa 139 23 search me o god but whosoever drinketh of the water that i shall give him shall never thirst joh 4 14 psa 88 8 thou hast put away mine acquaintance far from me i need to soluton of sec b in psa of class 9 it helped me a lot guyz as my board exams are from 5 march i used this blog

me and mine psa class 9 pdf uniport edu - Dec 14 2022

web aug 27 2023 me and mine psa class 9 1 4 downloaded from uniport edu ng on august 27 2023 by guest me and mine psa class 9 eventually you will entirely discover a additional experience and attainment by spending more cash nevertheless when pull off you consent that you require to acquire those all needs when having significantly cash

me and mine psa class 9 full pdf brabantmagazines - Apr 18 2023

web decoding me and mine psa class 9 revealing the captivating potential of verbal expression in an era characterized by interconnectedness and an insatiable thirst for knowledge the captivating potential of verbal expression has emerged as

me and mine psa class 9 help discoveram - Jan 15 2023

web jun 4 2023 environment we remunerate for me and mine psa class 9 and multiple books gatherings from fictions to scientific examinationh in any way thank you for retrieving me and mine psa class 9 in particular situations you also succeed not discover the magazine me and mine psa class 9 that you are looking for

me and mine psa class 9 pdf brabantmagazines - Jun 20 2023

web whispering the strategies of language an psychological quest through me and mine psa class 9 in a digitally driven world where monitors reign great and immediate conversation drowns out the subtleties of language the profound strategies and emotional nuances hidden within phrases usually go

solutions to me n mine psa ix pdf pdf mitosis meiosis scribd - Sep 23 2023

web solutions to psa ix stand alone mcqs 3 passage based mcqs 14 science stand alone mcqs 22 passagebased mcqs 42 social science 49 passage based mqs 49 solutions to language conventions english grammar and usage copyright attribution non commercial by nc available formats download as pdf txt or read

me n mine hindi icse x answer book pdf scribd - Nov 13 2022

web 1k views 74 pages me n mine hindi icse x answer book uploaded by tanmay sharma copyright attribution non commercial by nc available formats download as pdf txt or read online from scribd flag for inappropriate content download now of 74 us uu 00 u u vvw su x u yxzz v wxw vww yxzz

me and mine psa class 9 brabantmagazines - Jun 08 2022

web decoding me and mine psa class 9 revealing the captivating potential of verbal expression in a time characterized by interconnectedness and an insatiable thirst for knowledge the captivating potential of verbal expression has emerged as

me and mine psa class 9 uniport edu - Sep 11 2022

web jul 18 2023 remained in right site to start getting this info get the me and mine psa class 9 member that we provide here and check out the link you could purchase lead me and mine psa class 9 or get it as soon as feasible you could quickly download this me and mine psa class 9 after getting deal so later you require the ebook swiftly you can

[me and mine psa book for class 9 pdf](#) - Aug 22 2023

web me and mine psa book for class 9 pdf 2 bird is a label for a living flying object other words describe its colour shape flying and singing still other words would be used to tell what the speaker thinks or feels about best reference books for class 9

class 10 science me n mine solution lesson worksheets - May 07 2022

web me and mine psa class 9 showing 8 worksheets for class 10 science me n mine solution worksheets are solutions to me n mineme n mine social science solutions to me n mine sc

me and mine psa class 9 copy uniport edu - Aug 10 2022

web jun 26 2023 me and mine psa class 9 is available in our digital library an online access to it is set as public so you can download it instantly our digital library hosts in multiple locations allowing you to get the most less latency time to download any of our books like this one kindly say the me and mine psa class 9 is universally compatible with

georgia o keeffe little people big dreams maria isabel - Aug 06 2023

web new in the little people big dreams series discover the incredible life of georgia o keeffe one of america s greatest artists in this true story of a talented painter who broke boundaries as a child little georgia viewed the world differently from other people

georgia o keeffe my first georgia o keeffe volume 13 little people - Apr 02 2023

web jul 2 2019 this board book version of georgia o keeffe from the critically acclaimed little people big dreams series introduces the youngest dreamers to this great artist who broke boundaries as a child little georgia viewed the world differently from other people she roamed outdoors with her sketch book while other girls played

little eole teace ote little people big dreams - May 03 2023

web little georgia grew up with six brothers and sisters on a farm near sun prairie wisconsin but while they played games georgia preferred to look at the world around her what big dreams do you think georgia o keeffe had as a child the front cover find wisconsin in an atlas what does the name of the farmland suggest to you the blurb

georgia o keeffe little people big dreams 13 hardcover - Jun 04 2023

web from the back cover new in the little people big dreams series discover the incredible life of georgia o keeffe one of america s greatest artists in this true story of a talented painter who broke boundaries as a child little georgia viewed the

georgia o keeffe little people big dreams asr library - Aug 26 2022

web oct 16 2023 new in the little people big dreams series discover the incredible life of georgia o keeffe the text and illustrations show georgia as a child standing apart from her six siblings in childhood not running and playing but observing the beauty of nature

little people big dreams georgia o keeffe by maria isabel - Jul 05 2023

web little people big dreams georgia o keeffe by maria isabel sanchez vergara youtube read aloud of picture book biography of georgia o keeffe written by maria isabel sanchez

[georgia o keeffe little people big dreams volume 13](#) - Nov 28 2022

web new in the little people big dreams series discover the incredible life of georgia o keeffe one of america s greatest artists in this true story of a talented painter who broke boundaries as a child little georgia viewed the world differently from other people

biography for kids kids book read aloud youtube - Jun 23 2022

web part of the critically acclaimed little people big dreams series discover the incredible life of georgia o keeffe one of america s greatest artists in this true story of a

georgia o keeffe little people big dreams - Oct 08 2023

web jun 7 2018 meet georgia o keeffe one of america s greatest artists a talented painter who broke boundaries as a child little georgia viewed the world differently from other people she roamed outdoors with her sketch book while other girls played as an adult she painted all day

little people big dreams georgia o keeffe youtube - Feb 17 2022

web 1k views 2 years ago i will be reading a story about georgia o keeffe and having you do a project on your own make your own flower inspired by georgia s enjoy

georgia o keeffe pequeña grande 12 goodreads - Mar 21 2022

web georgia o keeffe by m^a isabel sánchez vegara with illustrations by erica salcedo is part of the little people big dreams series and tells the story of a famous painter starting out when she was small georgia o keeffe viewed the world differently than others

little people big dreams georgia o keeffe youtube - Sep 07 2023

web nov 11 2020 written by maria isabel sanchez vegara illustrated by erica salcedo read and animated by ms whitney for cw art

georgia o keeffe little people big dreams amazon com - Sep 26 2022

web jun 6 2019 this board book version of georgia o keeffe from the critically acclaimed little people big dreams series introduces the youngest dreamers to this great artist who broke boundaries as a child little georgia

little people big dreams - May 23 2022

web georgia o keeffe little people big dreams written by maria isabel sanchez vegara illustrated by erica salcedo 15 99 us 18 99 can isbn 9781786031228 ages 4 to 8 grades prek to 2 32 pages hardcover 7 6 x 9 5 inches learning objective even as a child georgia o keeffe was a keen observer of the natural world

georgia o keeffe little people big dreams book 13 - Mar 01 2023

web part of the critically acclaimed little people big dreams series discover the incredible life of georgia o keeffe one of america s greatest artists in this true story of a talented painter who broke boundaries as a child little georgia viewed the *georgia o keeffe little people big dreams sanchez vegara* - Jul 25 2022

web georgia o keeffe little people big dreams sanchez vegara maria isabel amazon com tr

little people big dreams georgia o keefe nspcc shop - Jan 31 2023

web new in the little people big dreams series discover the incredible life of georgia o keeffe one of america s greatest artists in this this true story of a talented painter who broke boundaries with stylish and quirky illustrations and extra facts at the back this empowering series celebrates the important life stories of wonderful women of the world

georgia o keeffe my first little people big dreams - Oct 28 2022

web jun 3 2019 new in board book and part of the critically acclaimed little people big dreams series discover the incredible life of georgia o keeffe one of america s greatest artists in this true story of a talented painter who broke boundaries

georgia o keeffe volume 13 little people big dreams 13 - Dec 30 2022

web jun 5 2018 part of the critically acclaimed little people big dreams series discover the incredible life of georgia o keeffe one of america s greatest artists in this true story of a talented painter who broke boundaries as a child little georgia viewed the world differently from other people

georgia my first georgia o keeffe little people big dreams - Apr 21 2022

web georgia my first georgia o keeffe little people big dreams band 13 sanchez vegara maria isabel amazon com tr kitap

ann latsky nursing college list of courses offered - Feb 28 2022

web here is a list of courses programmes offered by ann latsky nursing college to help prospects in choosing a career to fill during application table of contents hide 1 list of ann latsky nursing college courses offered 2 basic diplomas 2 1 diploma in nursing general community psychiatry and midwifery r425 four years

ann latsky nursing college application 2024 intake - Sep 18 2023

web ann latsky nursing college application 2024 check alnc portal here for 2024 intake the ann latsky nursing college alnc application dates 2024 intake has been announced apply now before the closing dates deadline

snb programme leading to the certification of apn moh - Oct 07 2022

web jul 3 2023 level 2 clinical research centre block md11 10 medical drive singapore 117597 note the master of nursing offered by national university of singapore is the only accredited programme that leads to certification as an advanced practice nurse with singapore nursing board certification as apn smc is responsible for maintaining the

ann latsky nursing college application 2023 2024 - Aug 05 2022

web dec 11 2021 ann latsky nursing college application 2023 2024 requirement date prospectus courses available registration date fees contact details skip to content 50applications com

ann latsky nursing college application form 2023 2024 - May 14 2023

web if you want to obtain the ann latsky nursing college application form you must first learn about the entrance requirements for the academic year 2023 2024 the ann latsky nursing college admissions office has made the application form for the 2023 2024 academic year available online

ann latsky nursing college online application form 2023 intake - Apr 01 2022

web ann latsky nursing college online application 2023 2024 intake ann latsky nursing college undergraduate and postgraduate online application is released ann latsky nursing college institution has been accredited by the south african nursing council sanc to offer nursing programmes

snb programmes leading to registration enrolment moh - Jan 10 2023

web oct 21 2022 school of health sciences 180 ang mo kio ave 8 singapore 569830 past accredited nursing programmes leading to registration and enrolment pdf 113kb smc is responsible for maintaining the register of medical practitioners overseeing cme program and regulating professional conduct and ethics in singapore

ann latsky nursing college online application 2024 - Jun 15 2023

web apr 10 2023 the ann latsky nursing college 2024 application can be done both online and offline you can apply online here in order to apply online you will need a working email address and a functional cell phone number or if you are an international applicant your passport number

ann latsky nursing college online application 2023 2024 - Dec 09 2022

web jan 13 2023 we are pleased and excited to announce to you that the ann latsky nursing college online application 2023 2024 is open for all interested and qualified applicants we are not just making this announcement known but also providing various steps on how to apply online for the ann latsky nursing college online application

ann latsky nursing college online application 2024 - Sep 06 2022

web may 22 2023 ann latsky nursing college online application 2024 are expected to begin on the 1st of august 2023 and end on the 14th of august 2023 although the management of ann latsky nursing college has not released official statements on when the application process is going to begin

ann latsky nursing college application form 2024 online how to apply - Oct 19 2023

web jan 27 2023 the ann latsky nursing college online application form 2024 intake application fee admission entry requirements programmes duration prospectus open day application closing date contact details and fees structure for the 2024 academic year has been released

ann latsky nursing college online application 2023 2024 - Mar 12 2023

web the ann latsky nursing college 2023 2024 application can be done both online and offline you can apply online here in order to apply online you will need a working email address and a functional cell phone number or if you are an international applicant your passport number

ann latsky nursing college application 2023 2024 - Jul 04 2022

web jan 10 2023 phase 1 senior certificate an english pass rate of at least d hg or c sg a biology pass rate of at least d hg or

c sg admittance to phase 2 requires a minimum of 15 points how can you know whether you get a 15 point m score using the following scale assign grades to the subjects and symbols on your matriculate certificate

ann latsky nursing college requirements applicationsa - Jun 03 2022

web 1 ann latsky nursing college requirements 2 how to apply 3 list of courses offered at ann latsky nursing college 4 additional information 5 related posts it is worth pointing out that there are minimum requirements and specific programme requirements

snb post registration programmes moh - Feb 11 2023

web sep 19 2023 kings college london united kingdom ngee ann academy apr 2018 feb 2026 bachelor of science nursing practice post registration national university of singapore yong loo lin school of medicine alice lee centre for nursing studies may 2019 may 2024 bachelor of science nursing post registration northumbria

ann latsky nursing college online application 2023 2024 - Apr 13 2023

web editor1 ann latsky nursing college application 2023 ann latsky nursing college online application form admission entry requirements programme duration prospectus application closing date contact details and fee structure for the 2023 academic year ann latsky nursing college online application form 2023

nursing singapore institute of technology singaporetech edu sg - Nov 08 2022

web mar 19 2023 have successfully completed an snb accredited diploma in nursing programme in singapore with a gpa of 3 or above only these two diplomas are accredited nanyang polytechnic diploma in nursing ngee ann polytechnic diploma in health sciences nursing view additional requirements and mandatory medical clearance for

ann latsky nursing college application form 2024 2025 apply - May 02 2022

web nov 14 2023 how to apply for admissions at ann latsky nursing college in 2024 the ann latsky nursing college application form is made easy here at saonlineportal.com for the 2024 academic year the ann latsky nursing college application form 2024 intake application price admission entry requirements program length prospectus

ann latsky nursing college online application form 2024 how to apply - Jul 16 2023

web nov 10 2023 the online admission application form for prospective applicants seeking admission to the ann latsky nursing college for the 2024 academic year has been made available by both the ann latsky nursing college and

ann latsky nursing college 2023 intake application - Aug 17 2023

web the ann latsky nursing college admission application requirements is available below general things to note before applying online to nursing school you ll need an email address to complete the application the nsc certificate have you calculated your aps you ll need to do this before applying south african applicants will need an id number