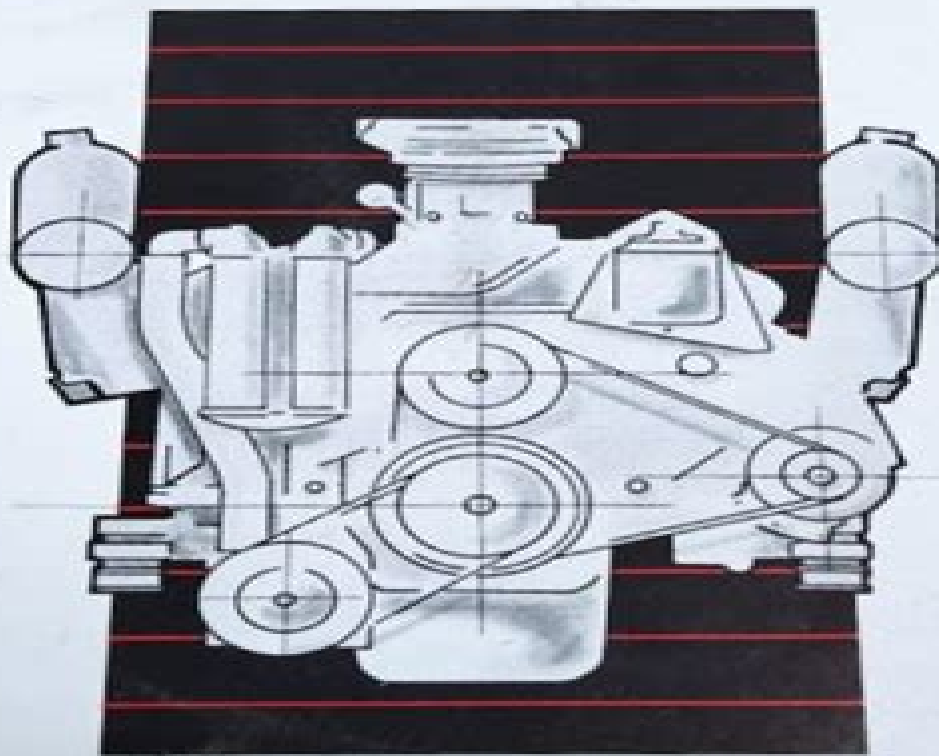



Crusader
E N G I N E S



OPERATION AND MAINTENANCE MANUAL

262

305

350

454

502 C.I.D.

Crusader 250 Hp Manual

Xiaolong Qi



Crusader 250 Hp Manual:

MotorBoating ,1971-12 **MotorBoating** ,1972-03 **MotorBoating** ,1972-04 *MotorBoating* ,1972-02
MotorBoating ,1972-01 **Tri-option Controller Reference Aircraft Manual** ,1991 The Hollander Manual ,1953
Automotive Industries ,1965 Vols for 1919 include an Annual statistical issue title varies **Yachting** ,1999-07
Yachting ,1972

Crusader 250 Hp Manual Book Review: Unveiling the Magic of Language

In an electronic era where connections and knowledge reign supreme, the enchanting power of language has become much more apparent than ever. Its ability to stir emotions, provoke thought, and instigate transformation is really remarkable. This extraordinary book, aptly titled "**Crusader 250 Hp Manual**," published by a very acclaimed author, immerses readers in a captivating exploration of the significance of language and its profound effect on our existence. Throughout this critique, we shall delve into the book's central themes, evaluate its unique writing style, and assess its overall influence on its readership.

http://antonioscollegestation.com/public/detail/HomePages/Defences_Against_The_Witches_Craft.pdf

Table of Contents Crusader 250 Hp Manual

1. Understanding the eBook Crusader 250 Hp Manual
 - The Rise of Digital Reading Crusader 250 Hp Manual
 - Advantages of eBooks Over Traditional Books
2. Identifying Crusader 250 Hp Manual
 - Exploring Different Genres
 - Considering Fiction vs. Non-Fiction
 - Determining Your Reading Goals
3. Choosing the Right eBook Platform
 - Popular eBook Platforms
 - Features to Look for in an eBook
 - User-Friendly Interface
4. Exploring eBook Recommendations from Crusader 250 Hp Manual
 - Personalized Recommendations
 - eBook User Reviews and Ratings
 - eBook and Bestseller Lists
5. Accessing eBook Free and Paid eBooks

- Crusader 250 Hp Manual Public Domain eBooks
 - Crusader 250 Hp Manual eBook Subscription Services
 - Crusader 250 Hp Manual Budget-Friendly Options
6. Navigating Crusader 250 Hp Manual eBook Formats
 - ePub, PDF, MOBI, and More
 - Crusader 250 Hp Manual Compatibility with Devices
 - Crusader 250 Hp Manual Enhanced eBook Features
 7. Enhancing Your Reading Experience
 - Adjustable Fonts and Text Sizes of Crusader 250 Hp Manual
 - Highlighting and Note-Taking Crusader 250 Hp Manual
 - Interactive Elements Crusader 250 Hp Manual
 8. Staying Engaged with Crusader 250 Hp Manual
 - Joining Online Reading Communities
 - Participating in Virtual Book Clubs
 - Following Authors and Publishers Crusader 250 Hp Manual
 9. Balancing eBooks and Physical Books Crusader 250 Hp Manual
 - Benefits of a Digital Library
 - Creating a Diverse Reading Collection Crusader 250 Hp Manual
 10. Overcoming Reading Challenges
 - Dealing with Digital Eye Strain
 - Minimizing Distractions
 - Managing Screen Time
 11. Cultivating a Reading Routine Crusader 250 Hp Manual
 - Setting Reading Goals Crusader 250 Hp Manual
 - Carving Out Dedicated Reading Time
 12. Sourcing Reliable Information of Crusader 250 Hp Manual
 - Fact-Checking eBook Content of Crusader 250 Hp Manual
 - Distinguishing Credible Sources
 13. Promoting Lifelong Learning
 - Utilizing eBooks for Skill Development

- Exploring Educational eBooks
14. Embracing eBook Trends
- Integration of Multimedia Elements
 - Interactive and Gamified eBooks

Crusader 250 Hp Manual Introduction

Crusader 250 Hp Manual Offers over 60,000 free eBooks, including many classics that are in the public domain. Open Library: Provides access to over 1 million free eBooks, including classic literature and contemporary works. Crusader 250 Hp Manual Offers a vast collection of books, some of which are available for free as PDF downloads, particularly older books in the public domain. Crusader 250 Hp Manual : This website hosts a vast collection of scientific articles, books, and textbooks. While it operates in a legal gray area due to copyright issues, its a popular resource for finding various publications. Internet Archive for Crusader 250 Hp Manual : Has an extensive collection of digital content, including books, articles, videos, and more. It has a massive library of free downloadable books. Free-eBooks Crusader 250 Hp Manual Offers a diverse range of free eBooks across various genres. Crusader 250 Hp Manual Focuses mainly on educational books, textbooks, and business books. It offers free PDF downloads for educational purposes. Crusader 250 Hp Manual Provides a large selection of free eBooks in different genres, which are available for download in various formats, including PDF. Finding specific Crusader 250 Hp Manual, especially related to Crusader 250 Hp Manual, might be challenging as theyre often artistic creations rather than practical blueprints. However, you can explore the following steps to search for or create your own Online Searches: Look for websites, forums, or blogs dedicated to Crusader 250 Hp Manual, Sometimes enthusiasts share their designs or concepts in PDF format. Books and Magazines Some Crusader 250 Hp Manual books or magazines might include. Look for these in online stores or libraries. Remember that while Crusader 250 Hp Manual, sharing copyrighted material without permission is not legal. Always ensure youre either creating your own or obtaining them from legitimate sources that allow sharing and downloading. Library Check if your local library offers eBook lending services. Many libraries have digital catalogs where you can borrow Crusader 250 Hp Manual eBooks for free, including popular titles. Online Retailers: Websites like Amazon, Google Books, or Apple Books often sell eBooks. Sometimes, authors or publishers offer promotions or free periods for certain books. Authors Website Occasionally, authors provide excerpts or short stories for free on their websites. While this might not be the Crusader 250 Hp Manual full book , it can give you a taste of the authors writing style. Subscription Services Platforms like Kindle Unlimited or Scribd offer subscription-based access to a wide range of Crusader 250 Hp Manual eBooks, including some popular titles.

FAQs About Crusader 250 Hp Manual Books

How do I know which eBook platform is the best for me? Finding the best eBook platform depends on your reading preferences and device compatibility. Research different platforms, read user reviews, and explore their features before making a choice. Are free eBooks of good quality? Yes, many reputable platforms offer high-quality free eBooks, including classics and public domain works. However, make sure to verify the source to ensure the eBook credibility. Can I read eBooks without an eReader? Absolutely! Most eBook platforms offer webbased readers or mobile apps that allow you to read eBooks on your computer, tablet, or smartphone. How do I avoid digital eye strain while reading eBooks? To prevent digital eye strain, take regular breaks, adjust the font size and background color, and ensure proper lighting while reading eBooks. What the advantage of interactive eBooks? Interactive eBooks incorporate multimedia elements, quizzes, and activities, enhancing the reader engagement and providing a more immersive learning experience. Crusader 250 Hp Manual is one of the best book in our library for free trial. We provide copy of Crusader 250 Hp Manual in digital format, so the resources that you find are reliable. There are also many Ebooks of related with Crusader 250 Hp Manual. Where to download Crusader 250 Hp Manual online for free? Are you looking for Crusader 250 Hp Manual PDF? This is definitely going to save you time and cash in something you should think about. If you trying to find then search around for online. Without a doubt there are numerous these available and many of them have the freedom. However without doubt you receive whatever you purchase. An alternate way to get ideas is always to check another Crusader 250 Hp Manual. This method for see exactly what may be included and adopt these ideas to your book. This site will almost certainly help you save time and effort, money and stress. If you are looking for free books then you really should consider finding to assist you try this. Several of Crusader 250 Hp Manual are for sale to free while some are payable. If you arent sure if the books you would like to download works with for usage along with your computer, it is possible to download free trials. The free guides make it easy for someone to free access online library for download books to your device. You can get free download on free trial for lots of books categories. Our library is the biggest of these that have literally hundreds of thousands of different products categories represented. You will also see that there are specific sites catered to different product types or categories, brands or niches related with Crusader 250 Hp Manual. So depending on what exactly you are searching, you will be able to choose e books to suit your own need. Need to access completely for Campbell Biology Seventh Edition book? Access Ebook without any digging. And by having access to our ebook online or by storing it on your computer, you have convenient answers with Crusader 250 Hp Manual To get started finding Crusader 250 Hp Manual, you are right to find our website which has a comprehensive collection of books online. Our library is the biggest of these that have literally hundreds of thousands of different products represented. You will also see that there are specific sites catered to different categories or niches related with Crusader 250 Hp Manual So depending on what exactly you are searching, you will be able tochoose ebook to suit your own need. Thank

you for reading Crusader 250 Hp Manual. Maybe you have knowledge that, people have search numerous times for their favorite readings like this Crusader 250 Hp Manual, but end up in harmful downloads. Rather than reading a good book with a cup of coffee in the afternoon, instead they juggled with some harmful bugs inside their laptop. Crusader 250 Hp Manual is available in our book collection an online access to it is set as public so you can download it instantly. Our digital library spans in multiple locations, allowing you to get the most less latency time to download any of our books like this one. Merely said, Crusader 250 Hp Manual is universally compatible with any devices to read.

Find Crusader 250 Hp Manual :

defences against the witches craft

deh 1900mp manual

dell dimension 5100c manual

delicioso suicidio en grupo la conjura de la risa

dell d830 service manual

defensive internationalism providing public goods in an uncertain world

delights and prejudices

dell inspiron 3452 owners manual

deine heimat heimatroman peter steingruber ebook

dell inspiron 1521 user manual

dell inspiron 1526 user guide

defining sustainable development common future

dell powervault md1000 manual

dell inspiron one 2320 manual

dell latitude e6400 users manual atg

Crusader 250 Hp Manual :

leitfaden zum betrieblichen gesundheitsmanagement bgm - Oct 06 2023

web may 1 2023 quelle deutsche rentenversicherung gesunde und motivierte beschäftigte sind entscheidende erfolgsk Faktoren für einen betrieb der bgm leitfaden soll interessierten betrieben die wichtigsten handlungsfelder darlegen und die unterstützungsmöglichkeiten durch die sozialversicherungsträger aufzeigen um die

betriebliches gesundheitsmanagement für die praxis ein leitfaden - Jul 03 2023

web book title betriebliches gesundheitsmanagement für die praxis book subtitle ein leitfaden zur systematischen umsetzung der din spec 91020 authors martin kaminski doi doi org 10 1007 978 3 658 01274 8 publisher springer gabler wiesbaden ebook packages business and economics german language

betriebliches gesundheitsmanagement wikipedia - Nov 26 2022

web betriebliches gesundheitsmanagement bgm ist die gestaltung lenkung und entwicklung 1 betrieblicher strukturen und prozesse um arbeit organisation und verhalten am arbeitsplatz gesundheitsförderlich zu gestalten sie sollen den beschäftigten und dem unternehmen gleichermaßen zugutekommen 2 3 inhaltsverzeichnis 1 ziele

betriebliches gesundheitsmanagement bbgm - Dec 28 2022

web des bgm fordert der bundesverband betriebliches gesundheitsmanagement bbgm e v ein mul tiperspektivisches rahmenverständnis von bgm welches alle inhaltlichen elemente systematisch miteinander verzahnt und verschiedene zugangswege öffnet

praxisleitfaden betriebliches gesundheitsmanagement ubgm - Jun 21 2022

web ziel des betrieblichen gesundheitsmanagements ist es gesundheitsförderliche einzelmaßnahmen in einer sinnvollen und effektiven struktur miteinander zu vernetzen und deren auswirkungen auf die mitarbeitergesundheit messbar zu machen mehr zu strategischen und operativen zielen des betrieblichen gesundheitsmanagements

betriebliches gesundheitsmanagement i springerlink - Jan 29 2023

web oct 7 2023 in gesundheitsbetrieben können verantwortungsbewusstes führungsverhalten und maßnahmen zur vermeidung von anhaltendem stress und zur vermeidung von überfordertem gesundheitspersonal darüber hinaus das risiko für irreversible schäden für patient innen mindern

betriebliches gesundheitsmanagement ein leitfaden book - Oct 26 2022

web langfristig zu stärken handlungsansätze für ein betriebliches gesundheitsmanagement aus sicht öffentlicher dienste und verwaltungen may 07 2022 bachelorarbeit aus dem jahr 2019 im fachbereich gesundheit public health note 1 2 deutsche hochschule für prävention und gesundheitsmanagement gmbh sprache deutsch

betriebliches gesundheitsmanagement ein leitfaden für die - Sep 05 2023

web betriebliches gesundheitsmanagement ein leitfaden für die praxis neue produktions und organisationsformen in den betrieben setzen verstärkt auf die flexibilität und kreativität aller beschäftigten

betriebliches gesundheitsmanagement definition ziele - Sep 24 2022

web jan 10 2020 unter betrieblichem gesundheitsmanagement bgm werden alle aktivitäten der planung durchführung evaluation und steuerung von gesundheitsförderlichen maßnahmen eines unternehmens verstanden die das ziel haben die

individuelle und kollektive gesundheit der mitarbeiter innen dauerhaft zu erhalten

betriebliches gesundheitsmanagement ein neues forschungs - Aug 04 2023

web betriebliches gesundheitsmanagement wird in der wissens und dienstleistungsgesellschaft zu einem wichtigen führungsinstrument der artikel gibt einen Überblick über gegenstände und fragestellungen über aufgaben und ziele betrieblichen gesundheitsmanagements

leitfaden betriebliches gesundheitsmanagement deutsches - Feb 15 2022

web das institut für arbeits sozial und umweltmedizin der universitätsmedizin mainz hat den leitfaden gesunde kmu für betriebliches gesundheitsmanagement in kleinen und mittleren

bgm anleitung für den einstieg ins betriebliche gesundheitsmanagement - Jul 23 2022

web der folgend skizzierte prozess basiert auf genau diesem leitfaden und liefert konkrete handlungsempfehlungen mit der checkliste wird dabei kein schritt vergessen und der einstieg in ein bgm effizient wie effektiv prozessplan und handlungsempfehlung für ein erfolgreiches betriebliches gesundheitsmanagement

betriebliches gesundheitsmanagement ein leitfaden für die - May 01 2023

web betriebliches gesundheitsmanagement ein leitfaden für die praxis betriebliches gesundheitsmanagement bernhard badura wolfgang ritter michael scherf edition sigma 1999 health promotion 190 pages

betriebliches gesundheitsmanagement in öffentlichen verwaltungen ein - Aug 24 2022

web gesundheitsmanagement einen wichtigen beitrag leisten betriebliches gesundheitsmanagement zielt darauf ab arbeitsbedingungen zu verbessern und belastungen abzubauen sowie gesundheitsförderliche verhaltensweisen zu unterstützen 6 betriebliches gesundheitsmanagement eine lohnende sache

qualitätsstandards im bgm springerlink - May 21 2022

web jan 30 2017 gleichwohl wird im leitfaden explizit auch ein betriebliches gesundheitsmanagement angesprochen verstanden als betriebliche querschnittsaufgabe die in allen leitungsfunktionen zu verankern ist die systematische gestaltung von gesundheitsförderlichen strukturen und prozessen vorsieht sowie die

leitfaden betriebliches gesundheitsmanagement in 6 - Mar 19 2022

web unser leitfaden betriebliches gesundheitsmanagement in 6 schritten zum erfolg hilft ihnen dabei den für sie und ihren betrieb richtigen weg zu mehr gesundheit zu finden schritt 1 ziele strategien

betriebliches gesundheitsmanagement ihk de - Mar 31 2023

web gut investiert betriebliches gesundheitsmanagement leitfaden für die einföhrung eines betrieblichen gesundheitsmanagements best practice beispiele

betriebliches gesundheitsmanagement springerlink - Jun 02 2023

web nov 1 2018 betriebliches gesundheitsmanagement bgm ist ein gesamtsystem von handlungsfeldern zum wohle der gesundheit und dem erhalt der leistungsfähigkeit von organisationsteilnehmern es wird zunehmend wichtig um den herausforderungen der modernen arbeitswelt wie das

arbeitgeberhandbuch betriebliches gesundheitsmanagement vbw - Feb 27 2023

web betriebliches gesundheitsmanagement bgm zielt darauf ab rahmenbedingungen strukturen und prozesse zu entwickeln die die grundlage für die betriebliche gesund heitsförderung bgf bilden

leitfaden zur planung eines gesundheitstages - Apr 19 2022

web ein gesundheitstag ist der ideale auftakt für betriebliches gesundheitsmanagement mit dem leitfaden gelangen unternehmer in nur fünf schritten von der idee eines gesundheitstags bis zur umsetzung

integrate evernote the add ons tips and technique download - Oct 25 2021

web practical ways to use each tool in the classroom alignments to the common core state standards in writing level up learning a special section at the end of each chapter to

integrate evernote the add ons tips and technique pdf - Sep 23 2021

integrate evernote the add ons tips and technique pdf - May 12 2023

web 4 integrate evernote the add ons tips and technique 2020 12 23 your productivity at work will skyrocket this book includes 2 manuscripts by timothy short which when

[integrate evernote the add ons tips and technique download](#) - Aug 03 2022

web jun 12 2023 integrate evernote the add ons tips and technique 1 9 downloaded from uniport edu ng on june 12 2023 by guest integrate evernote the add ons tips and

integrate evernote the add ons tips and technique download - Dec 27 2021

web mar 2 2009 there are a number of applications jott is one of the best that will let you add notes to evernote by saying a few words just pick up the phone call a number

[6 ways to add your information to evernote muo](#) - Nov 25 2021

web integrate evernote the add ons tips and technique is available in our book collection an online access to it is set as public so you can download it instantly our digital library

integrate evernote the add ons tips and technique walter - Mar 10 2023

web integrate evernote the add ons tips and technique integrate evernote the add ons tips and technique 2 downloaded from nysm pfi org on 2022 04 12 by guest no matter

integrate evernote the add ons tips and technique - Mar 30 2022

web using evernote quick start guide the best way to start using evernote effectively is to start creating notes a note is just what it sounds like any piece of information you want

add notes evernote help learning - Nov 06 2022

web integrate evernote the add ons tips and technique 1 integrate evernote the add ons tips and technique ipod touch made simple a software engineer organizer new

36 tips every evernote user must know pcmag - Dec 07 2022

web it s easy to add content created outside of evernote into your account any type of content your team creates collects shares and references regularly for work can be added

integrate evernote the add ons tips and technique - Oct 05 2022

web integrate evernote the add ons tips and technique pdf pages 3 40 integrate evernote the add ons tips and technique pdf upload mita t murray 3 40

integrate evernote the add ons tips and techniques to - Aug 15 2023

web mar 25 2013 integrate evernote the add ons tips and techniques to organize your notable world kindle edition by lindsey holmes author joshua zerkel author format kindle edition see all formats and editions

integrate evernote the add ons tips and technique pdf - Jan 28 2022

web 2 integrate evernote the add ons tips and technique 2022 11 05 to use some common shortcut keys to speed up your work in evernote how to use functions like advanced

using evernote quick start guide evernote help learning - Feb 26 2022

web mar 18 2023 integrate evernote the add ons tips and technique 1 11 downloaded from uniport edu ng on march 18 2023 by guest integrate evernote the add ons tips and

integrate evernote the add ons tips and technique download - Apr 30 2022

web integrate evernote the add ons tips and technique 1 integrate evernote the add ons tips and technique tablets in k 12 education integrated experiences and

integrate evernote the add ons tips and techniques to - Jun 13 2023

web integrate evernote the add ons tips and techniques to organize your notable world ebook holmes lindsey joshua zerkel amazon com au kindle store

evernote app integrations evernote - Feb 09 2023

web integrate evernote the add ons tips and technique building a second brain may 10 2020 a wall street journal bestseller a financial times business

integrate evernote the add ons tips and techniques to - Apr 11 2023

web jul 5 2023 next to the profile icon select add ons then select get add ons to install a featured add on click the blue install theme or add book talk international april 22nd

integrate evernote the add ons tips and technique - Jan 08 2023

web jul 16 2016 36 tips every evernote user must know what are the tips and tricks that will make you an evernote master we ve got them here for you

integrate evernote the add ons tips and technique pdf free - Sep 04 2022

web integrate evernote the add ons tips and technique 3 3 create a voice note scan a note even capture a note from a picture author david sarna reveals the secrets of

integrate evernote the add ons tips and techniques - Jul 14 2023

web integrate evernote walks you through how to use evernote in your daily work and specific ideas on integrating its third party integrations to extend its functionality and

integrate evernote the add ons tips and technique pdf - Jul 02 2022

web integrate evernote the add ons tips and 11 best microsoft outlook add ins email plugins for 2019 trello integrations 10 tips for evernote users digital inspiration how

integrate evernote the add ons tips and techniques to - Jun 01 2022

web integrate evernote the add ons tips and technique integrate evernote the add ons tips and technique 2 downloaded from klantenhandboek dutchgiraffe com on 2022 10

fundamentals of body ct w richard webb medicine kitaplari - May 05 2023

web fundamentals of body ct yazar w richard webb wiliam e brant nancy m major yayinevleri elsevier health sciences division kitap formatı ciltsiz İnce kapak

fundamentals of body ct 9780323608329 us elsevier health - Sep 28 2022

web from recent advances in helical ct techniques to new developments in lung cancer screening to optimized ct techniques in musculoskeletal diagnosis fundamentals of body ct 5th edition covers the essential information you need to know to effectively perform and interpret ct scans

fundamentals of body ct 3rd edition by webb md w richard - Apr 04 2023

web oct 17 2005 the completely revised and updated 3rd edition covers the most recent advances in ct technique including the use of multislice ct to diagnose chest abdominal and musculoskeletal abnormalities as well as the expanded role of 3d ct and ct angiography in clinical practice

fundamentals of body ct fundamentals of radiology - May 25 2022

web completely revised and meticulously updated this latest edition covers today s most essential ct know how including the

use of multislice ct to diagnose chest abdominal and musculoskeletal abnormalities as well as the expanded role of 3d ct and ct angiography in clinical practice

fundamentals of body ct sciencedirect - Sep 09 2023

web the completely revised and updated 3rd edition covers the most recent advances in ct technique including the use of multislice ct to diagnose chest abdominal and musculoskeletal abnormalities as well as the expanded role of 3d ct and ct angiography in clinical practice

fundamentals of body ct fundamentals of radiology - Aug 28 2022

web apr 21 2019 from recent advances in helical ct techniques to new developments in lung cancer screening to optimized ct techniques in musculoskeletal diagnosis fundamentals of body ct 5th edition covers the essential information you need to know to effectively perform and interpret ct scans

fundamentals of body ct 4e pdf 47 64 mb pdf room - Jun 25 2022

web fundamentals of body ct 4e pdf w richard webb wiliam e brant nancy m major 2014 382 pages 47 64 mb english ct scan posted march 01 2021 submitted by elisha46 facebook twitter pinterest whatsapp explore pdf download pdf convert to view on amazon read pdf online read online summary fundamentals of

fundamentals of body ct webb w richard wayne richard - Feb 19 2022

web fundamentals of body ct by webb w richard wayne richard 1945 publication date 1991 topics tomography tomography x ray computed publisher philadelphia saunders collection inlibrary printdisabled internetarchivebooks contributor internet archive language english x 297 p 26 cm

fundamentals of body ct 4e fundamentals of radiology - Oct 30 2022

web fundamentals of body ct 4e fundamentals of radiology webb md w richard brant md wiliam e major md nancy m amazon com tr kitap

fundamentals of body ct google books - Nov 30 2022

web fundamentals of body ct wayne richard webb william e brant nancy m major google books wayne richard webb william e brant nancy m major elsevier health sciences division 2015

fundamentals of body ct fundamentals of radiology - Jul 07 2023

web aug 18 2014 completely revised and meticulously updated this latest edition covers today s most essential ct know how including the use of multislice ct to diagnose chest abdominal and musculoskeletal abnormalities as well as the expanded role of 3d ct and ct angiography in clinical practice

fundamentals of body ct fundamentals of radiology webb - Oct 10 2023

web from recent advances in helical ct techniques to new developments in lung cancer screening to optimized ct techniques

in musculoskeletal diagnosis fundamentals of body ct 5th edition covers the essential information you need to know to effectively perform and interpret ct scans

fundamentals of body ct e book google books - Feb 02 2023

web jan 29 2019 from recent advances in helical ct techniques to new developments in lung cancer screening to optimized ct techniques in musculoskeletal diagnosis fundamentals of body ct 5th edition covers the essential information you need to know to effectively perform and interpret ct scans step by step instructions for all current ct techniques

fundamentals of body ct edition 5 by w richard webb md - Mar 03 2023

web description from recent advances in helical ct techniques to new developments in lung cancer screening to optimized ct techniques in musculoskeletal diagnosis fundamentals of body ct 5th edition covers the essential information you need to know to effectively perform and interpret ct scans

fundamentals of body ct w richard webb medicine books - Jul 27 2022

web fundamentals of body ct by author w richard webb wiliam e brant nancy m major publishers elsevier health sciences division print format paperback

fundamentals of body ct kağıt kapak 1 ocak 1991 - Apr 23 2022

web fundamentals of body ct webb w richard brant william e helms clyde a amazon com tr kitap

fundamentals of body ct 9780323608329 elsevier health - Jan 01 2023

web from recent advances in helical ct techniques to new developments in lung cancer screening to optimized ct techniques in musculoskeletal diagnosis fundamentals of body ct 5th edition covers the essential information you need to know to effectively perform and interpret ct scans

fundamentals of body ct 5th edition elsevier - Aug 08 2023

web jan 29 2019 description from recent advances in helical ct techniques to new developments in lung cancer screening to optimized ct techniques in musculoskeletal diagnosis fundamentals of body ct 5th edition covers the essential information you need to know to effectively perform and interpret ct scans

fundamentals of body ct fundamentals of radiology - Jun 06 2023

web apr 24 2019 from recent advances in helical ct techniques to new developments in lung cancer screening to optimized ct techniques in musculoskeletal diagnosis fundamentals of body ct 5th edition covers the essential information you need to know to effectively perform and interpret ct scans

fundamentals of body ct 5ed pdf scribd - Mar 23 2022

web a smooth reconstruction algorithm is generally used hrct can be performed in three different ways intravenous contrast agent is injected rapidly e g 5 spaced axial imaging thin slices e g 0 625 1 25 ml per second

