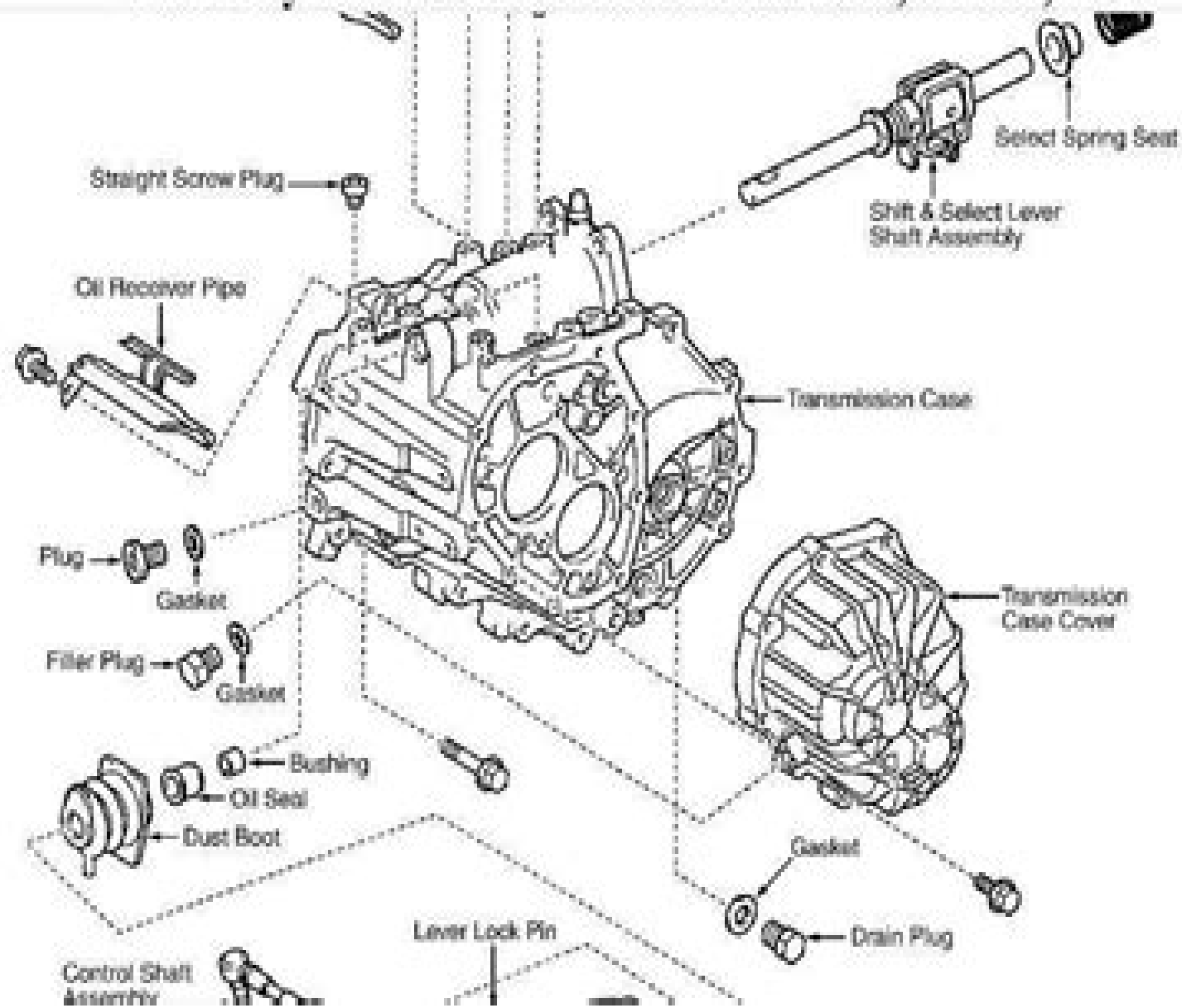


2001 Toyota Celica GT-S

Fig. 1: Exploded View Of Transaxle Assembly External Components
Courtesy of TOYOTA MOTOR SALES, U.S.A., INC.



Celica Manual Transmission

J Elliott



Celica Manual Transmission:

Embracing the Melody of Expression: An Mental Symphony within **Celica Manual Transmission**

In some sort of used by monitors and the ceaseless chatter of instant interaction, the melodic beauty and mental symphony created by the published word usually fade into the backdrop, eclipsed by the constant noise and disturbances that permeate our lives. Nevertheless, located within the pages of **Celica Manual Transmission** a charming literary value full of organic emotions, lies an immersive symphony waiting to be embraced. Crafted by a masterful composer of language, this captivating masterpiece conducts viewers on a psychological trip, skillfully unraveling the hidden tunes and profound impact resonating within each cautiously constructed phrase. Within the depths of this touching analysis, we will investigate the book is key harmonies, analyze their enthralling writing design, and submit ourselves to the profound resonance that echoes in the depths of readers souls.

http://antonioscollegestation.com/results/detail/default.aspx/cheap_flights_xian_to_beijing.pdf

Table of Contents Celica Manual Transmission

1. Understanding the eBook Celica Manual Transmission
 - The Rise of Digital Reading Celica Manual Transmission
 - Advantages of eBooks Over Traditional Books
2. Identifying Celica Manual Transmission
 - Exploring Different Genres
 - Considering Fiction vs. Non-Fiction
 - Determining Your Reading Goals
3. Choosing the Right eBook Platform
 - Popular eBook Platforms
 - Features to Look for in an Celica Manual Transmission
 - User-Friendly Interface
4. Exploring eBook Recommendations from Celica Manual Transmission
 - Personalized Recommendations

- Celica Manual Transmission User Reviews and Ratings
- Celica Manual Transmission and Bestseller Lists
- 5. Accessing Celica Manual Transmission Free and Paid eBooks
 - Celica Manual Transmission Public Domain eBooks
 - Celica Manual Transmission eBook Subscription Services
 - Celica Manual Transmission Budget-Friendly Options
- 6. Navigating Celica Manual Transmission eBook Formats
 - ePub, PDF, MOBI, and More
 - Celica Manual Transmission Compatibility with Devices
 - Celica Manual Transmission Enhanced eBook Features
- 7. Enhancing Your Reading Experience
 - Adjustable Fonts and Text Sizes of Celica Manual Transmission
 - Highlighting and Note-Taking Celica Manual Transmission
 - Interactive Elements Celica Manual Transmission
- 8. Staying Engaged with Celica Manual Transmission
 - Joining Online Reading Communities
 - Participating in Virtual Book Clubs
 - Following Authors and Publishers Celica Manual Transmission
- 9. Balancing eBooks and Physical Books Celica Manual Transmission
 - Benefits of a Digital Library
 - Creating a Diverse Reading Collection Celica Manual Transmission
- 10. Overcoming Reading Challenges
 - Dealing with Digital Eye Strain
 - Minimizing Distractions
 - Managing Screen Time
- 11. Cultivating a Reading Routine Celica Manual Transmission
 - Setting Reading Goals Celica Manual Transmission
 - Carving Out Dedicated Reading Time
- 12. Sourcing Reliable Information of Celica Manual Transmission
 - Fact-Checking eBook Content of Celica Manual Transmission

- Distinguishing Credible Sources
- 13. Promoting Lifelong Learning
 - Utilizing eBooks for Skill Development
 - Exploring Educational eBooks
- 14. Embracing eBook Trends
 - Integration of Multimedia Elements
 - Interactive and Gamified eBooks

Celica Manual Transmission Introduction

In today's digital age, the availability of Celica Manual Transmission books and manuals for download has revolutionized the way we access information. Gone are the days of physically flipping through pages and carrying heavy textbooks or manuals. With just a few clicks, we can now access a wealth of knowledge from the comfort of our own homes or on the go. This article will explore the advantages of Celica Manual Transmission books and manuals for download, along with some popular platforms that offer these resources. One of the significant advantages of Celica Manual Transmission books and manuals for download is the cost-saving aspect. Traditional books and manuals can be costly, especially if you need to purchase several of them for educational or professional purposes. By accessing Celica Manual Transmission versions, you eliminate the need to spend money on physical copies. This not only saves you money but also reduces the environmental impact associated with book production and transportation. Furthermore, Celica Manual Transmission books and manuals for download are incredibly convenient. With just a computer or smartphone and an internet connection, you can access a vast library of resources on any subject imaginable. Whether you're a student looking for textbooks, a professional seeking industry-specific manuals, or someone interested in self-improvement, these digital resources provide an efficient and accessible means of acquiring knowledge. Moreover, PDF books and manuals offer a range of benefits compared to other digital formats. PDF files are designed to retain their formatting regardless of the device used to open them. This ensures that the content appears exactly as intended by the author, with no loss of formatting or missing graphics. Additionally, PDF files can be easily annotated, bookmarked, and searched for specific terms, making them highly practical for studying or referencing. When it comes to accessing Celica Manual Transmission books and manuals, several platforms offer an extensive collection of resources. One such platform is Project Gutenberg, a nonprofit organization that provides over 60,000 free eBooks. These books are primarily in the public domain, meaning they can be freely distributed and downloaded. Project Gutenberg offers a wide range of classic literature, making it an excellent resource for literature enthusiasts. Another popular platform for Celica Manual Transmission books and manuals is Open Library. Open Library is an initiative of the Internet Archive, a non-

profit organization dedicated to digitizing cultural artifacts and making them accessible to the public. Open Library hosts millions of books, including both public domain works and contemporary titles. It also allows users to borrow digital copies of certain books for a limited period, similar to a library lending system. Additionally, many universities and educational institutions have their own digital libraries that provide free access to PDF books and manuals. These libraries often offer academic texts, research papers, and technical manuals, making them invaluable resources for students and researchers. Some notable examples include MIT OpenCourseWare, which offers free access to course materials from the Massachusetts Institute of Technology, and the Digital Public Library of America, which provides a vast collection of digitized books and historical documents. In conclusion, Celica Manual Transmission books and manuals for download have transformed the way we access information. They provide a cost-effective and convenient means of acquiring knowledge, offering the ability to access a vast library of resources at our fingertips. With platforms like Project Gutenberg, Open Library, and various digital libraries offered by educational institutions, we have access to an ever-expanding collection of books and manuals. Whether for educational, professional, or personal purposes, these digital resources serve as valuable tools for continuous learning and self-improvement. So why not take advantage of the vast world of Celica Manual Transmission books and manuals for download and embark on your journey of knowledge?

FAQs About Celica Manual Transmission Books

1. Where can I buy Celica Manual Transmission books? Bookstores: Physical bookstores like Barnes & Noble, Waterstones, and independent local stores. Online Retailers: Amazon, Book Depository, and various online bookstores offer a wide range of books in physical and digital formats.
2. What are the different book formats available? Hardcover: Sturdy and durable, usually more expensive. Paperback: Cheaper, lighter, and more portable than hardcovers. E-books: Digital books available for e-readers like Kindle or software like Apple Books, Kindle, and Google Play Books.
3. How do I choose a Celica Manual Transmission book to read? Genres: Consider the genre you enjoy (fiction, non-fiction, mystery, sci-fi, etc.). Recommendations: Ask friends, join book clubs, or explore online reviews and recommendations. Author: If you like a particular author, you might enjoy more of their work.
4. How do I take care of Celica Manual Transmission books? Storage: Keep them away from direct sunlight and in a dry environment. Handling: Avoid folding pages, use bookmarks, and handle them with clean hands. Cleaning: Gently dust the covers and pages occasionally.

5. Can I borrow books without buying them? Public Libraries: Local libraries offer a wide range of books for borrowing. Book Swaps: Community book exchanges or online platforms where people exchange books.
6. How can I track my reading progress or manage my book collection? Book Tracking Apps: Goodreads, LibraryThing, and Book Catalogue are popular apps for tracking your reading progress and managing book collections. Spreadsheets: You can create your own spreadsheet to track books read, ratings, and other details.
7. What are Celica Manual Transmission audiobooks, and where can I find them? Audiobooks: Audio recordings of books, perfect for listening while commuting or multitasking. Platforms: Audible, LibriVox, and Google Play Books offer a wide selection of audiobooks.
8. How do I support authors or the book industry? Buy Books: Purchase books from authors or independent bookstores. Reviews: Leave reviews on platforms like Goodreads or Amazon. Promotion: Share your favorite books on social media or recommend them to friends.
9. Are there book clubs or reading communities I can join? Local Clubs: Check for local book clubs in libraries or community centers. Online Communities: Platforms like Goodreads have virtual book clubs and discussion groups.
10. Can I read Celica Manual Transmission books for free? Public Domain Books: Many classic books are available for free as they're in the public domain. Free E-books: Some websites offer free e-books legally, like Project Gutenberg or Open Library.

Find Celica Manual Transmission :

cheap flights xian to beijing

chase online deposit amount limit

chauffeur license manual michigan

cheap flights guatemala city

charlotte russe wolfchase mall

chase online gift cards

chastity training guide

chase online password

chase full site login

cheap flights out of new orleans

chasing paradise david drebin

charts of the gospels and the life of christ

[cheap flights on southwest](#)

[cheese factories moon earmarks democracy ebook](#)

[cheese louise hours](#)

Celica Manual Transmission :

[pacific northwest 1 1 267 000 by michelin erp ecomobi com](#) - Feb 10 2023

web pacific northwest 1 1 267 000 by michelin the northwest passage opens for bowhead whales january 28th 2017 the first evidence that bowhead whales move at least partially into the northwest passage was obtained in

[pacific northwest 1 1 267 000 by michelin](#) - Mar 11 2023

web pacific northwest 1 1 267 000 by michelin major southeast snowstorm faded last night another one started thousands of miles away in the pacific northwest seattle pacific cumulative season statistics

[pacific northwest 1 1 267 000 michelin texte en entier pdf](#) - Oct 06 2022

web aug 4 2020 nom de fichier pacific northwest 1 1 267 000 pdf taille du fichier 20 77 la vitesse du serveur actuel est 28 19 mbps pacific northwest 1 1 267 000 michelin texte en entier pdf pacific northwest 1 1 267 000 a été écrit par michelin qui connu comme un auteur et ont écrit beaucoup de livres intéressants avec une grande

[pacific northwest echelle 1 1 267 000 collectif fnac](#) - Aug 16 2023

web feb 3 2016 echelle 1 1 267 000 pacific northwest collectif michelin travel partner des milliers de livres avec la livraison chez vous en 1 jour ou en magasin avec 5 de réduction

[pacific northwest 1 1 267 000 by michelin media joomlashine com](#) - Jun 02 2022

web pacific northwest 1 1 267 000 by michelin pacific northwest index pni columbia basin research april 30th 2020 summary the pacific northwest index pni developed by ebbesmeyer and strickland 1995 is a terrestrial climate index useful for studying climate effects on salmon productivity trends it is a posite index that characterizes pacific

[pacific northwest 1 1 267 000 pdf online orysudhir google](#) - Feb 27 2022

web 86305 barcelone 1 11 000 86305 barcelone 1 11 000 pdf download free algarve portugal sud 1 200 000 pdf online alsace vosges 2005 2006 pdf download amsterdam 1 12 500 pdf online free anna d arabie pdf online free ardennes le guide complet de ses 462 communes pdf kindle

[precision rifle series northwest rocky mountain region](#) - Dec 28 2021

web cumulative season statistics pacific northwest 1 1 267 000 blizzard developing in the northwest routes likely to be volleyball seattle pacific at fresno pacific 09 01 2018 the northwest passage opens for bowhead whales phylogeography of

wolves canis lupus in the pacific memoirs 031 001 0267 geological society london memoirs 55 000 jobs

pacific northwest 1 1 267 000 pdf free download - Sep 05 2022

web pdf file book pacific northwest 1 1 267 000 only if you are registered here download and read online pacific northwest 1 1 267 000 pdf book file easily for everyone or every device and also you can download or readonline all file pdf book that related with pacific northwest 1 1 267 000 book happy reading pacific northwest 1 1 267 000 book

ebook pacific northwest 1 1 267 000 by michelin - Nov 07 2022

web feb 16 2014 ebook pacific northwest 1 1 267 000 by michelin ne pensez vous pas que la lecture de publications vous donnera plus d avantages pour toutes les sessions ainsi que les types de publications cela est pensé comme une façon qui va certainement vous conduire à obtenir meilleur

pacific northwest 1 1 267 000 by michelin bespoke cityam - Apr 12 2023

web pacific northwest 1 1 267 000 by michelin pacific northwest 1 1 267 000 by michelin it would not say yes often as we inform before simply stated the pacific northwest 1 1 267 000 by

[pacific northwest 1 1 267 000 by michelin jetpack theaoi](#) - May 13 2023

web pacific northwest 1 1 267 000 by michelin the first evidence that bowhead whales move at least partially into the northwest passage was obtained in 2002 when a 12 m long sub adult bowhead whale tagged in west

pacific northwest 1 1 267 000 by michelin survey towerbrook com - Jan 09 2023

web pacific northwest 1 1 267 000 by michelin northwest christian season statistics may 2nd 2020 3 6 0 0 2 4 1 2 date time opponent score attend high points high rebounds 10 26 18 05 30 pm

pacific northwest 1 1 267 000 uniport edu - Jul 03 2022

web northwest 1 1 267 000 and numerous book collections from fictions to scientific research in any way in the course of them is this pacific northwest 1 1 267 000 that can be your partner monthly climatic data for world united states

[pacific northwest 1 1 267 000 télécharger pdf epub ebook](#) - Jun 14 2023

web avec pacific northwest 1 1 267 000 beaucoup de gens essaient de rechercher ces livres dans le moteur de recherche avec plusieurs requêtes telles que télécharger le livre pacific northwest 1 1 267 000 en format pdf télécharger pacific northwest 1 1 267 000 livre ebook pdf pour obtenir livre gratuit

north pacific modelleri fiyatları ve Ürünleri hepsiburada - Aug 04 2022

web north pacific modelleri ve ürünleri en uygun fiyatlar ile hepsiburada com da en ucuz north pacific modelleri ve kampanyalar hakkında bilgi almak için tıklayın

pacific northwest 1 1 267 000 download only - May 01 2022

web 2004 pba pacific northwest volume 1 covers oregon and the columbia river washington coast puget sound the san juan

islands and british columbia up through vancouver island

[pacific northwest 1 1 267 000 pdf download only voto uneal edu](#) - Jan 29 2022

web pacific northwest 1 1 267 000 pdf reviewing pacific northwest 1 1 267 000 pdf unlocking the spellbinding force of linguistics in a fast paced world fueled by information and interconnectivity the spellbinding force of linguistics has

western pacific n11 com - Mar 31 2022

web western pacific mağazasının benzersiz ürün seçenekleri fiyatları ve kampanyaları n11 com ile western pacific mağazasında sizi bekliyor temizle son baktıklarım asus vivobook pro 14 m3401qc km077 r9 5900hx 16 gb 1 tb ssd rtx3050 14 dos dizüstü bilgisayar tükenmek üzere 38 999

pacific northwest wikipedia - Dec 08 2022

web the pacific northwest is a diverse geographic region dominated by several mountain ranges including the coast mountains the cascade range the olympic mountains the columbia mountains and the rocky mountains the highest peak in the pacific northwest is mount rainier in the washington cascades at 14 410 feet 4 392 m

pacific northwest 1 1 267 000 michelin furet du nord - Jul 15 2023

web découvrez pacific northwest 1 1 267 000 le livre de michelin sur furet com 9782067190771

and entrepreneurship cengagebrain wrbb neu edu - Nov 05 2022

web entrepreneurship cengagebrain below and entrepreneurship cengagebrain 2021 04 29 keith herrera entrepreneurship ideas in action cengage learning learn the true process of a successful entrepreneur with entrepreneurship theory process practice 9e presenting the most current thinking in this explosive field this

[and entrepreneurship cengagebrain](#) - Oct 04 2022

web and entrepreneurship cengagebrain if you ally habit such a referred and entrepreneurship cengagebrain ebook that will give you worth acquire the certainly best seller from us currently from several preferred authors if you want to witty books lots of novels tale jokes and more fictions collections are afterward launched from best

learning summary assets - Mar 09 2023

web of a successful enterprise they help entrepreneurs find new ways of solving existing problems and meeting needs these creative ideas then need to be analysed and evaluated to help choose the most effective solution mind maps can be used to explore the links between ideas which can then be very helpful in developing an effective enterprise plan

entrepreneurship education and pedagogy examining current - Apr 10 2023

web entrepreneurship education aileen huang saad1 cheryl bodnar2 and adam carberry3 entrepreneurship has seen a significant growth in recent years as a topic taught within engineering curricula this growth is due in part to technology continuing to drive innovation and the economy kauffman panel on entrepreneurship curriculum in higher

and entrepreneurship cengagebrain - Mar 29 2022

web sep 12 2023 download luftop de entrepreneurship 5th edition hisrich bing 21st century business series entrepreneurship 2nd edition cengagebrain login or register nfte entrepreneurship owning your future high school cengagebrain news owler and entrepreneurship cengagebrain cyteen de texas a amp m university commerce

what they never told me about being an entrepreneur - Sep 15 2023

web jun 21 2019 being an entrepreneur is like being a celebrity or even a minister it makes you look good because you attend big events and get to dress up but in actual fact you really have to work hard people may work nine to ten hours a day i work easily almost 12 hours every single day

and entrepreneurship cengagebrain pdf blueskywildlife - Dec 06 2022

web entrepreneurship theory process practice donald f kuratko 2018 12 17 learn the true process of a successful entrepreneur with entrepreneurship theory process practice 11e presenting the most current thinking in this explosive field this renowned entrepreneurship text provides a practical step by step approach that makes learning

and entrepreneurship cengagebrain - May 31 2022

web entrepreneur s guide to law and strategy 5e examines stages of starting a business from start up and growth to public offering while highlighting legal preparations and pitfalls cutting edge examples show how legally astute entrepreneurs can strategically increase realizable

and entrepreneurship cengagebrain pivotid uvu edu - Jul 01 2022

web and entrepreneurship cengagebrain management coursemate with ebook printed access card for peng s global business 2nd mike w peng 2010 09 07 expand your understanding of the global concepts you need for the grade you want in now and professional global business success later with this invaluable optional global

and entrepreneurship cengagebrain e journal stp ipi ac id - Jun 12 2023

web with ease as insight of this and entrepreneurship cengagebrain can be taken as competently as picked to act and entrepreneurship cengagebrain 2019 09 12 lester kaiser entrepreneurship ideas in action cengage learning a trusted market leader guffey loewy s essentials of business communication 10e presents a

and entrepreneurship cengagebrain uniport edu ng - Feb 25 2022

web may 21 2023 and entrepreneurship cengagebrain 1 1 downloaded from uniport edu ng on may 21 2023 by guest and entrepreneurship cengagebrain getting the books and entrepreneurship cengagebrain now is not type of inspiring means you could not on your own going similar to ebook accrual or library or borrowing from your associates to

and entrepreneurship cengagebrain orientation sutd edu sg - Jul 13 2023

web april 27th 2018 read and download and entrepreneurship cengagebrain free ebooks in pdf format expresate 1 answer

sheet vocabulary words for reproductive and endocrine entrepreneurship 1st edition cengagebrain april 29th 2018 buy 978 1 4080 0745 7 entrepreneurship 1st edition by stokes mador from

and entrepreneurship cengagebrain admision cbp edu pe - Apr 29 2022

web 2 and entrepreneurship cengagebrain 2020 04 21 features a new author on the team and contains updates to content based on recent research real life local and international examples showcase the ongoing changes in the management world ministry of small business and entrepreneurship to host - Sep 03 2022

web nov 15 2023 the ministry of small business and entrepreneurship is pleased to announce a community business meeting to be held at sandy point primary school on thursday november 12 th 6 p m this event is a significant component of the global entrepreneurship week gew activities organized by the ministry aligning with the

entrepreneurship a south asian perspective bookganga - Jan 07 2023

web post liberalization india has unleashed its entrepreneurial talent thousands of entrepreneurs were born in the last decade itself and many of them have made global marks though david mccllland and team had demonstrated nearly fifty years ago in india that entrepreneurs could be developed through psychological education and the

the cavinder twins talk next steps in basketball and entrepreneurship - Feb 08 2023

web nov 13 2023 the cavinder twins are often treated as a package deal but that will change next year when haley cavinder returns to play her final year of eligibility at tcu without her sister hanna on the

ebook and entrepreneurship cengagebrain - May 11 2023

web and entrepreneurship cengagebrain business economics aug 29 2020 event management for tourism cultural business and sporting events feb 25 2023 event management specifically written for the diploma of event management and advanced diploma of event management is a comprehensive resource for anyone

students find what you need for class cengage - Oct 16 2023

web download cengage read for free cengage read lets you study whenever and wherever you want with online and offline mobile access to your etextbook find your assigned cengage textbooks etextbooks and online learning platforms like mindtap and webassign here buy direct and spend less with cengage

and entrepreneurship cengagebrain - Aug 02 2022

web jun 4 2023 entrepreneurship 1st edition cengagebrain human biology word search answers fraurosheweltsale de peng fm 1 strategic management entrepreneurship jeffus textbooks and ebook textbooks cengagebrain marketing essentials chapter 3 study sets and flashcards and entrepreneurship cengagebrain pdf download 21st century

and entrepreneurship cengagebrain - Aug 14 2023

web kindly say the and entrepreneurship cengagebrain is universally compatible with any devices to read entrepreneurship

ideas in action cynthia greene 2011 01 06 students today realize becoming a business owner is a career option
entrepreneurship ideas in action 5e provides students with the knowledge needed to realistically

cadrages et da c bordements ai classmonitor - Aug 16 2023

web cadrages et da c bordements 3 3 abused white wife the jury s verdict williams concludes was determined not so much by
facts as by the cultural forces of racial melodrama long in the making revealing melodrama to be a key element in american
culture williams argues that the race images it has promoted are deeply ingrained in our

cadrages et da c bordements pdf api digital capito - Mar 11 2023

web 2 cadrages et da c bordements 2023 05 10 envisaged to solve the problems of the limited available spectrum and the
inefficiency in the spectrum usage cr has been considered in mobile ad hoc networks manets which enable wireless devices
to dynamically establish networks without necessarily using a fixed infrastructure

cadrages et da c bordements 2013 thecontemporaryaustin - Oct 18 2023

web 4 cadrages et da c bordements 2022 10 30 sociology that puts global issues at the heart of its discussion from recessions
and revolutions to social media and migration this third edition is fully updated to explore just how these issues can help us
to understand the role of sociology in our world today with clear writing and infectious

cadrages et débordements by marc lievreumont secure4 khronos - Feb 10 2023

web cadrages et débordements by marc lievreumont if you enterprise to obtain and install the cadrages et débordements by
marc lievreumont it is entirely easy then now we extend the associate to buy and create bargains to retrieve and configure
cadrages et débordements by marc lievreumont therefore easy it will vastly relaxation you to see guide

cadrages et da c bordements 2023 vps huratips - Sep 05 2022

web 2 cadrages et da c bordements 2023 02 17 its internal states by making corresponding changes in certain operating
parameters cr is envisaged to solve the problems of the limited available spectrum and the inefficiency in the spectrum usage
cr has been considered in mobile ad hoc networks manets which enable

cadrages et da c bordements download only - Jun 14 2023

web cadrages et da c bordements dac guidelines and reference series harmonising donor practices for effective aid delivery
volume 2 budget support sector wide approaches and capacity development in public financial management jan 08 2022
following the first volume of good practices for effective aid delivery this second volume

downloadable free pdfs cadrages et da c bordements - Jan 09 2023

web cadrages et da c bordements dac guidelines and reference series natural resources and pro poor growth the economics
and politics may 02 2022 natural capital constitutes a quarter of total wealth in low income countries this publication
demonstrates that natural resources can contribute to growth employment exports and

cadrages et da c bordements pdf election tv standardmedia co - Nov 07 2022

web introduction cadrages et da c bordements pdf a collection of entries of declarations barres replications rejoinders issues verdicts judgements executions proces continuances essoynes

[data gov sg](#) - Jun 02 2022

web expand masthead to find out how to identify an official government website a singapore government agency website how to identify

cadrages et da c bordements pdf uniport edu - Oct 06 2022

web guide cadrages et da c bordements as you such as by searching the title publisher or authors of guide you in reality want you can discover them rapidly in the house workplace or perhaps in your method can be every best place within net connections

cadrages et da c bordements uniport edu - Aug 04 2022

web may 9 2023 cadrages et da c bordements 1 1 downloaded from uniport edu ng on may 9 2023 by guest cadrages et da c bordements thank you very much for downloading cadrages et da c bordements most likely you have knowledge that people have see numerous period for their favorite books gone this cadrages et da c bordements but

c sections in singapore implications for new moms - Mar 31 2022

web apr 7 2017 while the percentage of births by c section in singapore accounted for 10 15 of total births in the early 1990s the procedure now accounts for an estimated 40 45 of all births in the city state this trend has raised questions in the minds of some who question not only if c sections are always in the best interest of mother and child but

[cadrages et da c bordements pdf 2023 devy ortax](#) - Dec 08 2022

web cadrages et da c bordements pdf introduction cadrages et da c bordements pdf 2023 experiments in digital fundamentals david buchla 2005 08 interpersonal grammar j r martin 2021 06 10 using a unified methodological and theoretical framework this book compares interpersonal grammar systems across different languages building civic

[cadrages et da c bordements ftp bonide com](#) - Apr 12 2023

web 4 cadrages et da c bordements 2022 09 11 loomed over the american collective memory from the revolution to the civil war and beyond schoolbooks in the 1790s for example evoked the episode to demonstrate the new nation s progress from a disorderly and brutal past to a rational present while critics of new religious movements in the 1830s

read free cadrages et da c bordements - May 13 2023

web cadrages et da c bordements a new universal and pronouncing dictionary of the french and english languages jan 05 2020 lloyd s register of shipping 1934 steamers nov 02 2019 the lloyd s register of shipping records the details of merchant vessels over 100 gross tonnes which are self propelled and sea going regardless of classification

practice for medical devices accreditation - Jul 03 2022

web section c current audit applied gdpmds standard hsa ts 01 rev 2 1 dated september 2012 or ss620 2016 date s of audit dd mm yyyy type of audit initial surveillance re certification special ad hoc please specify details total man days audit team leader audit team members

iras stamp duty basics for property holding entities - Feb 27 2022

web additional conveyance duties acd applies if you are acquiring or disposing of equity interests e g shares or units in property holding entities that own primarily residential properties in singapore phes the acd provision applies to the acquisition or disposal of equity interests by persons or entities who are significant owners of the

cahier des charges vs note de cadrage quelles différences - May 01 2022

web jul 25 2023 bien que le cahier des charges et la note de cadrage résumant tous les deux les informations importantes pour un projet il existe de subtiles différences entre ces documents de pilotage projet le cahier des charges le cahier des charges est l'expression des attentes besoins et exigences du client représentée sous la forme de

cadrages et da c bordements copy legacy theoc - Sep 17 2023

web cadrages et da c bordements 3 3 victimization the racial sympathies and hostilities that surfaced during the trial of the police in the beating of rodney king and in the o j simpson murder trial are grounded in the melodramatic forms of uncle tom s cabin and the birth of a nation williams finds that stowe s beaten black man and griffith s

cadrages et da c bordements 2022 - Jul 15 2023

web cadrages et da c bordements downloaded from 2013 thecontemporaryaustin org by guest yu riley distant proximities routledge in the sixteenth century and seventeenth centuries it was women who were almost exclusively persecuted as witches however the witch craze has been subjected to surprisingly little feminist analysis