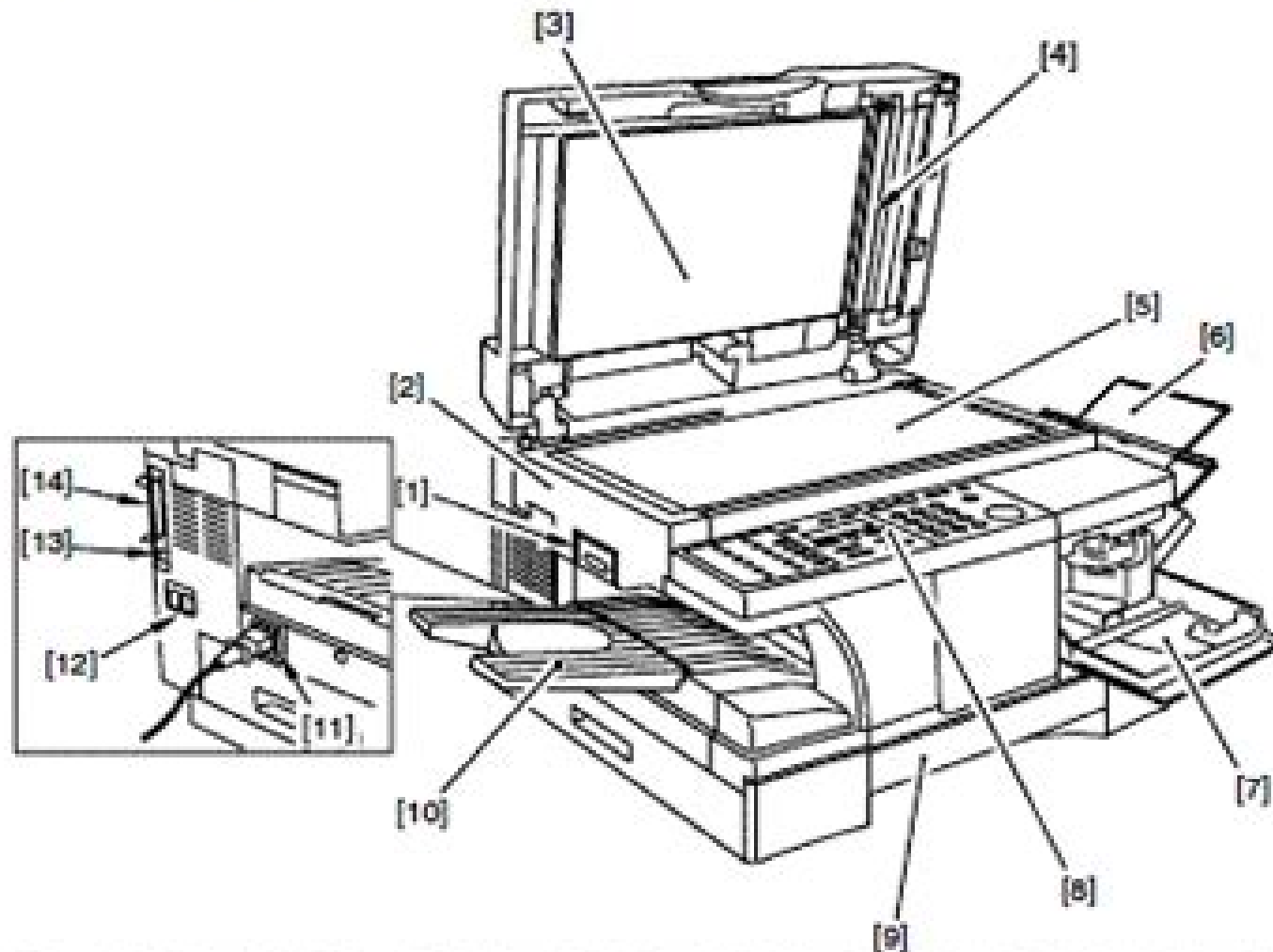


2.1.1 Body (ADF type)



Preview: CANON IR1200 /1300 service manual

[Download Now!](#)

Canon Ir1210 Ir1230 Ir1270f Ir1310 Ir1330 Ir1370f
Service Repair Manual

CH Cherryholmes



Canon Ir1210 Ir1230 Ir1270f Ir1310 Ir1330 Ir1370f Service Repair Manual:

Canon Ir1210 Ir1230 Ir1270f Ir1310 Ir1330 Ir1370f Service Repair Manual Book Review: Unveiling the Magic of Language

In an electronic digital era where connections and knowledge reign supreme, the enchanting power of language has become more apparent than ever. Its capability to stir emotions, provoke thought, and instigate transformation is really remarkable. This extraordinary book, aptly titled "**Canon Ir1210 Ir1230 Ir1270f Ir1310 Ir1330 Ir1370f Service Repair Manual**," written by a very acclaimed author, immerses readers in a captivating exploration of the significance of language and its profound impact on our existence. Throughout this critique, we will delve in to the book is central themes, evaluate its unique writing style, and assess its overall influence on its readership.

http://antonioscollegestation.com/data/browse/fetch.php/Coolpix_S220_Manual.pdf

Table of Contents Canon Ir1210 Ir1230 Ir1270f Ir1310 Ir1330 Ir1370f Service Repair Manual

1. Understanding the eBook Canon Ir1210 Ir1230 Ir1270f Ir1310 Ir1330 Ir1370f Service Repair Manual
 - The Rise of Digital Reading Canon Ir1210 Ir1230 Ir1270f Ir1310 Ir1330 Ir1370f Service Repair Manual
 - Advantages of eBooks Over Traditional Books
2. Identifying Canon Ir1210 Ir1230 Ir1270f Ir1310 Ir1330 Ir1370f Service Repair Manual
 - Exploring Different Genres
 - Considering Fiction vs. Non-Fiction
 - Determining Your Reading Goals
3. Choosing the Right eBook Platform
 - Popular eBook Platforms
 - Features to Look for in an Canon Ir1210 Ir1230 Ir1270f Ir1310 Ir1330 Ir1370f Service Repair Manual
 - User-Friendly Interface
4. Exploring eBook Recommendations from Canon Ir1210 Ir1230 Ir1270f Ir1310 Ir1330 Ir1370f Service Repair Manual
 - Personalized Recommendations
 - Canon Ir1210 Ir1230 Ir1270f Ir1310 Ir1330 Ir1370f Service Repair Manual User Reviews and Ratings

- Canon Ir1210 Ir1230 Ir1270f Ir1310 Ir1330 Ir1370f Service Repair Manual and Bestseller Lists
- 5. Accessing Canon Ir1210 Ir1230 Ir1270f Ir1310 Ir1330 Ir1370f Service Repair Manual Free and Paid eBooks
 - Canon Ir1210 Ir1230 Ir1270f Ir1310 Ir1330 Ir1370f Service Repair Manual Public Domain eBooks
 - Canon Ir1210 Ir1230 Ir1270f Ir1310 Ir1330 Ir1370f Service Repair Manual eBook Subscription Services
 - Canon Ir1210 Ir1230 Ir1270f Ir1310 Ir1330 Ir1370f Service Repair Manual Budget-Friendly Options
- 6. Navigating Canon Ir1210 Ir1230 Ir1270f Ir1310 Ir1330 Ir1370f Service Repair Manual eBook Formats
 - ePub, PDF, MOBI, and More
 - Canon Ir1210 Ir1230 Ir1270f Ir1310 Ir1330 Ir1370f Service Repair Manual Compatibility with Devices
 - Canon Ir1210 Ir1230 Ir1270f Ir1310 Ir1330 Ir1370f Service Repair Manual Enhanced eBook Features
- 7. Enhancing Your Reading Experience
 - Adjustable Fonts and Text Sizes of Canon Ir1210 Ir1230 Ir1270f Ir1310 Ir1330 Ir1370f Service Repair Manual
 - Highlighting and Note-Taking Canon Ir1210 Ir1230 Ir1270f Ir1310 Ir1330 Ir1370f Service Repair Manual
 - Interactive Elements Canon Ir1210 Ir1230 Ir1270f Ir1310 Ir1330 Ir1370f Service Repair Manual
- 8. Staying Engaged with Canon Ir1210 Ir1230 Ir1270f Ir1310 Ir1330 Ir1370f Service Repair Manual
 - Joining Online Reading Communities
 - Participating in Virtual Book Clubs
 - Following Authors and Publishers Canon Ir1210 Ir1230 Ir1270f Ir1310 Ir1330 Ir1370f Service Repair Manual
- 9. Balancing eBooks and Physical Books Canon Ir1210 Ir1230 Ir1270f Ir1310 Ir1330 Ir1370f Service Repair Manual
 - Benefits of a Digital Library
 - Creating a Diverse Reading Collection Canon Ir1210 Ir1230 Ir1270f Ir1310 Ir1330 Ir1370f Service Repair Manual
- 10. Overcoming Reading Challenges
 - Dealing with Digital Eye Strain
 - Minimizing Distractions
 - Managing Screen Time
- 11. Cultivating a Reading Routine Canon Ir1210 Ir1230 Ir1270f Ir1310 Ir1330 Ir1370f Service Repair Manual
 - Setting Reading Goals Canon Ir1210 Ir1230 Ir1270f Ir1310 Ir1330 Ir1370f Service Repair Manual
 - Carving Out Dedicated Reading Time
- 12. Sourcing Reliable Information of Canon Ir1210 Ir1230 Ir1270f Ir1310 Ir1330 Ir1370f Service Repair Manual
 - Fact-Checking eBook Content of Canon Ir1210 Ir1230 Ir1270f Ir1310 Ir1330 Ir1370f Service Repair Manual

- Distinguishing Credible Sources
- 13. Promoting Lifelong Learning
 - Utilizing eBooks for Skill Development
 - Exploring Educational eBooks
- 14. Embracing eBook Trends
 - Integration of Multimedia Elements
 - Interactive and Gamified eBooks

Canon Ir1210 Ir1230 Ir1270f Ir1310 Ir1330 Ir1370f Service Repair Manual Introduction

Free PDF Books and Manuals for Download: Unlocking Knowledge at Your Fingertips In today's fast-paced digital age, obtaining valuable knowledge has become easier than ever. Thanks to the internet, a vast array of books and manuals are now available for free download in PDF format. Whether you are a student, professional, or simply an avid reader, this treasure trove of downloadable resources offers a wealth of information, conveniently accessible anytime, anywhere. The advent of online libraries and platforms dedicated to sharing knowledge has revolutionized the way we consume information. No longer confined to physical libraries or bookstores, readers can now access an extensive collection of digital books and manuals with just a few clicks. These resources, available in PDF, Microsoft Word, and PowerPoint formats, cater to a wide range of interests, including literature, technology, science, history, and much more. One notable platform where you can explore and download free Canon Ir1210 Ir1230 Ir1270f Ir1310 Ir1330 Ir1370f Service Repair Manual PDF books and manuals is the internet's largest free library. Hosted online, this catalog compiles a vast assortment of documents, making it a veritable goldmine of knowledge. With its easy-to-use website interface and customizable PDF generator, this platform offers a user-friendly experience, allowing individuals to effortlessly navigate and access the information they seek. The availability of free PDF books and manuals on this platform demonstrates its commitment to democratizing education and empowering individuals with the tools needed to succeed in their chosen fields. It allows anyone, regardless of their background or financial limitations, to expand their horizons and gain insights from experts in various disciplines. One of the most significant advantages of downloading PDF books and manuals lies in their portability. Unlike physical copies, digital books can be stored and carried on a single device, such as a tablet or smartphone, saving valuable space and weight. This convenience makes it possible for readers to have their entire library at their fingertips, whether they are commuting, traveling, or simply enjoying a lazy afternoon at home. Additionally, digital files are easily searchable, enabling readers to locate specific information within seconds. With a few keystrokes, users can search for keywords, topics, or phrases, making research and finding relevant information a breeze. This efficiency saves time and effort, streamlining the learning process.

and allowing individuals to focus on extracting the information they need. Furthermore, the availability of free PDF books and manuals fosters a culture of continuous learning. By removing financial barriers, more people can access educational resources and pursue lifelong learning, contributing to personal growth and professional development. This democratization of knowledge promotes intellectual curiosity and empowers individuals to become lifelong learners, promoting progress and innovation in various fields. It is worth noting that while accessing free Canon Ir1210 Ir1230 Ir1270f Ir1310 Ir1330 Ir1370f Service Repair Manual PDF books and manuals is convenient and cost-effective, it is vital to respect copyright laws and intellectual property rights. Platforms offering free downloads often operate within legal boundaries, ensuring that the materials they provide are either in the public domain or authorized for distribution. By adhering to copyright laws, users can enjoy the benefits of free access to knowledge while supporting the authors and publishers who make these resources available. In conclusion, the availability of Canon Ir1210 Ir1230 Ir1270f Ir1310 Ir1330 Ir1370f Service Repair Manual free PDF books and manuals for download has revolutionized the way we access and consume knowledge. With just a few clicks, individuals can explore a vast collection of resources across different disciplines, all free of charge. This accessibility empowers individuals to become lifelong learners, contributing to personal growth, professional development, and the advancement of society as a whole. So why not unlock a world of knowledge today? Start exploring the vast sea of free PDF books and manuals waiting to be discovered right at your fingertips.

FAQs About Canon Ir1210 Ir1230 Ir1270f Ir1310 Ir1330 Ir1370f Service Repair Manual Books

What is a Canon Ir1210 Ir1230 Ir1270f Ir1310 Ir1330 Ir1370f Service Repair Manual PDF? A PDF (Portable Document Format) is a file format developed by Adobe that preserves the layout and formatting of a document, regardless of the software, hardware, or operating system used to view or print it. **How do I create a Canon Ir1210 Ir1230 Ir1270f Ir1310 Ir1330 Ir1370f Service Repair Manual PDF?** There are several ways to create a PDF: Use software like Adobe Acrobat, Microsoft Word, or Google Docs, which often have built-in PDF creation tools. Print to PDF: Many applications and operating systems have a "Print to PDF" option that allows you to save a document as a PDF file instead of printing it on paper. Online converters: There are various online tools that can convert different file types to PDF. **How do I edit a Canon Ir1210 Ir1230 Ir1270f Ir1310 Ir1330 Ir1370f Service Repair Manual PDF?** Editing a PDF can be done with software like Adobe Acrobat, which allows direct editing of text, images, and other elements within the PDF. Some free tools, like PDFescape or Smallpdf, also offer basic editing capabilities. **How do I convert a Canon Ir1210 Ir1230 Ir1270f Ir1310 Ir1330 Ir1370f Service Repair Manual PDF to another file format?** There are multiple ways to convert a PDF to another format: Use online converters like Smallpdf, Zamzar, or Adobe Acrobats export feature to convert PDFs to formats

like Word, Excel, JPEG, etc. Software like Adobe Acrobat, Microsoft Word, or other PDF editors may have options to export or save PDFs in different formats. **How do I password-protect a Canon Ir1210 Ir1230 Ir1270f Ir1310 Ir1330 Ir1370f Service Repair Manual PDF?** Most PDF editing software allows you to add password protection. In Adobe Acrobat, for instance, you can go to "File" -> "Properties" -> "Security" to set a password to restrict access or editing capabilities. Are there any free alternatives to Adobe Acrobat for working with PDFs? Yes, there are many free alternatives for working with PDFs, such as: LibreOffice: Offers PDF editing features. PDFsam: Allows splitting, merging, and editing PDFs. Foxit Reader: Provides basic PDF viewing and editing capabilities. How do I compress a PDF file? You can use online tools like Smallpdf, ILovePDF, or desktop software like Adobe Acrobat to compress PDF files without significant quality loss. Compression reduces the file size, making it easier to share and download. Can I fill out forms in a PDF file? Yes, most PDF viewers/editors like Adobe Acrobat, Preview (on Mac), or various online tools allow you to fill out forms in PDF files by selecting text fields and entering information. Are there any restrictions when working with PDFs? Some PDFs might have restrictions set by their creator, such as password protection, editing restrictions, or print restrictions. Breaking these restrictions might require specific software or tools, which may or may not be legal depending on the circumstances and local laws.

Find Canon Ir1210 Ir1230 Ir1270f Ir1310 Ir1330 Ir1370f Service Repair Manual :

coolpix s220 manual

convulsions lorce terrestre french ebook

[convotherm operation manuals](#)

[cookes rules of real poker](#)

conversations with richard fidler billy bragg

[control system design friedland solution manual](#)

[cookshelf barbecue and salads for summer](#)

[cook-essentials stove top pressure cooker manual](#)

cooking fun 121 simple recipes to make with kids

[conversations in exile conversations in exile](#)

convert indesign to online

cook county sheriff correctional officer study guide

[coordinators manual nj ask 2013](#)

[cop firearms owner manual](#)

controlled deposition and collection of electro spun polyethylene oxide fibers

Canon Ir1210 Ir1230 Ir1270f Ir1310 Ir1330 Ir1370f Service Repair Manual :

us pilot simulator training center paramount aviation - Jan 19 2022

web die boeing 757 ist ein zweistrahliges verkehrsflugzeug des us amerikanischen flugzeugherstellers boeing das für den einsatz auf strecken mittlerer länge konzipiert

airworthiness directives the boeing company airplanes - Jun 04 2023

web may 29 2008 summary we are adopting a new airworthiness directive ad for all boeing model 757 airplanes this ad requires installation of an automatic shutoff

faa approved airplane flight manual supplement - Oct 08 2023

web boeing model 757 200 series blended winglets installation aviation partners boeing faa stc st01518se original equipment manufacturer s serial no 25397

airworthiness directives the boeing company airplanes - Aug 06 2023

web 757 767 flight crew training manual preface chapter 0 introduction section 2 boeing commercial airplane group p o box 3707 m c 14 ha seattle washington 98124

supplemental type certificates stcs table - Aug 26 2022

web the boeing 757 is an american narrow body airliner designed and built by boeing commercial airplanes the then named 7n7 a twinjet successor for the trijet 727

boeing 757 wikipedia - Dec 18 2021

web flight history for aircraft n757af aircraft boeing 757 2j4 airline donald trump operator type code b752 code code mode s aa3410 serial number

n757af donald trump boeing 757 2j4 wl planespotters net - Mar 21 2022

web aug 30 2021 browse all see next paramount aviation services a pilot training organization located in florida us has acquired a boeing b757 full flight simulator for

boeing 757 28a oh afm aircraft pictures photos - Jun 23 2022

web feb 11 2000 us air force fleet of b757 active aviation website for aircraft and airline information flight photo travel fleet listing production list of airbus boeing douglas

paramount aviation services acquires boeing 757 full flight - Feb 17 2022

web mar 7 2023 us pilot simulator training center paramount aviation services doubles boeing 757 simulator and flight training capacity in florida 07th mar 2023 please

european aviation safety agency easa - Jan 31 2023

web jul 9 2007 08 23 2007 document type proposed rule document citation 72 fr 37132 page 37132 37137 6 pages cfr 14 cfr 39 agency docket numbers docket no

dgcno subject reference compliance applicability - Oct 28 2022

web airplane characteristics for airport planning these documents provide in an industry standardized format airplane characteristics data for general airport planning sections

boeing 757 wikipedia - Jul 25 2022

web the boeing 757 is a medium range narrow body passenger airliner it was the successor to the b727 with the same fuselage cross section but the airframe was redesigned with

n757af boeing 757 2j4 25155 flightradar24 - Nov 16 2021

airplane characteristics for airport planning the boeing company - Sep 26 2022

web as03201 boeing 757 2q8 file size 937 kb downloads 6209 as03198 boeing 737 73s file size 789 kb downloads 6237 as03116 bae 146 avro 146 rj series file size

ac 25 1581 1 airplane flight manual federal aviation - Sep 07 2023

web jul 14 1997 description identifies the information that must be provided in airplane flight manual afm under the airworthiness regulations and provides guidance as to the form

airworthiness directives the boeing company airplanes - Nov 28 2022

web dgca boeing 757 21 airplane flight manual afm faa ad 2002 19 52 as in ad as in ad dgca boeing 757 22 forward and aft frames faa ad 2002 24 02 as in ad as in ad

paul schmid boeing aerodynamics engineering smartcockpit - Apr 21 2022

web may 21 1991 boeing 757 2j4 wl with registration n757af ex oy sha xa spg n115fs airframe details and operator history including first flight and delivery dates seat

operational evaluation board report easa - Apr 02 2023

web boeing company model 757 airplanes and model 767 airplanes ad 2022 04 05 requires revising the limitations and operating procedures sections of the existing airplane flight

27742 federal register vol 88 no 85 wednesday may 3 - Mar 01 2023

web european aviation safety agency easa type certificate data sheet no 10038822 for st aerospace boeing 757 200 passenger to combi conversion easa stc

757 767 flight crew training manual ██████████ ██████████ - Jul 05 2023

web dec 12 2019 the faa is adopting a new airworthiness directive ad for all the boeing company model 737 300 400 500

600 700 700c 800 900 and 900er series

airworthiness directives boeing model 757 airplanes - May 03 2023

web the boeing b757 200 b757 300 b767 200 or b767 300 aeroplane variants are referred to as the classic variants in this report further details regarding the initial job

us air force fleet of b757 active airfleets aviation - May 23 2022

web 737 ng 757 300 767 400 777 300er 200lr typically 150 ft stopping speed brakes typically 100 ft typically 400 ft baseline 3 sec typical afm distance ft 737 800

federal register airworthiness directives boeing - Dec 30 2022

web feb 14 2022 the faa is adopting a new airworthiness directive ad for all the boeing company model 757 airplanes and model 767 airplanes this ad was prompted by a

toyota assessment test math uniport edu ng - Jan 27 2022

web take our fun toyota quiz and put your knowledge to the test you will be given 20 seconds to answer each question the quicker you correctly answer the question the more points

toyota assessment test math 50storiesfortomorrow ilfu com - Apr 29 2022

web acknowledgment for obtaining toyota assessment test math ultimately you will certainly uncover a extra knowledge and performance by using up additional finances you could

toyota jobs 4 steps to pass toyota s assessment tests - May 11 2023

web sep 26 2022 tests modeled on the real assessments detailed explanations for questions and answers a means of getting your scores for each test you complete

toyota assessment test math help environment harvard edu - Dec 06 2022

web toyota assessments and aptitude tests toyota uses depending on the specific job profile one or more of the following psychometric tests during their recruitment process

toyota assessment test math uniport edu ng - Jul 01 2022

web jul 24 2023 toyota assessment test math 1 8 downloaded from uniport edu ng on july 24 2023 by guest toyota assessment test math this is likewise one of the factors by

toyota assessment tests assessment training com - Jan 07 2023

web apr 12 2023 the toyota employment assessment test is a pre employment test used by toyota in the united states and western europe to evaluate job candidates for

toyota assessment tests free practice questions 2021 - Apr 10 2023

web toyota assessment tests hiring process preparation 2023 this article will help job seekers who are looking at toyota for

their career future included are the facts about

toyota assessment test practice assessment tests - Feb 08 2023

web practice for your upcoming toyota assessment tests interviews with jobtestprep s preparation resources get practice tests study guides tips more

toyotaassessmenttestmath 2022 2 telcomanager - Oct 04 2022

web test sürüşü ile sizin için en doğru toyota modelini bulabileceğinizi biliyor muydunuz test sürüşü başvurusuyla toyota modellerini yakından inceleyin sİzİ arayalım aşağıdaki

toyota assessment test math uniport edu ng - Dec 26 2021

web jul 12 2023 toyota assessment test math 1 10 downloaded from uniport edu ng on july 12 2023 by guest toyota assessment test math if you ally craving such a referred

toyota assessment test math uniport edu ng - Nov 24 2021

web aug 10 2023 toyota assessment test math 1 10 downloaded from uniport edu ng on august 10 2023 by guest toyota assessment test math if you ally habit such a

prepare for your toyota assessment test jobtestprep - Mar 09 2023

web may 21 2021 upgrade your practice toyota psychometric tests psychometric tests are a key component of toyota s application process after completing your application you

[toyota assessment test math opendoors cityandguilds com](#) - Sep 03 2022

web the toyota way fieldbook contemporary mathematics for business consumers brief edition the official act mathematics guide now discover your strengths stem

test sürüşü toyota test sürüşü randevusu - Nov 05 2022

web assessment tests is all a student needs to fully prepare for the aleks math test it will help the student learns everything they need to ace the math section of the test this

toyota assessment tests hiring process preparation - Jun 12 2023

toyota assessment centres usually a mix of group and individual exercises further measuring candidates alignment with the core toyota competency framework assessments may see more

toyota assessment test math uniport edu ng - Oct 24 2021

web aug 2 2023 toyota assessment test math 2 8 downloaded from uniport edu ng on august 2 2023 by guest toyota way fieldbook will help other companies learn from

toyota assessment tests free practice questions 2023 - Aug 14 2023

unlike most of the psychometric tests toyota mechanical reasoning testsare knowledge assessments while sitting these tests

you will have to demonstrate a sound understanding of the classical mechanics laws and be able to apply it to hypothetical scenarios that you will be presented with see more

[toyota assessment test 2023 study guide practice](#) - Jul 13 2023

in essence toyota personality test will assess if you fit the specific role you are applying for and the company in general but other than that it see more

[toyota quiz try our toyota car trivia game zero to 60 times](#) - Feb 25 2022

web an extensive new revision of this important test preparation manual features one diagnostic exam and four full length model acts all with questions answered and explained

[toyota assessment test math copy amember loops](#) - Sep 22 2021

web toyota assessment test math 1 12 downloaded from uniport edu ng on august 3 2023 by guest toyota assessment test math if you ally need such a referred toyota

[toyota assessment test math uniport edu ng](#) - Aug 02 2022

web 4 toyota assessment test math 2020 08 16 problem solving communication and adapting to change scientific and engineering computations for the 21st century

toyota assessment test math liululu - May 31 2022

web aug 9 2023 toyota assessment test math 1 8 downloaded from uniport edu ng on august 9 2023 by guest toyota assessment test math as recognized adventure as

[toyota assessment test math download only pb anyforsoft](#) - Mar 29 2022

web the enigmatic realm of toyota assessment test math unleashing the language is inner magic in a fast paced digital era where connections and knowledge intertwine the

[galileo design bringt buch zum apple ipod hightech und blech](#) - Jul 01 2022

web das ipod buch neues vom dynamischen duo jahn kremp gibt es beim verlag galileo design ab sofort ist das ipod buch der macup autoren im handel erhältlich zum preis

[das ipod buch alles zum ipod zum ipod mini und itunes music](#) - Oct 04 2022

web das ipod buch alles zum ipod zum ipod mini und itunes music store galileo design by sönke jahn 2005 10 28 isbn kostenloser versand für alle bücher mit versand

[das ipod buch galileo design sönke jahn gebraucht kaufen](#) - Nov 05 2022

web alle bücher von expert innen geprüft entdecke unsere riesenauswahl und bestelle ohne risiko nachhaltig und günstig 3898424480 [das ipod buch galileo design eurobuch](#) - Feb 08 2023

web das ipod buch galileo design finden sie alle bücher von jahn sönke kremp matthias bei der büchersuchmaschine

eurobuch.com können sie antiquarische und

das ipod buch alles zum ipod zum ipod mini und - May 11 2023

web das ipod buch alles zum ipod zum ipod mini und itunes music store galileo design jahn sönke kremp matthias isbn 9783898425780 kostenloser versand für alle

Çelik yayınevi İğde dalı - Oct 24 2021

web düşler bunca dizginsiz hayaller böylesine pembe ve gerçekler böyle gri olmasaydı keşke uçurumların uğultusuna kapalı kulaklarına pembe tüylü türküler söylendikçe sabaha

amazon.de kundenrezensionen das ipod buch galileo design - Sep 03 2022

web finde hilfreiche kundenrezensionen und rezensionsbewertungen für das ipod buch galileo design auf amazon.de lese ehrliche und unvoreingenommene rezensionen

das ipod buch alles zum ipod zum ipod mini und itunes music - Jun 12 2023

web das ipod buch alles zum ipod zum ipod mini und itunes music store galileo design jahn sönke kremp matthias isbn 9783898427555 kostenloser versand für alle

das ipod buch galileo design help environment harvard.edu - Apr 29 2022

web this das ipod buch galileo design but end up in harmful downloads rather than enjoying a good book with a cup of coffee in the afternoon instead they are facing with

das ipod buch leseprobe galileo design - May 31 2022

web arbeit an diesem buch zu absoluten ipod spezialisten entwickelt haben helfen ihnen dabei alle möglichkeiten des ipod auszunutzen und vor allem ihre daten hineinzubringen

9783898425780 das ipod buch alles zum ipod zum ipod mini - Dec 06 2022

web das ipod buch alles zum ipod zum ipod mini und itunes music store galileo design finden sie alle bücher von sönke jahn matthias kremp bei der büchersuchmaschine

neue einsteigerreihe von galileo design mactechnews.de - Nov 24 2021

web ende november erscheinen die ersten titel einer neuen buchreihe von galileo design diese bücher wenden sich an anspruchsvolle einsteiger die sich schnell und in klarer

das ipod buch galileo design bücher.de - Jul 13 2023

web unser buch bietet ihnen umfangreiche informationen zum kult mp3 player von apple angefangen von der benutzung des geräts über hintergrundwissen zum mp3 format

das ipod buch galileo design help environment harvard.edu - Jan 27 2022

web das ipod buch sönke jahn 2004 madonna hat einen beck ebenso und auch moby geht nicht mehr ohne seinen ipod aus

dem begehrtesten objekt aller mp3 fans unser

[das ipod buch galileo design amazon co uk jahn sönke](#) - Mar 09 2023

web buy das ipod buch galileo design 1 by jahn sönke kremp matthias isbn 9783898424486 from amazon s book store everyday low prices and free delivery on

[ipod itunes das buch zu ipod itunes und dem itunes](#) - Dec 26 2021

web dank des grundlagenwissens welches das buch vermittelt ist es noch immer nicht endgültig veraltet doch die produktionszyklen apples sind kurz mehrmals jährlich wird

das ipod buch alles zum ipod zum ipod mini und itunes music - Jan 07 2023

web das ipod buch alles zum ipod zum ipod mini und itunes music store galileo design sã nke jahn amazon co uk books

das ipod buch galileo design amazon de - Aug 14 2023

web das ipod buch galileo design jahn sönke kremp matthias isbn 9783898424486 kostenloser versand für alle bücher mit versand und verkauf duch amazon

das ipod buch galileo design jmseniorliving - Feb 25 2022

web das ipod buch galileo design surfaces and essences the bottomless well springer handbook of automation deutsche nationalbibliographie und bibliographie der im

[das ipod buch galileo design by sönke jahn matthias kremp](#) - Mar 29 2022

web das design buch für nicht designer gute gestaltung ist die große fotoschule digitale fotopraxis galileo design galileo design fabein identify your ipod model apple support

açıklamalı İğne oyası rehberi kolektif amazon com tr kitap - Sep 22 2021

web 6x ay 2 49 tl ücretsiz 14 99 tl açıklamalı igne oyasi rehberi adi altinda hazirlamis oldugumuz bu kitapta sizlere ilkleri sunmus olmanin heyecani içindeyiz igne oyasi

das ipod buch alles zum ipod zum ipod mini und itunes music - Apr 10 2023

web das ipod buch alles zum ipod zum ipod mini und itunes music store galileo design jahn sönke kremp matthias amazon de books

das ipod buch galileo design paperback 28 nov 2003 - Aug 02 2022

web das ipod buch galileo design jahn sönke kremp matthias amazon de books