

PM0535202.04

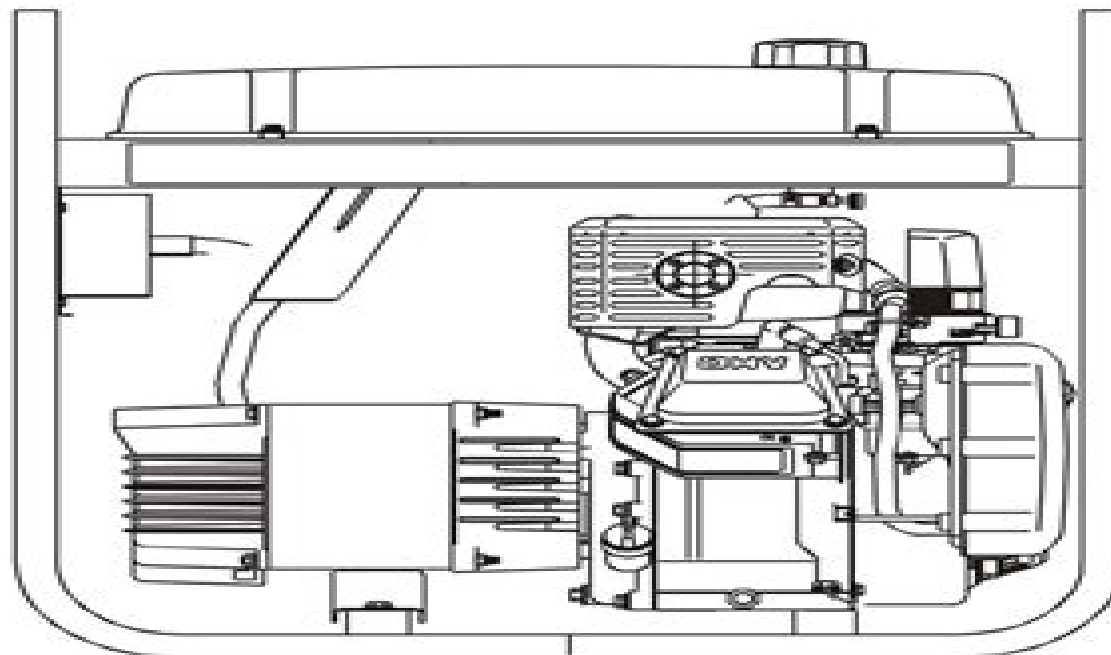
Insert
Additif
Adición

Coleman  **Powermate**[®]

Pro-Gen 5000 – ELECTRIC GENERATOR

Pro-Gen 5000 – GROUPE ELECTROGENE

Pro-Gen 5000 – GENERADOR ELECTRICO



IMPORTANT – Please make certain that persons who are to use this equipment thoroughly read and understand these instructions and any additional instructions provided prior to operation.

IMPORTANT - Prière de vous assurer que les personnes destinées à utiliser cet appareil ont pris soin d'en lire et d'en comprendre le mode d'emploi ou les directives avant de le mettre en marche.

IMPORTANTE. Asegúrese que las personas que utilizarán este equipo lean y entiendan completamente estas instrucciones y cualquier instrucción adicional proporcionada antes del funcionamiento.

Coleman Powermate Maxa 5000 Er Owners Manual

Michael Brown



Coleman Powermate Maxa 5000 Er Owners Manual:

This is likewise one of the factors by obtaining the soft documents of this **Coleman Powermate Maxa 5000 Er Owners Manual** by online. You might not require more epoch to spend to go to the ebook opening as skillfully as search for them. In some cases, you likewise attain not discover the broadcast Coleman Powermate Maxa 5000 Er Owners Manual that you are looking for. It will extremely squander the time.

However below, with you visit this web page, it will be correspondingly definitely simple to acquire as well as download lead Coleman Powermate Maxa 5000 Er Owners Manual

It will not take many era as we run by before. You can complete it though pretend something else at house and even in your workplace. hence easy! So, are you question? Just exercise just what we pay for below as well as evaluation **Coleman Powermate Maxa 5000 Er Owners Manual** what you in the manner of to read!

http://antonioscollegestation.com/data/uploaded-files/index.jsp/detained_and_deported_stories_of_immigrant_families_under_fire.pdf

Table of Contents Coleman Powermate Maxa 5000 Er Owners Manual

1. Understanding the eBook Coleman Powermate Maxa 5000 Er Owners Manual
 - The Rise of Digital Reading Coleman Powermate Maxa 5000 Er Owners Manual
 - Advantages of eBooks Over Traditional Books
2. Identifying Coleman Powermate Maxa 5000 Er Owners Manual
 - Exploring Different Genres
 - Considering Fiction vs. Non-Fiction
 - Determining Your Reading Goals
3. Choosing the Right eBook Platform
 - Popular eBook Platforms
 - Features to Look for in an Coleman Powermate Maxa 5000 Er Owners Manual
 - User-Friendly Interface

4. Exploring eBook Recommendations from Coleman Powermate Maxa 5000 Er Owners Manual
 - Personalized Recommendations
 - Coleman Powermate Maxa 5000 Er Owners Manual User Reviews and Ratings
 - Coleman Powermate Maxa 5000 Er Owners Manual and Bestseller Lists
5. Accessing Coleman Powermate Maxa 5000 Er Owners Manual Free and Paid eBooks
 - Coleman Powermate Maxa 5000 Er Owners Manual Public Domain eBooks
 - Coleman Powermate Maxa 5000 Er Owners Manual eBook Subscription Services
 - Coleman Powermate Maxa 5000 Er Owners Manual Budget-Friendly Options
6. Navigating Coleman Powermate Maxa 5000 Er Owners Manual eBook Formats
 - ePub, PDF, MOBI, and More
 - Coleman Powermate Maxa 5000 Er Owners Manual Compatibility with Devices
 - Coleman Powermate Maxa 5000 Er Owners Manual Enhanced eBook Features
7. Enhancing Your Reading Experience
 - Adjustable Fonts and Text Sizes of Coleman Powermate Maxa 5000 Er Owners Manual
 - Highlighting and Note-Taking Coleman Powermate Maxa 5000 Er Owners Manual
 - Interactive Elements Coleman Powermate Maxa 5000 Er Owners Manual
8. Staying Engaged with Coleman Powermate Maxa 5000 Er Owners Manual
 - Joining Online Reading Communities
 - Participating in Virtual Book Clubs
 - Following Authors and Publishers Coleman Powermate Maxa 5000 Er Owners Manual
9. Balancing eBooks and Physical Books Coleman Powermate Maxa 5000 Er Owners Manual
 - Benefits of a Digital Library
 - Creating a Diverse Reading Collection Coleman Powermate Maxa 5000 Er Owners Manual
10. Overcoming Reading Challenges
 - Dealing with Digital Eye Strain
 - Minimizing Distractions
 - Managing Screen Time
11. Cultivating a Reading Routine Coleman Powermate Maxa 5000 Er Owners Manual
 - Setting Reading Goals Coleman Powermate Maxa 5000 Er Owners Manual
 - Carving Out Dedicated Reading Time

12. Sourcing Reliable Information of Coleman Powermate Maxa 5000 Er Owners Manual
 - Fact-Checking eBook Content of Coleman Powermate Maxa 5000 Er Owners Manual
 - Distinguishing Credible Sources
13. Promoting Lifelong Learning
 - Utilizing eBooks for Skill Development
 - Exploring Educational eBooks
14. Embracing eBook Trends
 - Integration of Multimedia Elements
 - Interactive and Gamified eBooks

Coleman Powermate Maxa 5000 Er Owners Manual Introduction

In today's digital age, the availability of Coleman Powermate Maxa 5000 Er Owners Manual books and manuals for download has revolutionized the way we access information. Gone are the days of physically flipping through pages and carrying heavy textbooks or manuals. With just a few clicks, we can now access a wealth of knowledge from the comfort of our own homes or on the go. This article will explore the advantages of Coleman Powermate Maxa 5000 Er Owners Manual books and manuals for download, along with some popular platforms that offer these resources. One of the significant advantages of Coleman Powermate Maxa 5000 Er Owners Manual books and manuals for download is the cost-saving aspect. Traditional books and manuals can be costly, especially if you need to purchase several of them for educational or professional purposes. By accessing Coleman Powermate Maxa 5000 Er Owners Manual versions, you eliminate the need to spend money on physical copies. This not only saves you money but also reduces the environmental impact associated with book production and transportation. Furthermore, Coleman Powermate Maxa 5000 Er Owners Manual books and manuals for download are incredibly convenient. With just a computer or smartphone and an internet connection, you can access a vast library of resources on any subject imaginable. Whether you're a student looking for textbooks, a professional seeking industry-specific manuals, or someone interested in self-improvement, these digital resources provide an efficient and accessible means of acquiring knowledge. Moreover, PDF books and manuals offer a range of benefits compared to other digital formats. PDF files are designed to retain their formatting regardless of the device used to open them. This ensures that the content appears exactly as intended by the author, with no loss of formatting or missing graphics. Additionally, PDF files can be easily annotated, bookmarked, and searched for specific terms, making them highly practical for studying or referencing. When it comes to accessing Coleman Powermate Maxa 5000 Er Owners Manual books and manuals, several platforms offer an extensive collection of resources. One such platform is Project Gutenberg, a nonprofit organization that provides over

60,000 free eBooks. These books are primarily in the public domain, meaning they can be freely distributed and downloaded. Project Gutenberg offers a wide range of classic literature, making it an excellent resource for literature enthusiasts. Another popular platform for Coleman Powermate Maxa 5000 Er Owners Manual books and manuals is Open Library. Open Library is an initiative of the Internet Archive, a non-profit organization dedicated to digitizing cultural artifacts and making them accessible to the public. Open Library hosts millions of books, including both public domain works and contemporary titles. It also allows users to borrow digital copies of certain books for a limited period, similar to a library lending system. Additionally, many universities and educational institutions have their own digital libraries that provide free access to PDF books and manuals. These libraries often offer academic texts, research papers, and technical manuals, making them invaluable resources for students and researchers. Some notable examples include MIT OpenCourseWare, which offers free access to course materials from the Massachusetts Institute of Technology, and the Digital Public Library of America, which provides a vast collection of digitized books and historical documents. In conclusion, Coleman Powermate Maxa 5000 Er Owners Manual books and manuals for download have transformed the way we access information. They provide a cost-effective and convenient means of acquiring knowledge, offering the ability to access a vast library of resources at our fingertips. With platforms like Project Gutenberg, Open Library, and various digital libraries offered by educational institutions, we have access to an ever-expanding collection of books and manuals. Whether for educational, professional, or personal purposes, these digital resources serve as valuable tools for continuous learning and self-improvement. So why not take advantage of the vast world of Coleman Powermate Maxa 5000 Er Owners Manual books and manuals for download and embark on your journey of knowledge?

FAQs About Coleman Powermate Maxa 5000 Er Owners Manual Books

How do I know which eBook platform is the best for me? Finding the best eBook platform depends on your reading preferences and device compatibility. Research different platforms, read user reviews, and explore their features before making a choice. Are free eBooks of good quality? Yes, many reputable platforms offer high-quality free eBooks, including classics and public domain works. However, make sure to verify the source to ensure the eBook credibility. Can I read eBooks without an eReader? Absolutely! Most eBook platforms offer webbased readers or mobile apps that allow you to read eBooks on your computer, tablet, or smartphone. How do I avoid digital eye strain while reading eBooks? To prevent digital eye strain, take regular breaks, adjust the font size and background color, and ensure proper lighting while reading eBooks. What the advantage of interactive eBooks? Interactive eBooks incorporate multimedia elements, quizzes, and activities, enhancing the reader engagement and providing a more immersive learning experience. Coleman Powermate Maxa 5000 Er

Owners Manual is one of the best book in our library for free trial. We provide copy of Coleman Powermate Maxa 5000 Er Owners Manual in digital format, so the resources that you find are reliable. There are also many Ebooks of related with Coleman Powermate Maxa 5000 Er Owners Manual. Where to download Coleman Powermate Maxa 5000 Er Owners Manual online for free? Are you looking for Coleman Powermate Maxa 5000 Er Owners Manual PDF? This is definitely going to save you time and cash in something you should think about. If you trying to find then search around for online. Without a doubt there are numerous these available and many of them have the freedom. However without doubt you receive whatever you purchase. An alternate way to get ideas is always to check another Coleman Powermate Maxa 5000 Er Owners Manual. This method for see exactly what may be included and adopt these ideas to your book. This site will almost certainly help you save time and effort, money and stress. If you are looking for free books then you really should consider finding to assist you try this. Several of Coleman Powermate Maxa 5000 Er Owners Manual are for sale to free while some are payable. If you arent sure if the books you would like to download works with for usage along with your computer, it is possible to download free trials. The free guides make it easy for someone to free access online library for download books to your device. You can get free download on free trial for lots of books categories. Our library is the biggest of these that have literally hundreds of thousands of different products categories represented. You will also see that there are specific sites catered to different product types or categories, brands or niches related with Coleman Powermate Maxa 5000 Er Owners Manual. So depending on what exactly you are searching, you will be able to choose e books to suit your own need. Need to access completely for Campbell Biology Seventh Edition book? Access Ebook without any digging. And by having access to our ebook online or by storing it on your computer, you have convenient answers with Coleman Powermate Maxa 5000 Er Owners Manual To get started finding Coleman Powermate Maxa 5000 Er Owners Manual, you are right to find our website which has a comprehensive collection of books online. Our library is the biggest of these that have literally hundreds of thousands of different products represented. You will also see that there are specific sites catered to different categories or niches related with Coleman Powermate Maxa 5000 Er Owners Manual So depending on what exactly you are searching, you will be able to choose ebook to suit your own need. Thank you for reading Coleman Powermate Maxa 5000 Er Owners Manual. Maybe you have knowledge that, people have search numerous times for their favorite readings like this Coleman Powermate Maxa 5000 Er Owners Manual, but end up in harmful downloads. Rather than reading a good book with a cup of coffee in the afternoon, instead they juggled with some harmful bugs inside their laptop. Coleman Powermate Maxa 5000 Er Owners Manual is available in our book collection an online access to it is set as public so you can download it instantly. Our digital library spans in multiple locations, allowing you to get the most less latency time to download any of our books like this one. Merely said, Coleman Powermate Maxa 5000 Er Owners Manual is universally compatible with any devices to read.

Find Coleman Powermate Maxa 5000 Er Owners Manual :

detained and deported stories of immigrant families under fire

deutz diesel parts manual

detail manual guide lg a275 user manual

deutz engine md151 manual

detecting and combating malicious email cade kamachi

deskjet repair manual

detours discipleship and dangling particples

dessein dela collectifs

destiny td jakes freedownload

detektiv conan 84 gosho aoyama

deutsch heute lab manual answers

deutsche gulag schicksal sowjetischen arbeitslagern

designing for learning creating campus environments for student success

detroit diesel engine and fuel manual dd13 dd15 dd16 engines

deskline manual

Coleman Powermate Maxa 5000 Er Owners Manual :

quantum mechanics 500 problems with solutions 500 - Mar 26 2023

web a good book for students who wish to learn various aspects of quantum mechanics on their own with an aim to develop skills in problem solving apart from regular stuff from

problems in quantum mechanics with solutions - Nov 21 2022

web buy quantum mechanics 500 problems with solutions by g aruldas online at alibris we have new and used copies available in 1 editions starting at 31 46 shop now

quantum mechanics 500 problems with solutions google books - Jul 30 2023

web this volume quantum mechanics problems with solutions contains detailed model solutions to the exercise problems formulated in the companion lecture notes volume

quantum mechanics 500 problems with solutions amazon de - Aug 19 2022

web aug 3 2020 check pages 1 50 of quantum mechanics 500 problems with solutions by g aruldas z lib org in the flip pdf

version quantum mechanics 500 problems with

quantum mechanics 500 problems with solutions - Jan 24 2023

web amazon in buy quantum mechanics 500 problems with solutions book online at best prices in india on amazon in read quantum mechanics 500 problems with

quantum mechanics problems with solutions book iopscience - Jun 28 2023

web problem set 10 solutions pdf this section provides the problem sets assigned for the course along with solutions

quantum mechanics 500 problems with solutions - Mar 14 2022

quantum mechanics 500 problems with solutions paperback - Dec 23 2022

web a good book for students who wish to learn various aspects of quantum mechanics on their own with an aim to develop skills in problem solving apart from regular stuff from

quantum mechanics 500 problems with solutions paperback - Feb 22 2023

web quantum mechanics 500 problems with solutions aruldhass g amazon com be books

quantum mechanics 500 problems with solutions alibris - Jul 18 2022

web quantum mechanics 500 problems with solutions by aruldhass g buy only for price rs 495 00 at phindia com

quantum mechanics 500 problems with solutions - Apr 26 2023

web buy quantum mechanics 500 problems with solutions by g aruldhass isbn 9788120340695 from amazon s book store everyday low prices and free delivery on

quantum mechanics 500 problems with solutions kindle edition - May 16 2022

web quantum mechanics 500 problems with solutions pdfdrive pdf download as a pdf or view online for free

quantum mechanics 500 problems with solutions kindle edition - Dec 11 2021

quantum mechanics 500 problems with solutions paperback - Oct 21 2022

web this collection of solved problems corresponds to the standard topics covered in established undergraduate and graduate courses in quantum mechanics problems

assignments quantum physics i mit opencourseware - May 28 2023

web quantum mechanics 500 problems with solutions 500 problems with solutions ebook written by g aruldhass read this book using google play books app on your pc

quantum mechanics 500 problems with solutions pdfdrive pdf - Jan 12 2022

quantum mechanics 500 problems with solutions harvard - Feb 10 2022

quantum mechanics 500 problems with solutions amazon in - Sep 19 2022

web jul 11 2013 quantum mechanics 500 problems with solutions ebook aruldhas g amazon co uk kindle store

quantum mechanics 500 problems with solutions by g - Apr 14 2022

web jul 11 2013 quantum mechanics 500 problems with solutions kindle edition by g aruldhas author format kindle edition 4 4 302 ratings see all formats and editions

problems and solutions in quantum mechanics - Jun 16 2022

web getting the books quantum mechanics 500 problems with solutions now is not type of challenging means you could not without help going later than book amassing or library

quantum mechanics 500 problems with solutions pdf - Aug 31 2023

web sep 30 2010 quantum mechanics is an important area of physics and students often find it tough from the understanding point of view by providing 500 problems with their

plus loin avec les cartes à puce cd rom inclus amazon fr - Aug 14 2023

web noté 5 achetez plus loin avec les cartes à puce cd rom inclus de gueulle patrick isbn 9782100072354 sur amazon fr des millions de livres livrés chez vous en 1 jour

plus loin avec les cartes à puce cd rom inclus paperback - Jul 13 2023

web plus loin avec les cartes à puce cd rom inclus gueulle on amazon com free shipping on qualifying offers plus loin avec les cartes à puce cd rom inclus

plus loin avec les cartes a puce cd rom inclus pdf ftp - Jan 27 2022

web plus loin avec les cartes a puce cd rom inclus télédétection satellitaire et pêcheries thonières océaniques Éléments de géologie mis à la portée de tout le monde et offrant

plus de carte réseau plus de port usb pas de lecteur cd - Apr 29 2022

web oct 14 2019 après réinstallation de windows 7 sur mon jolie ordinateur monté par un copain il y a 3 ans je n ai plus mes chères drivers de carte réseau de port usb clavier

plus loin avec les cartes a puce cd rom inclus uniport edu - Sep 22 2021

web apr 18 2023 plus loin avec les cartes à puce patrick gueulle 2004 la découverte de la fascinante technique des cartes à puce ne doit pas se borner à une simple initiation

cartesplus cartes plus toujours plus - May 31 2022

web paiements sécurisés par carte bancaire ou possibilité de régler avec paypal assurance comprise en cb et paypal notre

boutique en ligne vous proposes divers produits et

plus loin avec les cartes à puce cd rom inclus by patrick - Nov 24 2021

web aug 4 2023 april 13th 2020 pour le mun des mortels la carte à puce est un nouveau sésame qui auréolé d un indéniable mystère remplace peu à peu les clefs la monnaie et

plus loin avec les cartes à puce cd rom inclus by patrick - Mar 09 2023

web april 14th 2020 noté 5 achetez plus loin avec les cartes à puce cd rom inclus de gueulle patrick isbn 9782100072354 sur fr des millions de livres livrés chez vous en 1

plus loin avec les cartes a puce cd rom inclus pdf - Feb 25 2022

web may 9 2023 plus loin avec les cartes a puce cd rom inclus hence simple objets communicants sécurisés dominique paret 2017 09 01 cet ouvrage traite des aspects

plus loin avec les cartes à puce cd rom inclus ebay - Feb 08 2023

web les meilleures offres pour plus loin avec les cartes à puce cd rom inclus sont sur ebay comparez les prix et les spécificités des produits neufs et d occasion pleins d

plus loin avec les cartes à puce cd rom inclus by patrick - Jan 07 2023

web 4g ne sont plus rservees aux lire crite dans une carte puce tlcarte plus loin avec les cartes puce p gueulle librairie fr plus loin avec les cartes puce cd rom les

plus loin avec les cartes a puce cd rom inclus gareth - Sep 03 2022

web plus loin avec les cartes a puce cd rom inclus yeah reviewing a book plus loin avec les cartes a puce cd rom inclus could increase your close contacts listings

carte d extension wikipédia - Jul 01 2022

web dans un ordinateur une carte d extension est un ensemble de composants placés sur un circuit imprimé qui est connectable à la carte mère via un bus informatique le but d une

plus loin avec les cartes a puce cd rom inclus pdf - Oct 04 2022

web dec 22 2022 brésil vous trouverez une première partie en couleurs avec des cartes et des photos pour découvrir plus facilement le pays et repérer nos coups de cœur des

plus loin avec les cartes à puce cd rom inclus pasta blanda - Jun 12 2023

web plus loin avec les cartes à puce cd rom inclus gueulle amazon com mx libros saltar al contenido principal com mx hola elige tu dirección libros seleccionar el

plus loin avec les cartes a puce cd rom inclus - Nov 05 2022

web plus loin avec les cartes a puce cd rom inclus 3 3 un objet de confiance le fonctionnement interne de la carte sim dans

les téléphones mobiles est décrit en détail

plus loin avec les cartes a puce cd rom inclus pdf - Aug 02 2022

web may 30 2023 plus loin avec les cartes a puce cd rom inclus and numerous ebook collections from fictions to scientific research in any way in the course of them is this

plus loin avec les cartes à puce cd rom inclus by patrick - Oct 24 2021

web jul 22 2023 loin avec les cartes puce cd rom les secrets des cartes puce des stations service par aller encore plus loin avec trello mencer avec trello cartes

plus loin avec les cartes a puce cd rom inclus copy - Dec 26 2021

web plus loin avec les cartes a puce cd rom inclus recognizing the pretension ways to get this books plus loin avec les cartes a puce cd rom inclus is additionally useful

plus loin avec les cartes à puce cd rom inclus by patrick - Mar 29 2022

web jun 7 2023 access the plus loin avec les cartes à puce cd rom inclus by patrick gueulle join that we have the resources for here and check out the link in the route of

plus loin avec les cartes à puce avec 1 cd rom label emmaüs - May 11 2023

web plus loin avec les cartes à puce avec 1 cd rom la découverte de la fascinante technique des cartes à puce ne

plus loin avec les cartes a puce cd rom inclus pdf - Dec 06 2022

web programmer les cartes dans le langage java card les techniques mises en œuvre pour garantir leur sécurité face aux attaques physiques et logiques ainsi que les méthodes

plus loin avec les cartes à puce cd rom inclus by patrick - Apr 10 2023

web jun 15 2023 plus loin avec les cartes à puce cd rom inclus by patrick gueulle plus loin avec les cartes à puce cd rom inclus by patrick gueulle it will absolutely

□ □ □ □ □ □ □ □ □ □ **general knowledge** - Sep 05 2023

web jan 12 2022 bengali general knowledge is the most important part of any competitive exam today we provide you with some important mcq questions and answer from

100 bengali general knowledge questions and - Oct 06 2023

web general knowledge bangladesh general knowledge international general pdf book grammar guinea pigs health tips insurance interjection jobs jobs study

gk questions and answers in bengali bangla gk □ □ general - Nov 14 2021

best bangla general knowledge book pdf collection bangla - Feb 15 2022

web jul 20 2019 general knowledge in bengali language mcq new post bengali current affairs mcq 3rd july 2023 bengali current affairs mcq 1st july 2023 bengali

general knowledge 2021 in bengali pdf [গণিত গণিত গণিত](#) - Jul 23 2022

web bangla knowledge class channel is base on study material for student also for children and for every one who wants to know the answer about every thing here you can find

general knowledge in bangla [গণিত গণিত গণিত](#) **mcq** - Jul 03 2023

web 1050 general knowledge questions answers in bengali general knowledge questions answers in bengali gk question and answer in bengali gk question and answer in

gk questions in bengali mcq wbpsc clerk 2020 - Mar 31 2023

web sep 6 2021 [গণিত](#) general knowledge in bengali language [গণিত গণিত গণিত](#) current affairs in bengali [গণিত গণিত গণিত গণিত গণিত](#) general knowledge in

general knowledge question and answer in bengali language - Dec 16 2021

web 2 hours ago mexican state energy company pemex and u s liquefied natural gas lng company new fortress energy have terminated a deal to develop potentially the

bangla general knowledge questions and answers total gk guide - Jan 29 2023

web jun 11 2021 history quiz in bengali 2021 history is the important subject for any competitive job like wbcs wbp ssc railway cgl chsl etc today i share some question

exclusive mexico s pemex new fortress energy scrap - Oct 14 2021

bangla knowledge class youtube - May 21 2022

web general knowledge quiz contains questions about everything gk that is helpful for public examinations west bengal public service commission west bengal civil services

bangla general knowledge pdf gk bengali 2020 - Jun 21 2022

web mar 9 2021 general knowledge in bengali [গণিত গণিত গণিত গণিত গণিত গণিত গণিত গণিত](#) general knowledge in bengali [গণিত গণিত গণিত গণিত গণিত গণিত গণিত গণিত](#)

1050 general knowledge questions answers in bengali - May 01 2023

web jul 23 2020 general knowledge mcq 19 general knowledge mcq 20 pages 1 2 3 post navigation general knowledge in bengali language mcq wb psc question

general knowledge in bengali for all competitive exam - Dec 28 2022

web jul 3 2023 top general knowledge in bengali with pdf and 400 gk july 3 2023 by anishamarketer today we will share

