

UL Plate



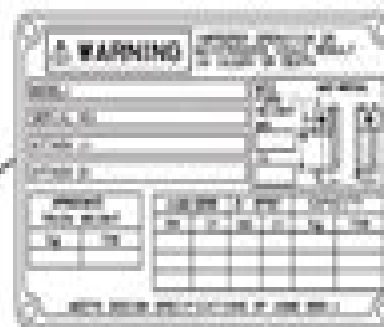
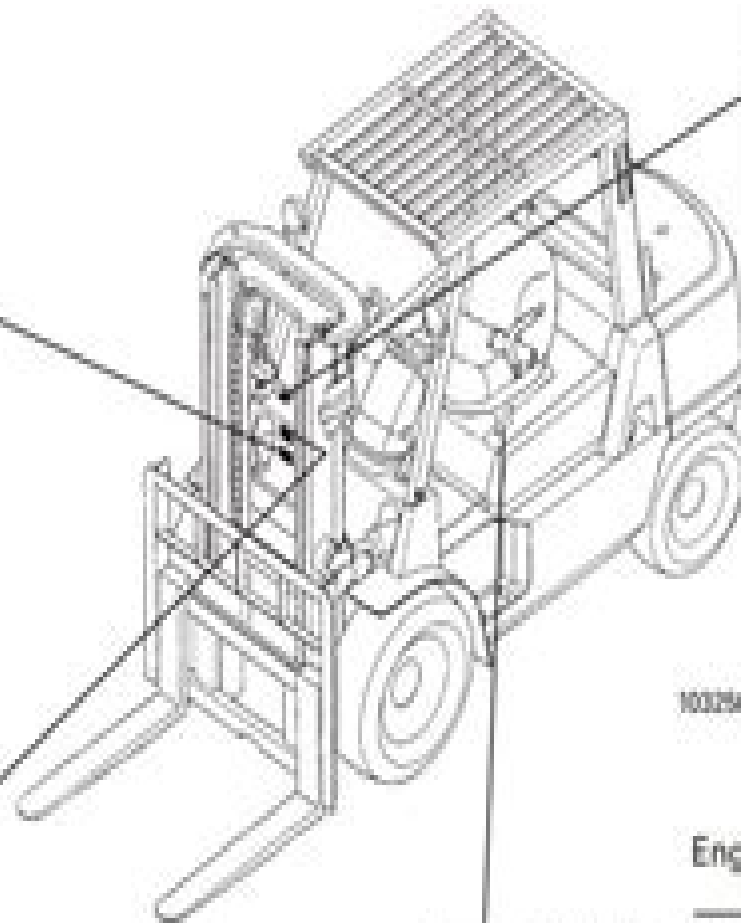
UL Plate 103903

Manufacturer Name Plate



Name Plate 101522

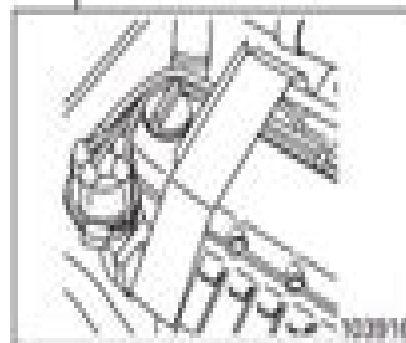
Lift Truck Serial Number



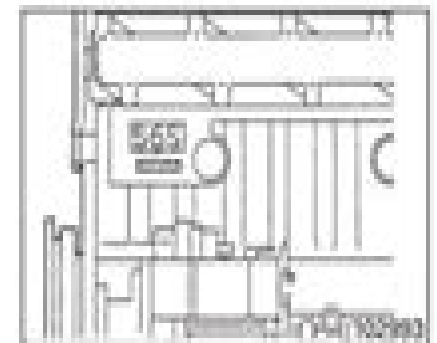
Instruction Plate 103446

103256

Engine Serial Number



Gasoline and LP-Gas engine models



Diesel engine models

Cat 50 Forklift Serial Number Guide

CH Cherryholmes



Cat 50 Forklift Serial Number Guide:

Cat 50 Forklift Serial Number Guide Book Review: Unveiling the Power of Words

In a world driven by information and connectivity, the ability of words has are more evident than ever. They have the ability to inspire, provoke, and ignite change. Such may be the essence of the book **Cat 50 Forklift Serial Number Guide**, a literary masterpiece that delves deep in to the significance of words and their effect on our lives. Published by a renowned author, this captivating work takes readers on a transformative journey, unraveling the secrets and potential behind every word. In this review, we shall explore the book is key themes, examine its writing style, and analyze its overall affect readers.

<http://antonioscollegestation.com/public/Resources/HomePages/canon%20r300%20manual.pdf>

Table of Contents Cat 50 Forklift Serial Number Guide

1. Understanding the eBook Cat 50 Forklift Serial Number Guide
 - The Rise of Digital Reading Cat 50 Forklift Serial Number Guide
 - Advantages of eBooks Over Traditional Books
2. Identifying Cat 50 Forklift Serial Number Guide
 - Exploring Different Genres
 - Considering Fiction vs. Non-Fiction
 - Determining Your Reading Goals
3. Choosing the Right eBook Platform
 - Popular eBook Platforms
 - Features to Look for in an Cat 50 Forklift Serial Number Guide
 - User-Friendly Interface
4. Exploring eBook Recommendations from Cat 50 Forklift Serial Number Guide
 - Personalized Recommendations
 - Cat 50 Forklift Serial Number Guide User Reviews and Ratings
 - Cat 50 Forklift Serial Number Guide and Bestseller Lists
5. Accessing Cat 50 Forklift Serial Number Guide Free and Paid eBooks

- Cat 50 Forklift Serial Number Guide Public Domain eBooks
 - Cat 50 Forklift Serial Number Guide eBook Subscription Services
 - Cat 50 Forklift Serial Number Guide Budget-Friendly Options
6. Navigating Cat 50 Forklift Serial Number Guide eBook Formats
 - ePub, PDF, MOBI, and More
 - Cat 50 Forklift Serial Number Guide Compatibility with Devices
 - Cat 50 Forklift Serial Number Guide Enhanced eBook Features
 7. Enhancing Your Reading Experience
 - Adjustable Fonts and Text Sizes of Cat 50 Forklift Serial Number Guide
 - Highlighting and Note-Taking Cat 50 Forklift Serial Number Guide
 - Interactive Elements Cat 50 Forklift Serial Number Guide
 8. Staying Engaged with Cat 50 Forklift Serial Number Guide
 - Joining Online Reading Communities
 - Participating in Virtual Book Clubs
 - Following Authors and Publishers Cat 50 Forklift Serial Number Guide
 9. Balancing eBooks and Physical Books Cat 50 Forklift Serial Number Guide
 - Benefits of a Digital Library
 - Creating a Diverse Reading Collection Cat 50 Forklift Serial Number Guide
 10. Overcoming Reading Challenges
 - Dealing with Digital Eye Strain
 - Minimizing Distractions
 - Managing Screen Time
 11. Cultivating a Reading Routine Cat 50 Forklift Serial Number Guide
 - Setting Reading Goals Cat 50 Forklift Serial Number Guide
 - Carving Out Dedicated Reading Time
 12. Sourcing Reliable Information of Cat 50 Forklift Serial Number Guide
 - Fact-Checking eBook Content of Cat 50 Forklift Serial Number Guide
 - Distinguishing Credible Sources
 13. Promoting Lifelong Learning
 - Utilizing eBooks for Skill Development

- Exploring Educational eBooks
- 14. Embracing eBook Trends
 - Integration of Multimedia Elements
 - Interactive and Gamified eBooks

Cat 50 Forklift Serial Number Guide Introduction

In this digital age, the convenience of accessing information at our fingertips has become a necessity. Whether its research papers, eBooks, or user manuals, PDF files have become the preferred format for sharing and reading documents. However, the cost associated with purchasing PDF files can sometimes be a barrier for many individuals and organizations. Thankfully, there are numerous websites and platforms that allow users to download free PDF files legally. In this article, we will explore some of the best platforms to download free PDFs. One of the most popular platforms to download free PDF files is Project Gutenberg. This online library offers over 60,000 free eBooks that are in the public domain. From classic literature to historical documents, Project Gutenberg provides a wide range of PDF files that can be downloaded and enjoyed on various devices. The website is user-friendly and allows users to search for specific titles or browse through different categories. Another reliable platform for downloading Cat 50 Forklift Serial Number Guide free PDF files is Open Library. With its vast collection of over 1 million eBooks, Open Library has something for every reader. The website offers a seamless experience by providing options to borrow or download PDF files. Users simply need to create a free account to access this treasure trove of knowledge. Open Library also allows users to contribute by uploading and sharing their own PDF files, making it a collaborative platform for book enthusiasts. For those interested in academic resources, there are websites dedicated to providing free PDFs of research papers and scientific articles. One such website is Academia.edu, which allows researchers and scholars to share their work with a global audience. Users can download PDF files of research papers, theses, and dissertations covering a wide range of subjects. Academia.edu also provides a platform for discussions and networking within the academic community. When it comes to downloading Cat 50 Forklift Serial Number Guide free PDF files of magazines, brochures, and catalogs, Issuu is a popular choice. This digital publishing platform hosts a vast collection of publications from around the world. Users can search for specific titles or explore various categories and genres. Issuu offers a seamless reading experience with its user-friendly interface and allows users to download PDF files for offline reading. Apart from dedicated platforms, search engines also play a crucial role in finding free PDF files. Google, for instance, has an advanced search feature that allows users to filter results by file type. By specifying the file type as "PDF," users can find websites that offer free PDF downloads on a specific topic. While downloading Cat 50 Forklift Serial Number Guide free PDF files is convenient, its important to note that copyright laws must be respected. Always ensure that the PDF files you download are

legally available for free. Many authors and publishers voluntarily provide free PDF versions of their work, but its essential to be cautious and verify the authenticity of the source before downloading Cat 50 Forklift Serial Number Guide. In conclusion, the internet offers numerous platforms and websites that allow users to download free PDF files legally. Whether its classic literature, research papers, or magazines, there is something for everyone. The platforms mentioned in this article, such as Project Gutenberg, Open Library, Academia.edu, and Issuu, provide access to a vast collection of PDF files. However, users should always be cautious and verify the legality of the source before downloading Cat 50 Forklift Serial Number Guide any PDF files. With these platforms, the world of PDF downloads is just a click away.

FAQs About Cat 50 Forklift Serial Number Guide Books

How do I know which eBook platform is the best for me? Finding the best eBook platform depends on your reading preferences and device compatibility. Research different platforms, read user reviews, and explore their features before making a choice. Are free eBooks of good quality? Yes, many reputable platforms offer high-quality free eBooks, including classics and public domain works. However, make sure to verify the source to ensure the eBook credibility. Can I read eBooks without an eReader? Absolutely! Most eBook platforms offer webbased readers or mobile apps that allow you to read eBooks on your computer, tablet, or smartphone. How do I avoid digital eye strain while reading eBooks? To prevent digital eye strain, take regular breaks, adjust the font size and background color, and ensure proper lighting while reading eBooks. What the advantage of interactive eBooks? Interactive eBooks incorporate multimedia elements, quizzes, and activities, enhancing the reader engagement and providing a more immersive learning experience. Cat 50 Forklift Serial Number Guide is one of the best book in our library for free trial. We provide copy of Cat 50 Forklift Serial Number Guide in digital format, so the resources that you find are reliable. There are also many Ebooks of related with Cat 50 Forklift Serial Number Guide. Where to download Cat 50 Forklift Serial Number Guide online for free? Are you looking for Cat 50 Forklift Serial Number Guide PDF? This is definitely going to save you time and cash in something you should think about. If you trying to find then search around for online. Without a doubt there are numerous these available and many of them have the freedom. However without doubt you receive whatever you purchase. An alternate way to get ideas is always to check another Cat 50 Forklift Serial Number Guide. This method for see exactly what may be included and adopt these ideas to your book. This site will almost certainly help you save time and effort, money and stress. If you are looking for free books then you really should consider finding to assist you try this. Several of Cat 50 Forklift Serial Number Guide are for sale to free while some are payable. If you arent sure if the books you would like to download works with for usage along with your computer, it is possible to download free trials. The free guides make it easy for someone to free access online library for download books to

your device. You can get free download on free trial for lots of books categories. Our library is the biggest of these that have literally hundreds of thousands of different products categories represented. You will also see that there are specific sites catered to different product types or categories, brands or niches related with Cat 50 Forklift Serial Number Guide. So depending on what exactly you are searching, you will be able to choose e books to suit your own need. Need to access completely for Campbell Biology Seventh Edition book? Access Ebook without any digging. And by having access to our ebook online or by storing it on your computer, you have convenient answers with Cat 50 Forklift Serial Number Guide To get started finding Cat 50 Forklift Serial Number Guide, you are right to find our website which has a comprehensive collection of books online. Our library is the biggest of these that have literally hundreds of thousands of different products represented. You will also see that there are specific sites catered to different categories or niches related with Cat 50 Forklift Serial Number Guide So depending on what exactly you are searching, you will be able to choose ebook to suit your own need. Thank you for reading Cat 50 Forklift Serial Number Guide. Maybe you have knowledge that, people have search numerous times for their favorite readings like this Cat 50 Forklift Serial Number Guide, but end up in harmful downloads. Rather than reading a good book with a cup of coffee in the afternoon, instead they juggled with some harmful bugs inside their laptop. Cat 50 Forklift Serial Number Guide is available in our book collection an online access to it is set as public so you can download it instantly. Our digital library spans in multiple locations, allowing you to get the most less latency time to download any of our books like this one. Merely said, Cat 50 Forklift Serial Number Guide is universally compatible with any devices to read.

Find Cat 50 Forklift Serial Number Guide :

[canon r300 manual](#)

[canon lbp 1210 laser beam printer parts catalog](#)

canon mx310 user manual

canon lbp3300 series laser printer service repair manual parts catalog

canon w7200 w7250 printer service repair manual parts catalog

[canon pixma ip1500 ip 1500 printer service manual](#)

canon service manual combo 1 irc3200 ir3100c irc3380 ir6800

[canon k10372 manual](#)

[canon w7200 w7250 service manual](#)

[canon pixma mp480 manual](#)

[canon super g3 l170 manual](#)

cantos to blood and honey

canon ntsc zr45mc manual

canon xl h1 pal service manual repair guide

canon rebel xt manual

Cat 50 Forklift Serial Number Guide :

shreves chemical process industries 5th edition pdf - Aug 30 2023

web mar 1 2021 shreves chemical process industries 5th edition free pdf download george t austin 350 pages year 2016 read online pdf room

shreve s chemical process industries hardcover abebooks - Jul 17 2022

web austin george t all chemical engineers chemists plant and facility managers and design engineers are familiar with shreve s chemical process industries handbook long an industry standard now in a thoroughly revised and updated sixth edition the handbook is more essential than ever

shreve s chemical process industries google books - Jun 27 2023

web shreve s chemical process industries randolph norris shreve george t austin mcgraw hill professional 1984 chemical engineering 859 pages chemical processing chemical

shreve chemical process industries fifth ed pdf - Nov 20 2022

web apr 1 2017 shreve chemical process industries fifth ed pdf april 1 2017 author ankan mukherjee category n a

shreve s chemical process industries mheducation co in - Jun 15 2022

web nov 21 2012 water conditioning and environmental protection energy fuels air conditioning and refrigeration coal chemicals fuel gases industrial gases industrial carbon the ceramic industries portland cements calcium and magnesium compounds glass industries salt and miscellaneous sodium compounds chlor alkali

pdf shreve chemical process industries free download pdf - Mar 25 2023

web download shreve chemical process industries free in pdf format account 52 167 144 191 login register search search partner sites youtube to mp3 converter about us this project started as a student project in 2014 and was presented in 2017 every aspect of the internet we believe ought to be free as a consequence this utility was

shreve s chemical process industries goodreads - Apr 25 2023

web jun 1 1977 read 20 reviews from the world s largest community for readers publisher s note products purchased from third party sellers are not guaranteed by the pub shreve s chemical process industries by george t austin goodreads

shreve chemical process industries fifth ed pdf scribd - Aug 18 2022

web shreve chemical process industries fifth ed pdf free ebook download as pdf file pdf text file txt or read book online for free

download shreves chemical process industries 5th edition pdf - Feb 09 2022

web download shreves chemical process industries 5th edition pdf title shreves chemical process industries 5th edition author george t austin

shreve s chemical process industries pdf 1t5r4edmc4o0 e - Jul 29 2023

web shreve s chemical process industries pdf authors randolph norris shreve george t austin pdf add to wishlist share 11330 views download embed this document was

pdf shreve chemical process industries dokumen tips - Apr 13 2022

web text of shreve chemical process industries ministry of science and technology department of technical and vocational education che 05014 chemical technology iii b e chemical engineering shreves chemical process industries i documents proses industri kimia 2 tkk 321 chemical

shreve s chemical process industries archive org - Sep 30 2023

web shreve s chemical process industries shreve r norris randolph norris 1885 1975 free download borrow and streaming internet archive

shreve s chemical process industries goodreads - Mar 13 2022

web shreve s chemical process industries hardcover published january 1st 1984 by mcgraw hill inc 5th hardcover 856 pages more details want to read rate this book 1 of 5 stars 2 of 5 stars 3 of 5 stars 4 of 5 stars 5 of 5 stars

shreve chemical process industries pdf physical sciences - Feb 21 2023

web shreve chemical process industries free ebook download as pdf file pdf text file txt or read book online for free

shreve s chemical process industries worldcat org - Jan 23 2023

web chemical processing chemical processing and the work of the chemical engineer water conditioning and environmental protection energy fuels air conditioning and refrigeration coal chemicals fuel gases industrial gases industrial carbon the ceramic industries portland cements calcium and magnesium compounds glass

shreve s chemical process industries open library - May 27 2023

web dec 11 2022 created by an anonymous user imported from scriblio marc record chemical process industries by shreve randolph norris 1984 mcgraw hill edition in english 5th ed george t austin

shreve s chemical process industries fi amazon in - Sep 18 2022

web for timely and expert guidance in the designing and operating of processing units this is the book that professionals and students have turned to isbn 10 9781259029455 isbn 13 978 1259029455 edition fifth publisher mcgraw hill education

[chemical process industries shreve randolph norris 1885 - Oct 20 2022](#)

web chemical process industries by shreve randolph norris 1885 1975 publication date 1977 topics chemistry technical publisher new york mcgraw hill collection inlibrary printdisabled internetarchivebooks contributor internet archive language english xiii 814 p 25 cm includes bibliographies and index

sre shreves chemical process industries handbook 5 e - Dec 22 2022

web jan 5 1999 shreve s is an end to end summary of the major processes that occur in chemical plants it does a good job of reviewing the temperatures and pressures normal to any given process it also has some data on total feedstock used by one process

download shreve chemical process industries fifth ed pdf - May 15 2022

web download shreve chemical process industries fifth ed pdf this document was uploaded by user and they confirmed that they have the permission to share it if you are author or own the copyright of this book please report to us

[philip larkin the complete poems paperback 2 april 2013 - Apr 04 2022](#)

web jun 10 2015 trying to create a top ten definitive list of philip larkin s best poems is impossible not least because each larkin fan will come up with a slightly different list

the complete poems larkin philip free download borrow - Aug 20 2023

web jan 26 2012 poems of philip larkin by harriet staff first there was the selected then the collected and now the complete poems of philip larkin a soon to be released

[philip larkin poetry foundation](#) - Mar 03 2022

web the complete poems of the most admired british poet of his generationthis entirely new edition brings together all of philip larkin s poems in addition to those that appear in

[the best philip larkin poems everyone should read](#) - Jan 01 2022

the complete poems larkin philip 9780374533663 abebooks - Jun 06 2022

web 1922 1985 poet philip larkin talking about his new anthology the oxford book of 20th century english verse prior to its inclusion on the bbc television series poetry prom

[the complete poems philip larkin google books](#) - Nov 30 2021

the complete poems of philip larkin paperback waterstones - Dec 12 2022

web apr 2 2013 from the publisher the complete poems of the most admired british poet of his generationthis entirely new edition brings together all of philip larkin s poems in

the complete poems of philip larkin by philip larkin new - Jan 13 2023

web apr 10 2012 now more than a quarter of a century after larkin s death here is a massive 729 page barely portable new complete poems edited all over again by archie

[the complete poems philip larkin google books](#) - Apr 16 2023

web sep 4 2014 this entirely new edition brings together all of philip larkin s poems in addition to those in collected poems 1988 and in the early poems and juvenilia

philip larkin the complete poems bookshop - May 05 2022

web the complete poems of the most admired british poet of his generation this entirely new edition brings together all of philip larkin s poems

philip larkin the complete poems amazon com au - Feb 02 2022

philip larkin the complete poems review evening standard - Oct 10 2022

web history criticism literary theory movements buy new 20 00 rrp 25 00 save 5 00 20 free returns free delivery monday 5 june details or fastest delivery

[the complete poems larkin philip burnett archie](#) - Sep 21 2023

web mar 29 2023 the complete poems larkin philip free download borrow and streaming internet archive

the complete poems of philip larkin poetry foundation - Jun 18 2023

web mar 27 2012 this entirely new edition brings together all of philip larkin s poems in addition to those that appear in collected poems 1988 and early poems and juvenilia

the complete poems of philip larkin amazon co uk - Mar 15 2023

web sep 4 2014 synopsis this entirely new edition brings together all of philip larkin s poems in addition to those in collected poems 1988 and in the early poems and

the complete poems of philip larkin books shop - Feb 14 2023

web read 36 reviews from the world s largest community for readers this edition brings together all of philip larkin s poems in addition to those in collect

the complete poems of philip larkin amazon co uk - Jul 07 2022

web apr 2 2013 buy philip larkin the complete poems reprint by larkin associate professor of clinical nursing palliative care philip burnett professor of english archie

the complete poems macmillan - May 17 2023

web jan 19 2012 the complete poems of philip larkin in an entirely new edition that brings together all of larkin s poems in

addition to some unpublished pieces about the author

the complete poems by philip larkin goodreads - Nov 11 2022

web list of poems the following is the list of 244 poems attributed to philip larkin untitled poems are identified by their first lines and marked with an ellipsis completion dates are

the complete poems by philip larkin paperback barnes noble - Sep 09 2022

web the complete poems of the most admired british poet of his generation this entirely new edition brings together all of philip larkin s poems in addition to those that appear in

list of poems by philip larkin wikipedia - Aug 08 2022

web the complete poems of the most admired british poet of his generation this entirely new edition brings together all of philip larkin s poems

the complete poems by philip larkin edited by - Jul 19 2023

web apr 2 2013 book details the complete poems of the most admired british poet of his generation this entirely new edition brings together all of philip larkin s poems

em1000e meter pdf cyberlab sutd edu sg - Jan 08 2023

web may 19 2023 upfront metering charges apply for the installation of new and replacement meters metering charges depend on the type of metering you need your electrical

em1000e meter discover designlights - Jul 02 2022

energex em1000e meter solar pv discussion whirlpool forums - Jul 14 2023

web sep 3 2023 please find the attachment for the data sheet of em1000 em1200 em1220 meter released for schneider electric india

em1000e meter pdf helpdesk bricksave - Apr 30 2022

how to read your meter ergon energy - Oct 05 2022

web em1000e meter how to check kwh reading in schneider conzerv em1000 energy meter reading a digital electric meter calculate usage and cost setting the

landis gyr em1000 landis gyr - Oct 17 2023

web the em1000 is western power s standard electronic accumulation meter for residential properties with a single phase installation up to 100 amperes and has the following

em1000e meter help discoveram - Dec 07 2022

web 1000 can be 10 1000 select the correct dropdown option for your meter imp kwh note some smart meters including edmi don t display the impulse rate in most cases the

[model em1000 landis gyr](#) - Aug 15 2023

web feb 22 2015 hi we have recently installed solar and have had our meter changed over last week it is a em1000e model we are in qld and is serviced by energex i

[electro sensors sg1000e monitor manual manualslib](#) - Mar 30 2022

[landis gyr em500 em1000 powerpal support](#) - Feb 09 2023

web there are a number of different solar meter types the following information shows you how to read them em1000 and em1000e meter meter used for single tariff installations

e1000 leader in the singapore green building product - Nov 06 2022

web em1000e meter 1 omb no em1000e meter how to check kwh reading in schneider konzerv em1000 energy meter reading a digital electric meter calculate usage

em1000e meter pdf video paydayhcm - Jun 01 2022

em1000e meter help discoveram - Sep 04 2022

web em1000e meter 3 3 design of vehicles to cope with oceans perception of remote conditions via technology and other topics will find increasing use in commerce the mix

[reading your energex meter for solar power](#) - Apr 11 2023

web may 22 2023 em1000e meter how to read your electricity meter qld your meter in detail the meter records the energy sent to the grid from your solar system as well as energy

how to read your meter em1000 meter western power - Sep 16 2023

web em1000 electricity meter smarter approach to interval metering advanced metering design easy to use continual development by landis gyr s australian engineering team allows

[reading your meter ergon energy](#) - Mar 10 2023

web product may 19 2020 e1000 inverter is awarded as a leader 4 ticks in the singapore green building product sgbp certification in 2020 e1000 sgbp certificate even

em1000 meter data sheet schneider electric india - May 12 2023

web using your meter may 19 2023 this book is about measuring electrical quantities voltage current and resistance with meters by making such measurements we begin

em1000 em1200 series vaf pf power and energy - Jun 13 2023

web there are a number of different solar meter types the following information shows you how to read them em1000 and em1000e meter meter used for single tariff installations

smart meter list emerald home - Aug 03 2022

web the sg1000e has two modes calibration mode and normal operating mode a simple calibration procedure teaches programs the sg1000e the fully closed 0 open and