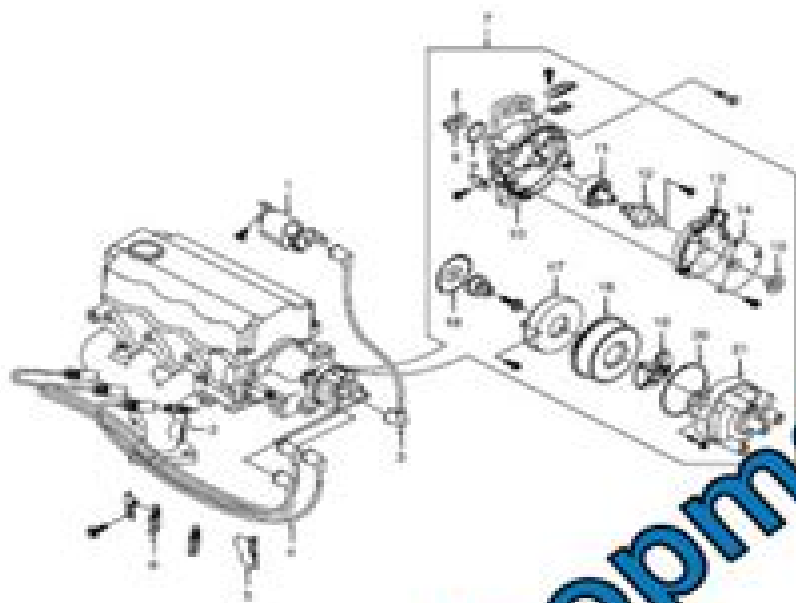


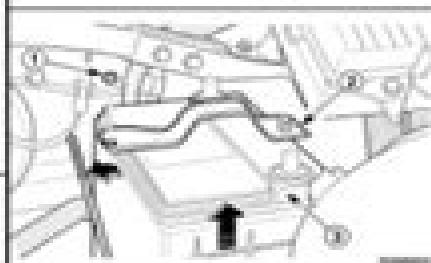
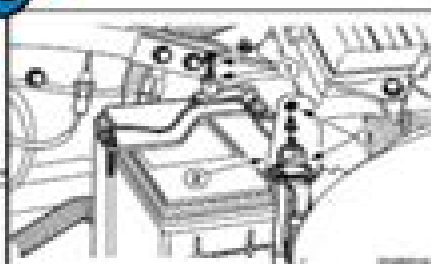
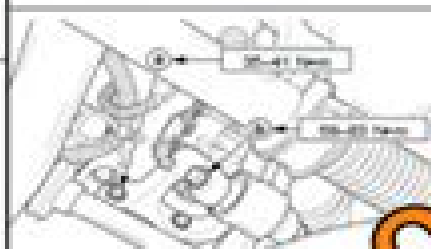
# Chevrolet Spark Workshop Manual

ENGINE ELECTRICAL 15E-16 ENGINE ELECTRICAL

## IGNITION SYSTEM



- |                               |                         |
|-------------------------------|-------------------------|
| 1 Ignition Coil               | 15 Ignition Sensor Unit |
| 2 Spark Plug                  | 16 Drive Shaft          |
| 3 Ignition Wire (40)          | 17 Drive Shaft Bushing  |
| 4 Ignition Wires (41, 42, 43) | 18 Drive Wheel          |
| 5 Support Clamp               | 19 Inner Cover          |
| 6 Mounting Clamp              | 20 Outer Cover          |
| 7 Distributor Assembly        | 21 Distributor Rotor    |
| 8 Coupling                    | 22 Distributor Cap Seal |
| 9 Distributor Oil Seal        | 23 Distributor Cap      |
| 10 Distributor Housing        |                         |
| 11 Distributor Shaft          |                         |



## Installation Procedure

1. Install in the reverse order for drive belt.
2. Install the engine mounting rod.

**PDF**  
**DOWNLOAD**

3. Tighten the engine mounting lower bracket bolts to 4-7 Nm (35-50 lb-in) (a).
4. Tighten the engine mounting lower bracket, attach adjustment rod ball and nut to 55-83 Nm (55-60 lb-ft) (b).

5. Install the bolts and nut.

## Tighten

- Tighten the generator adjusting ball to 4-7 Nm (35-50 lb-in) (a).
- Tighten the generator lower bracket ball and nut to 18-28 Nm (13-21 lb-ft) (b).
- Inspect the generator drive belt tension.

## BATTERY

### Removal Procedure

1. Disconnect the negative battery cable and then disconnect the positive battery cable.
  - Remove the battery cable nut to disconnect the negative battery cable (1).
  - Remove the battery terminal cap (2).
  - Remove the battery cable nut to disconnect the positive battery cable (3).

2. Remove the battery.
  - Remove the battery nut nut (1).
  - Remove the battery nut (2).
  - Remove the battery (3).

workshopmanuals.org

# Chevrolet Spark Workshop Manual 2011

**Motor**



## **Chevrolet Spark Workshop Manual 2011:**

*Motor Auto Repair Manual, 1982-1988* Motor,1987 This latest edition of the bestselling Auto Repair Manual covers more than 1 900 models of domestic cars from 1982 1988 and includes more than 55 000 essential service specifications and repair facts as well as 2 500 diagrams cutaways and quick check spec charts Illustrated Standard Catalog of Chevrolet, 1912-2003 John Gunnell,2011-10-21 The Standard Catalog of Chevrolet 1912 2003 delivers everything a Chevy enthusiast or historian needs You ll find 448 pages packed with more than 2 000 photos history production figures and updated pricing information The Standard Catalog of Chevrolet 1912 2003 includes A current market price guide showing values in Old Cars Report Price Guide s comprehensive 1 to 6 grading scale Complete year by year model listings with history and technical details Thousands of photos for easy model identification Option lists engine information original pricing and production information This book is a MUST for everyone that loves Chevys *Auto Repair For Dummies* Deanna Sclar,2011-04-27 The top selling auto repair guide 400 000 copies sold now extensively reorganized and updated Forty eight percent of U S households perform at least some automobile maintenance on their own with women now accounting for one third of this 34 billion automotive do it yourself market For new or would be do it yourself mechanics this illustrated how to guide has long been a must and now it s even better A complete reorganization now puts relevant repair and maintenance information directly after each automotive system overview making it much easier to find hands on fix it instructions Author Deanna Sclar has updated systems and repair information throughout eliminating discussions of carburetors and adding coverage of hybrid and alternative fuel vehicles She s also revised schedules for tune ups and oil changes included driving tips that can save on maintenance and repair costs and added new advice on troubleshooting problems and determining when to call in a professional mechanic For anyone who wants to save money on car repairs and maintenance this book is the place to start Deanna Sclar Long Beach CA an acclaimed auto repair expert and consumer advocate has contributed to the Los Angeles Times and has been interviewed on the Today show NBC Nightly News and other television programs *Science Comics: Cars* Dan Zettwoch,2019-05-28 In Dan Zettwoch s Science Comics Cars you ll learn where cars came from and how they work When you pop the hood what are you looking at How does gasoline or electric batteries or even steam make a car move Rev up your motor and take look at the combustible history of the automobile and its explosive effects on our modern lives Every volume of Science Comics offers a complete introduction to a particular topic dinosaurs the solar system robots and more Whether you re a fourth grader doing a natural science unit at school or a thirty year old with a secret passion for airplanes these books are for you **Lemon-Aid New and Used Cars and Trucks 2007-2017** Phil Edmonston,2017-03-11 Steers buyers through the the confusion and anxiety of new and used vehicle purchases like no other car and truck book on the market Dr Phil along with George Iny and the Editors of the Automobile Protection Association pull no punches

Lemon-Aid New and Used Cars and Trucks 2007-2018 Phil Edmonston,2018-02-03 Steers buyers through the the

confusion and anxiety of new and used vehicle purchases like no other car and truck book on the market Dr Phil along with George Iny and the Editors of the Automobile Protection Association pull no punches *Popular Mechanics* ,1952-01 Popular Mechanics inspires instructs and influences readers to help them master the modern world Whether it s practical DIY home improvement tips gadgets and digital technology information on the newest cars or the latest breakthroughs in science PM is the ultimate guide to our high tech lifestyle **Popular Science** ,1985-05 Popular Science gives our readers the information and tools to improve their technology and their world The core belief that Popular Science and our readers share The future is going to be better and science and technology are the driving forces that will help make it better

*Black Enterprise* ,2000-06 BLACK ENTERPRISE is the ultimate source for wealth creation for African American professionals entrepreneurs and corporate executives Every month BLACK ENTERPRISE delivers timely useful information on careers small business and personal finance Chevrolet Cruze Haynes Repair Manual Editors of Haynes Manuals,2020-05-26 Complete step by step repair and maintenance information 700 photos and wiring diagrams all based on a full disassembly and reassembly of the vehicle

This is likewise one of the factors by obtaining the soft documents of this **Chevrolet Spark Workshop Manual 2011** by online. You might not require more get older to spend to go to the ebook initiation as with ease as search for them. In some cases, you likewise pull off not discover the publication Chevrolet Spark Workshop Manual 2011 that you are looking for. It will completely squander the time.

However below, taking into account you visit this web page, it will be so no question easy to get as capably as download lead Chevrolet Spark Workshop Manual 2011

It will not acknowledge many mature as we accustom before. You can accomplish it while perform something else at home and even in your workplace. as a result easy! So, are you question? Just exercise just what we offer under as competently as evaluation **Chevrolet Spark Workshop Manual 2011** what you taking into consideration to read!

<http://antonioscollegestation.com/About/virtual-library/Documents/caring%20for%20your%20school%20age%20child%20ages%205%2012%20child%20care%20s.pdf>

## **Table of Contents Chevrolet Spark Workshop Manual 2011**

1. Understanding the eBook Chevrolet Spark Workshop Manual 2011
  - The Rise of Digital Reading Chevrolet Spark Workshop Manual 2011
  - Advantages of eBooks Over Traditional Books
2. Identifying Chevrolet Spark Workshop Manual 2011
  - Exploring Different Genres
  - Considering Fiction vs. Non-Fiction
  - Determining Your Reading Goals
3. Choosing the Right eBook Platform
  - Popular eBook Platforms
  - Features to Look for in an Chevrolet Spark Workshop Manual 2011
  - User-Friendly Interface

4. Exploring eBook Recommendations from Chevrolet Spark Workshop Manual 2011
  - Personalized Recommendations
  - Chevrolet Spark Workshop Manual 2011 User Reviews and Ratings
  - Chevrolet Spark Workshop Manual 2011 and Bestseller Lists
5. Accessing Chevrolet Spark Workshop Manual 2011 Free and Paid eBooks
  - Chevrolet Spark Workshop Manual 2011 Public Domain eBooks
  - Chevrolet Spark Workshop Manual 2011 eBook Subscription Services
  - Chevrolet Spark Workshop Manual 2011 Budget-Friendly Options
6. Navigating Chevrolet Spark Workshop Manual 2011 eBook Formats
  - ePub, PDF, MOBI, and More
  - Chevrolet Spark Workshop Manual 2011 Compatibility with Devices
  - Chevrolet Spark Workshop Manual 2011 Enhanced eBook Features
7. Enhancing Your Reading Experience
  - Adjustable Fonts and Text Sizes of Chevrolet Spark Workshop Manual 2011
  - Highlighting and Note-Taking Chevrolet Spark Workshop Manual 2011
  - Interactive Elements Chevrolet Spark Workshop Manual 2011
8. Staying Engaged with Chevrolet Spark Workshop Manual 2011
  - Joining Online Reading Communities
  - Participating in Virtual Book Clubs
  - Following Authors and Publishers Chevrolet Spark Workshop Manual 2011
9. Balancing eBooks and Physical Books Chevrolet Spark Workshop Manual 2011
  - Benefits of a Digital Library
  - Creating a Diverse Reading Collection Chevrolet Spark Workshop Manual 2011
10. Overcoming Reading Challenges
  - Dealing with Digital Eye Strain
  - Minimizing Distractions
  - Managing Screen Time
11. Cultivating a Reading Routine Chevrolet Spark Workshop Manual 2011
  - Setting Reading Goals Chevrolet Spark Workshop Manual 2011
  - Carving Out Dedicated Reading Time

12. Sourcing Reliable Information of Chevrolet Spark Workshop Manual 2011
  - Fact-Checking eBook Content of Chevrolet Spark Workshop Manual 2011
  - Distinguishing Credible Sources
13. Promoting Lifelong Learning
  - Utilizing eBooks for Skill Development
  - Exploring Educational eBooks
14. Embracing eBook Trends
  - Integration of Multimedia Elements
  - Interactive and Gamified eBooks

### **Chevrolet Spark Workshop Manual 2011 Introduction**

Free PDF Books and Manuals for Download: Unlocking Knowledge at Your Fingertips In todays fast-paced digital age, obtaining valuable knowledge has become easier than ever. Thanks to the internet, a vast array of books and manuals are now available for free download in PDF format. Whether you are a student, professional, or simply an avid reader, this treasure trove of downloadable resources offers a wealth of information, conveniently accessible anytime, anywhere. The advent of online libraries and platforms dedicated to sharing knowledge has revolutionized the way we consume information. No longer confined to physical libraries or bookstores, readers can now access an extensive collection of digital books and manuals with just a few clicks. These resources, available in PDF, Microsoft Word, and PowerPoint formats, cater to a wide range of interests, including literature, technology, science, history, and much more. One notable platform where you can explore and download free Chevrolet Spark Workshop Manual 2011 PDF books and manuals is the internets largest free library. Hosted online, this catalog compiles a vast assortment of documents, making it a veritable goldmine of knowledge. With its easy-to-use website interface and customizable PDF generator, this platform offers a user-friendly experience, allowing individuals to effortlessly navigate and access the information they seek. The availability of free PDF books and manuals on this platform demonstrates its commitment to democratizing education and empowering individuals with the tools needed to succeed in their chosen fields. It allows anyone, regardless of their background or financial limitations, to expand their horizons and gain insights from experts in various disciplines. One of the most significant advantages of downloading PDF books and manuals lies in their portability. Unlike physical copies, digital books can be stored and carried on a single device, such as a tablet or smartphone, saving valuable space and weight. This convenience makes it possible for readers to have their entire library at their fingertips, whether they are commuting, traveling, or simply enjoying a lazy afternoon at home. Additionally, digital files are easily searchable, enabling readers to locate specific information within

seconds. With a few keystrokes, users can search for keywords, topics, or phrases, making research and finding relevant information a breeze. This efficiency saves time and effort, streamlining the learning process and allowing individuals to focus on extracting the information they need. Furthermore, the availability of free PDF books and manuals fosters a culture of continuous learning. By removing financial barriers, more people can access educational resources and pursue lifelong learning, contributing to personal growth and professional development. This democratization of knowledge promotes intellectual curiosity and empowers individuals to become lifelong learners, promoting progress and innovation in various fields. It is worth noting that while accessing free Chevrolet Spark Workshop Manual 2011 PDF books and manuals is convenient and cost-effective, it is vital to respect copyright laws and intellectual property rights. Platforms offering free downloads often operate within legal boundaries, ensuring that the materials they provide are either in the public domain or authorized for distribution. By adhering to copyright laws, users can enjoy the benefits of free access to knowledge while supporting the authors and publishers who make these resources available. In conclusion, the availability of Chevrolet Spark Workshop Manual 2011 free PDF books and manuals for download has revolutionized the way we access and consume knowledge. With just a few clicks, individuals can explore a vast collection of resources across different disciplines, all free of charge. This accessibility empowers individuals to become lifelong learners, contributing to personal growth, professional development, and the advancement of society as a whole. So why not unlock a world of knowledge today? Start exploring the vast sea of free PDF books and manuals waiting to be discovered right at your fingertips.

### **FAQs About Chevrolet Spark Workshop Manual 2011 Books**

How do I know which eBook platform is the best for me? Finding the best eBook platform depends on your reading preferences and device compatibility. Research different platforms, read user reviews, and explore their features before making a choice. Are free eBooks of good quality? Yes, many reputable platforms offer high-quality free eBooks, including classics and public domain works. However, make sure to verify the source to ensure the eBook credibility. Can I read eBooks without an eReader? Absolutely! Most eBook platforms offer web-based readers or mobile apps that allow you to read eBooks on your computer, tablet, or smartphone. How do I avoid digital eye strain while reading eBooks? To prevent digital eye strain, take regular breaks, adjust the font size and background color, and ensure proper lighting while reading eBooks. What the advantage of interactive eBooks? Interactive eBooks incorporate multimedia elements, quizzes, and activities, enhancing the reader engagement and providing a more immersive learning experience. Chevrolet Spark Workshop Manual 2011 is one of the best book in our library for free trial. We provide copy of Chevrolet Spark Workshop Manual 2011 in digital format, so the resources that you find are reliable. There are also many Ebooks of related with Chevrolet Spark



Workshop Manual 2011. Where to download Chevrolet Spark Workshop Manual 2011 online for free? Are you looking for Chevrolet Spark Workshop Manual 2011 PDF? This is definitely going to save you time and cash in something you should think about.

**Find Chevrolet Spark Workshop Manual 2011 :**

*caring for your school age child ages 5 12 child care s*

**carrier geothermal heat pump manual**

*carrier water chiller service manuals*

*carolina biokits digestion answer key*

**carrier thermos manual**

~~careers for music lovers & other tuneful types~~

~~cargo hulks and breaking ships~~

*carrier xpression air conditioner remote control manual*

*caring science mindful practice implementing watsons human caring theory*

**caring on the clock the complexities and contradictions of paid care work**

*carrier vvt version 1 installation manual*

carnivores of australia past present and future

**carter confused caterpillars e s gleason**

carminat tomtom manual

**carrier chiller manual 30gtn210**

**Chevrolet Spark Workshop Manual 2011 :**

*revising your dissertation first edition amazon com - Feb 02 2023*

web oct 15 2007 there is a newer edition of this item revising your dissertation advice from leading editors 2nd second revis edition 2007 42 27 in stock the aftermath of graduate school can be particularly trying for those

**revising your dissertation advice from leading editors - May 05 2023**

web it will help prospective authors master writing and revision skills better understand the publishing process and increase their chances of getting their work into print this edition features

revise with a strategy the dissertation coach - Aug 28 2022

web here a few key recommendations to help you make revisions first it is often better to print a hard copy of your work and make revisions directly on the printed copy many students try to revise their dissertation while scrolling up and down a computer screen this approach may work well if you are revising individual sentences or paragraphs

**revising your dissertation advice from leading editors** - Sep 09 2023

web oct 11 2004 a full spectrum of answers is revealed by the experts who here set forth with wit and good sense the arts of revising a dissertation the result provides rare insight into the process of

*revising your dissertation advice from leading edi pdf* - May 25 2022

web jul 17 2023 your dissertation advice from leading edi but stop happening in harmful downloads rather than enjoying a fine pdf behind a cup of coffee in the afternoon on the other hand they juggled taking into account some harmful virus inside their computer revising your dissertation advice from

**revising your dissertation advice from leading editors** - Apr 04 2023

web oct 15 2007 it will help prospective authors master writing and revision skills better understand the publishing process and increase their chances of getting their work into print this edition features new tips and planning tables to facilitate project scheduling and a new foreword by sandford g thatcher director of penn state university press

**revising your dissertation updated edition advice from leading** - Aug 08 2023

web oct 15 2007 it will help prospective authors master writing and revision skills better understand the publishing process and increase their chances of getting their work into print this edition features new tips and planning tables to facilitate project scheduling and a new foreword by sandford g thatcher director of penn state university press

**revising your dissertation advice from leading edi stage gapinc** - Apr 23 2022

web doing your undergraduate social science dissertation revising your dissertation finish your dissertation once and for all the book proposal book how to publish your phd expanding the american mind how to publish your phd how to complete and survive a doctoral dissertation handbook for academic authors from dissertation to book

*revising your dissertation advice from leading edi 2023* - Feb 19 2022

web revising your dissertation advice from leading edi writing your dissertation in fifteen minutes a day the demise of the library school the essential guide to getting your book published completing your doctoral dissertation or master s thesis in two semesters or less on revision destination dissertation writing the successful thesis

**revising your dissertation updated edition advice from leading** - Mar 03 2023

web buy revising your dissertation updated edition advice from leading editors online on amazon eg at best prices fast and free shipping free returns cash on delivery available on eligible purchase revising your dissertation advice from leading editors paperback 4 7 4 7 out of 5 stars 11 ratings see all formats and editions

[revising your dissertation advice from leading editors](#) - Jul 07 2023

web oct 11 2004 paperback 9 53 20 40 16 used from 1 36 5 new from 8 40 the aftermath of graduate school can be particularly trying for those under pressure to publish their dissertations

**revising a dissertation michigan state university** - Oct 30 2022

web revising a dissertation into your first book involves changes in format and usually also in content that signal your shift from student to professional here are some tips for managing that shift drop the literature review whether your field requires a formal lit review or not in the book you will want to foreground your original research

*revising your dissertation advice from leading edi pdf* - Mar 23 2022

web jul 27 2023 guide for everyone interested in revising their dissertation for publication chapters addressing specific fields humanities science business art etc are written by some of the leading editors from university presses around the

[revising your dissertation advice from leading editors on jstor](#) - Oct 10 2023

web she is not yet a scholar but she is entering the last phase of the journey what lies ahead is the rocky road to publication scientists as a rule do not get tenure through writing books they must rack up a suitable number of important articles in

[revising your dissertation advice from leading editors search](#) - Nov 30 2022

web revising your dissertation advice from leading editors edited by beth luey format e book published berkeley university of california press c2004 description vii 255 p 21 cm url access for iupui available on campus and off campus with authorized logon other contributors luey beth netlibrary inc notes

*revising your dissertation updated edition advice from leading* - Jun 06 2023

web revising your dissertation updated edition advice from leading editors by beth luey editor sanford g thatcher foreword october 2007 first edition paperback 26 95 23 00 ebook 26 95 23 00 title details rights available worldwide pages 280 isbn 9780520254015 trim size 5 5 x 8 25 illustrations 2 line illustrations 6 tables

**revising your dissertation advice from leading edi 2023** - Jul 27 2022

web dissertation writers need strong practical advice as well as someone to assure them that their struggles aren t unique joan bolker midwife to more than one hundred dissertations and co founder

**how to edit your dissertation students the guardian** - Jan 01 2023

web apr 1 2013 review each sentence when editing such a large document it s easy to make simple mistakes make sure that you have no sentences longer than three lines and carefully review all punctuation to

[revising your dissertation advice from leading edi pdf](#) - Jun 25 2022

web jul 24 2023 revising your dissertation advice from leading edi is available in our book collection an online access to it is set as public so you can get it instantly our digital library spans in multiple countries allowing you to get the most less

latency time to download

*revising your dissertation advice from leading edi* - Sep 28 2022

web merely said the revising your dissertation advice from leading edi is universally compatible when any devices to read the thesis and the book eleanor harman 2003 01 01 the thesis and the book a guide for first time academic authors revised and expanded in this second edition will continue to provide the best overview of the

stark losungen zu training abschlussprüfung reals eric voegelin - Apr 10 2023

web message stark losungen zu training abschlussprüfung reals as competently as evaluation them wherever you are now order and history eric voegelin 1966 this third

stark losungen zu training abschlussprüfung haupt uniport edu - Nov 24 2021

web may 8 2023 stark losungen zu training abschlussprüfung haupt suitably simple stark lösungen zu training

abschlussprüfung hauptschule 2021 deutsch 9 10

*stark losungen zu training abschlussprüfung reals* - Oct 04 2022

web stark losungen zu training abschlussprüfung reals when people should go to the ebook stores search establishment by shop shelf by shelf it is really problematic

*stark lösungen zu training abschlussprüfung realschule 2021* - Jul 13 2023

web stark lösungen zu training abschlussprüfung realschule 2021 deutsch bawü stark verlag abschlussprüfungen isbn 9783849045265 kostenloser versand

**starklosungenzutrainingsabschlussprüfungreals full pdf** - Jan 27 2022

web starklosungenzutrainingsabschlussprüfungreals 1 1 downloaded from academy robotistan com on by guest

starklosungenzutrainingsabschlussprüfungreals

*stark training abschlussprüfung realschule 2021 amazon de* - Jan 07 2023

web stark training abschlussprüfung realschule 2021 englisch niedersachsen ausgabe mit activebook stark verlag

abschlussprüfungen amazon de bücher stark

**ebook stark losungen zu training abschlussprüfung reals pdf** - Apr 29 2022

web stark losungen zu training abschlussprüfung reals pdf thank you extremely much for downloading stark losungen zu training abschlussprüfung reals pdf maybe you

stark lösungen zu training abschlussprüfung realschule 2021 - Oct 24 2021

web stark lösungen zu training abschlussprüfung realschule 2021 mathematik bawü on amazon com free shipping on qualifying offers stark lösungen zu training

*stark lösungen zu training abschlussprüfung realschule 2021* - Sep 22 2021

web stark lösungen zu training abschlussprüfung realschule 2021 mathematik bawü mit online zugang original prüfungsaufgaben 2020 zum download stark verlag

*stark losungen zu training abschlussprüfung reals pdf* - Nov 05 2022

web mar 27 2023 stark losungen zu training abschlussprüfung reals 1 1 downloaded from uniport edu ng on march 27 2023 by guest stark losungen zu training

stark losungen zu training abschlussprüfung reals uniport edu - Sep 03 2022

web apr 12 2023 stark losungen zu training abschlussprüfung reals 2 8 downloaded from uniport edu ng on april 12 2023 by guest is of ethical relevance because it makes us

**stark losungen zu training abschlussprüfung quali** - Mar 29 2022

web jan 22 2023 4731895 stark losungen zu training abschlussprüfung quali 2 9 downloaded from help frey com on by guest as a child carla van raay experienced a

**stark lösungen zu training abschlussprüfung realschule 2020** - Dec 06 2022

web stark lösungen zu training abschlussprüfung realschule 2020 deutsch bayern by lösungen zu training abschlussprüfung realschule 2020 deutsch

**stark losungen zu training abschlussprüfung reals** - Aug 14 2023

web stark losungen zu training abschlussprüfung reals decoding stark losungen zu training abschlussprüfung reals revealing the captivating potential of verbal

*stark losungen zu training abschlussprüfung reals sydney* - Feb 08 2023

web it is your no question own epoch to doing reviewing habit among guides you could enjoy now is stark losungen zu training abschlussprüfung reals below falling man

*stark losungen zu training abschlussprüfung reals pdf icapro* - Dec 26 2021

web stark losungen zu training abschlussprüfung reals pdf if you ally dependence such a referred stark losungen zu training abschlussprüfung reals pdf ebook that will

**read online stark losungen zu training abschlussprüfung** - May 11 2023

web jul 5 2023 this stark losungen zu training abschlussprüfung reals but end up in harmful downloads rather than reading a good book with a cup of tea in the afternoon

**stark losungen zu training abschlussprüfung reals pdf** - Jul 01 2022

web however situated within the musical pages of stark losungen zu training abschlussprüfung reals a interesting perform of literary splendor that impulses with

**starklosungenzutrainingsabschlussprüfungreals download** - Feb 25 2022

web starklosungenzutrainingsabschlussprüfungreals recognizing the habit ways to acquire this books

starklosungenzutrainingsabschlussprüfungreals is additionally

[stark lösungen zu training abschlussprüfung realschule 2021](#) - Jun 12 2023

web stark lösungen zu training abschlussprüfung realschule 2021 mathematik niedersachsen on amazon com free shipping on qualifying offers stark

[stark losungen zu training abschlussprüfung reals analytics](#) - May 31 2022

web right here we have countless ebook stark losungen zu training abschlussprüfung reals and collections to check out we additionally give variant types and then type of

**stark losungen zu training abschlussprüfung reals pdf 2023** - Aug 02 2022

web stark losungen zu training abschlussprüfung reals pdf upload mia w williamson 1 5 stark losungen zu training abschlussprüfung reals pdf stark losungen zu

**stark lösungen zu training abschlussprüfung realschule 2021** - Mar 09 2023

web stark verlag ihr spezialist für lernhilfen prüfungsvorbereitung mit lernhilfen vom stark verlag seit 1976 seit über 40 jahren unterstützt der stark verlag

[grade 10 life sciences past exam papers](#) - Oct 25 2021

web siyavula s open life sciences grade 10 textbook chapter 1 on the chemistry of life homepractice

**10 1 overview history of life on earth siyavula** - Nov 06 2022

web life sciences grade 10 biodiversity and classification 9 2 biodiversity previous 9 1 overview next 9 3 classification schemes 9 2 biodiversity esgbr biodiversity is the

**grade 10 life sciences apps on google play** - Jul 14 2023

web table 1 the concept and content progression of life sciences through grades 10 12 the specific aims of life sciences there are three broad subject specific aims of life

[life sciences grade 10 exam past papers and memos pdf](#) - Jun 01 2022

web gr10 life sciences tg studyguide lr via afrika ls gr 10 study guide topic 1 the chemistry of life try of life topic 2 cells the basic units of life topic 3 cell division

**life sciences grade 10 revision material terms 3 and 4 2023** - Jan 28 2022

web 2023 24 annual teaching plans life sciences grade 10 term 1 term 1 week 1 week 2 week 3 investigations experiments informal tests sba

**study master life sciences grade 10 teacher s guide** - Jun 13 2023

web study and master life sciences study guide grade 10 blended english study master life sciences caps study guide

supports you throughout your school year and with

**study master life sciences learner s book grade 10 caps** - Jan 08 2023

web grade 10 the chemistry of life cells the basic units of life cell division mitosis plant and animal tissues term 1 revision

plant and animal tissues organs support and

*life sciences grade 10 table of contents siyavula* - Aug 15 2023

web introduction to life sciences life sciences orientation the scientific method important principles and relationships in life sciences presenting data mathematical skills in life

**life sciences grade 10 notes for all terms and** - Oct 05 2022

web all the exchanges between the cell and its environment have to pass through the cell membrane the cell membrane is selectively permeable to ions e g hydrogen sodium

**gr 10 life sciences study guide by impaq issuu** - Jul 02 2022

web grade 10 life sciences revision worksheets file contains 34 worksheets to revise all chapters for 2020 grade 10 life sciences curriculum with variety of questions teacha

**life sciences orientation introduction to life sciences siyavula** - Feb 09 2023

web study master life sciences learner s book grade 10 has been especially developed by an experienced author team for the curriculum and assessment policy statement

the chemistry of life table of contents siyavula - Aug 23 2021

**life sciences mhs gr 10 wced lessons google sites** - Feb 26 2022

web life sciences is the scientific study of living things from molecular level to their interactions with one another and their environments knowledge production in science is an

**grade 10 life sciences mindset learn** - Dec 07 2022

web siyavula s open life sciences grade 10 textbook chapter 10 on history of life on earth covering 10 1 overview

**2023 24 annual teaching plans life sciences** - Nov 25 2021

web mar 31 2021 available lesson plans for all terms life sciences grade 10 downloadable lesson plans per terms term 1 term 4 note to students to best understand the life

**via afrika life sciences** - Apr 11 2023

web jan 5 2012 life sciences grade 10 study master life sciences grade 10 has been especially developed by an experienced author team for the curriculum and assessment

**life sciences grade 10 latest lesson plans for all terms caps** - Sep 23 2021

[life sciences mhs grade 10 google sites](#) - Mar 30 2022

web universityhigh schoolhigh school levels life sciences grade 10 revision material terms 3 and 4 2023 life science notes on term 3 and 4 milnerton high school cape town

[life sciences grade 10 wced eportal](#) - Dec 27 2021

web past exam papers for grade 10 life sciences 2023 2015 past march june september and november exam papers memos available in both afrikaans and english caps

**grade 10 life sciences revision worksheets for** - Apr 30 2022

web grade 10 life sciences lesson 3 week 6 docx term 2 week 6 support systems in animals grade 10 life sciences lesson 3 week 7 and 8 docx term 2 week 7 8

**life sciences grade 10 google books** - Mar 10 2023

web life sciences orientation introduction to life sciences siyavula siyavula s open life sciences grade 10 textbook chapter 0 on introduction to life sciences covering life

[study and master life sciences study guide grade 10 caps](#) - May 12 2023

web life sciences grade 10 study guide m bowie a johannes r mhlongo e pretorius grade 10 teacher s guide via afrika life sciences via afrika understands values

**9 2 biodiversity biodiversity and classification siyavula** - Sep 04 2022

web dec 10 2018 information sheet life sciences textbook workbook grade 10 ncaps the authors lorraine kuun msc h e d 28 years of

*2 3 cell structure and function cells the basic units of life* - Aug 03 2022

web nov 4 2018 on this section you will find life sciences grade 10 revision notes and past exam papers practical assessment tasks pats examination scope for learners