

PM0505622.18

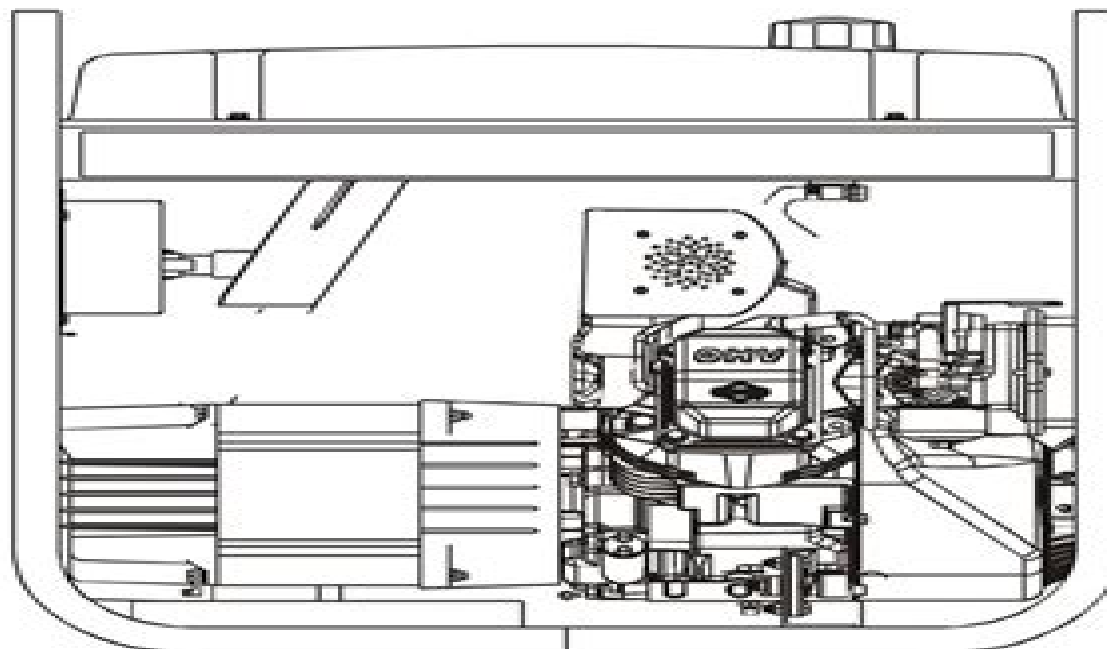
Insert
Additif
Adición

Coleman  **Powermate**[®]

Premium Plus 5000 – ELECTRIC GENERATOR

Premium Plus 5000 – GROUPE ELECTROGENE

Premium Plus 5000 – GENERADOR ELECTRICO



IMPORTANT – Please make certain that persons who are to use this equipment thoroughly read and understand these instructions and any additional instructions provided prior to operation.

IMPORTANT - Prière de vous assurer que les personnes destinées à utiliser cet appareil ont pris soin d'en lire et d'en comprendre le mode d'emploi ou les directives avant de le mettre en marche.

IMPORTANTE. Asegúrese que las personas que utilizarán este equipo lean y entiendan completamente estas instrucciones y cualquier instrucción adicional proporcionada antes del funcionamiento.

Coleman Generators Manual

United States. War Department



Coleman Generators Manual:

Monthly Catalogue, United States Public Documents ,1989 **Manuals Combined: 150+ U.S. Army Navy Air Force Marine Corps Generator Engine MEP APU Operator, Repair And Parts Manuals** , Over 36 000 total pages Just a SAMPLE of the CONTENTS by File Number and TM Number 013511 TM 5 6115 323 24P 4 GENERATOR SET GASOLINE ENGINE DRIVEN SKID MOUNTED TUBULAR FRAME 1 5 K SINGLE PHASE AC 120 240 V 28 VDC LESS ENGINE DOD MODELS MEP 015A 60 HZ NSN 6115 00 889 1446 AND DOD MODEL MEP 025A 28 VDC 6115 00 017 8236 TO 35C2 3 385 4 SL 4 07609A 07610A 013519 TM 5 6115 329 25P 1 GENERATOR SET GASOLINE ENGINE DR LESS ENGINE 0 5 KW AC 120 240 V 60 HZ 1 PHASE DOD MODEL FSN 6115 923 4469 400 HZ MODEL MEP 019A 6115 940 7862 AN DC MODEL MEP 024A 6115 940 7867 TO 35C2 3 440 14 013537 TM 5 6115 457 12 7 GENERATOR SET ENGINE DRIVEN TACTICAL SKID MTD 100 KW 3 PHASE 4 WIRE 120 240 416 V DOD MODELS MEP 007A UTILITY CLASS 50 60 HZ NSN 6115 00 133 9101 MODEL MEP 106A PRECISE CLASS 50 60 H 6115 00 133 9102 MODEL MEP 116A PRECISE CLASS 400 KW 6115 00 133 9103 INCLUDING OPTIONAL KITS MODEL MEP 007 AWF WINTERIZATION KIT FUEL BURNING 6115 00 463 9082 MEP 007AWE WINTERIZATION KIT ELECTRIC 6115 00 463 9084 MODEL MEP 007A DUMMY LOAD KIT 6115 00 463 9086 AND MODEL MEP 007AWM WHEEL 013538 TM 5 6115 457 34 12 GENERATOR SET DIESEL ENGINE DRIVEN TACTICAL SKID 100 KW 3 PHASE 4 WIRE 120 208 AND 240 416 V DOD MODELS MEP0 UTILITY CLASS 50 60 HZ NSN 6115 00 133 9101 MODEL MEP106A CLASS 50 60 HZ 6115 00 133 9102 AND MODEL MEP116A PRECISE 400 HZ 6115 00 133 9103 INCLUDING OPTIONAL KITS DOD MODELS MEP007AWF WINTERIZATION KIT FUEL BURNING 6115 00 463 9082 MEP007AWE WINTERIZATION KIT ELECTRIC 6115 00 463 9084 MOD MEP007ALM DUMMY LOAD KIT 6115 00 463 9086 AND MODEL MEP007A MOUNTING KIT 6 013540 TM 5 6115 458 24P 9 GENERATOR SET DIESEL ENGINE DRIVEN TACTICAL SKID MTD 2 KW 3 PHASE 4 WIRE 120 208 AND 240 416 VOLTS DOD MODELS MEP009A UTILITY CLASS 50 60 HZ NSN 6115 00 133 9104 AND MODEL MEP108A PRECISE CLASS 50 60 HZ 6115 00 935 8729 INCLUDING OPTIONAL K DOD MODELS MEP009AWF WINTERIZATION KIT FUEL BURNING 6115 00 403 3761 MODEL MEP009AWE WINTERIZATION KIT ELECTRIC 6115 00 489 7285 013545 TM 5 6115 465 12 19 GENERATOR DIESEL ENGINE DRIVEN TACTICAL SKID MTD 30 KW 3 PHASE 4 WIRE 120 208 AND 240 416 V DOD MODEL MEP 005A UTILITY CLASS 50 6 NSN 6115 00 118 1240 MODEL MEP 104A PRECISE CLASS 50 60 6115 00 118 1247 MODEL MEP 114A PRECISE CLASS 400 HZ 6115 00 118 1248 INCLUDING AUXILIARY EQUIPMENT DOD MODEL MEP WINTERIZATION KIT FUEL BURNING 6115 00 463 9083 MODEL MEP WINTERIZATION KIT ELECTRIC 6115 00 463 9085 MODEL MEP 005A LOAD BANK KIT 6115 00 463 9088 AND MODEL MEP 005AWM WH 013547 TM 5 6115 465 34 12 GENERATOR SET DIESEL ENGINE DRIVEN TACTIC SKID MTD 30 KW 3 PHASE 4 WIRE 120 208 AND 240 416 V DOD MO MEP 005A UTILITY 50 60 HZ NSN 6115 00 118 1240 MODEL MEP 104A PRECISE 50 60 HZ 6115 00 118 1247 MODEL MEP 114 PRECISE 50 60 HZ 6115 00 118 1248

INCLUDING OPTIONAL KITS MODEL MEP 005AWF WINTERIZATION KIT FUEL BURNING 6115 00 463 MODEL MEP 005AWE WINTERIZATION KIT ELECTRIC 6115 00 463 908 MODEL MEP 005ALM LOAD BANK KIT 6115 00 463 9088 MODEL MEP WHEEL MOUNTING KIT 6115 00 013548 TM 5 6115 545 12 18 GENERATOR DIESEL ENGINE DRIVEN TACTICAL SKID MTD 60 KW 3 PHASE 4 WIR 120 208 AND 240 416 VOLTS DOD MODEL MEP 006A UTILITY CLASS 5 NSN 6115 00 118 1243 DOD MODEL MEP 105A PRECISE CLASS 50 60 6115 00 118 1252 DOD MODEL MEP 115A PRECISE CLASS 400 HZ 6115 00 118 1253 INCLUDING OPTIONAL KITS DOD MODEL MEP006AWF WINTERIZATION KIT FUEL BURNING 6115 00 407 8314 DOD MODEL MEP006AWE WINTERIZATION KIT ELECTRIC 6115 00 455 7693 DOD M MEP006ALM LOAD BANK KIT 6115 00 407 8322 DOD MODEL MEP006 013550 TM 5 6115 545 34 12 INTERMEDIATE FIELD DIRECT AND GENERAL SUPPORT AND DEPOT MAINTENANCE MANUAL FOR GENERATOR SET DIESEL ENGINE DRIVEN TAC SKID MTD 60 KW 3 PHASE 4 WIRE 120 208 AND 240 416 VOLTS DOD MODELS MEP 006A UTILITY CLASS 50 60 HZ FSN 6115 118 1243 MEP 105A PRECISE CLASS 50 60 HZ 6115 118 1252 AND MEP 115A PRECISE CLASS 400 HZ 6115 118 1253 TO 35C2 3 444 2 NAVFAC P 8 626 34 TM 00038G 35 015378 TM 5 6115 323 14 10 GENERATOR GASOLINE ENGINE DRIVEN SKID MOUNTED TUBULAR FRAME 1 5 KW SI PHASE AC 120 240 V 28 V DC LESS ENGINE DOD MODELS MEP 01 60 HZ NSN 6115 00 889 1446 AND MODEL MEP 025A 28 V DC 6115 00 017 8236 TO 35C2 3 385 1 015380 TM 5 6115 332 24P 3 GENERATOR GASOLINE ENGINE AIR COOLED 5 KW AC 120 240 V SINGLE PHASE 120 208 V 3 PHASE SKID MOUNTED TUBULAR FRAME LESS ENGINE M DESIGN 60 HZ DOD MODEL MEP 017A NSN 6115 00 017 8240 400 DOD MODEL MEP 022A 6115 00 017 8241 TO 35C2 3 424 24 020611 LO 5 6115 457 12 GENERATOR SET DIESEL ENGINE DRIVEN SKID MTD 100 KW 3 PHASE 120 208 AND 240 416 V DOD MODELS MEP 007A UTILITY CLASS 50 NSN 6115 00 133 9101 MODEL MEP 106A PRECISE CLASS 50 60 H 6115 00 133 9102 AND MODEL MEP 116A PRECISE CLASS 400 HZ 6115 00 133 9103 020612 LO 5 6115 458 12 GENERATOR SET DIESEL ENGINE DRIVEN SKID MTD 200 KW 3 PHASE 4 WIRE 120 208 416 VOLTS DOD MODELS MEP 009A UTILITY CLASS 50 60 HERTZ NSN 6115 00 133 9104 MEP 108A PRECISE CLASS 50 HERTZ 6115 00 935 8729 LO 07536A 12 020614 LO 5 6115 465 12 GENERATOR SET DIESEL ENGINE DRIVEN TACTICAL SKID MOUNTED 30 3 PHASE 4 WIRE 120 206 AND 240 416 V DOD MODEL MEP 055A UT CLASS 50 60 HZ NSN 6115 00 118 1240 MODEL MEP 104A PRECI CLASS 50 60 HZ 6115 00 118 1247 AND MODEL 114A PRECISE CLA 400 HZ 6115 00 118 1248 025150 TM 5 6115 271 14 12 GENERATOR SET GASOLINE ENGINE DRIVEN S MTD TUBULAR FRAME 3 KW 3 PHASE AC 120 208 AND 120 240 V 2 DC LESS ENGINE DOD MODEL MEP 016A 60 HZ NSN 6115 00 017 823 MODEL MEP 016C 60 HZ 6115 00 143 3311 MODEL MEP 021A 400 HZ 6115 00 017 8238 MODEL MEP 021C 400 HZ 6115 01 175 7321 MODEL MEP 026A DC HZ 6115 00 017 8239 MODEL MEP 026C 28 V DC 6115 01 175 7320 TO 35C2 3 386 1 TM 05926A 14 NAVFAC P 8 6 025151 TM 5 6115 271 24P 3 GENERATOR SET GASOLINE ENGINE DRIVEN SKID MOUNTED TUBULA FRAME 3 KW 3 PHASE AC 120 208 AND 120 240 VOLTS 28 VDC LE ENGINE DOD

MODEL MEP 016A 60 HERTZ NSN 6115 00 017 8237 MEP 021A 400 HERTZ 6115 00 017 8238 MEP 026A 28 VDC HERTZ 6115 00 017 8239 MEP 016C 60 HERTZ 6115 01 143 3311 MEP 400 HERTZ 6115 01 175 7321 MEP 026C 28 VDC HERTZ 6115 01 175 7320 TO 35C2 3 386 4 SL 4 05926A 032507 TM 5 6115 275 14 10 GENERATOR SET GASOLINE ENGINE DRIVEN SKID MOUNTED TUBULAR FRAME 10 KW AC 120 208V PHASE AND 120 240V SINGLE PHASE LESS ENGINE DOD MODELS MEP HZ NSN 6115 00 889 1447 AND MEP 023A 400 HZ 6115 00 926 08 NAVFAC P 8 615 14 TO 35C2 3 452 1 THIS ITEM IS INCLUDED ON EM 0086 EM 0088 D MEP 018A UTILITY CLASS 60 HZ NSN 6115 00 889 1447 AND MEP 0 PRECISE CLASS 400 HZ 6115 00 926 0843 NAVFAC P8 615 24P TO 35C2 3 452 4 THIS ITEM IS INCLUDED ON EM 0086 EM 0088 1 PHASE 3 WIRE 3 PHASE 4 WIRE 120 120 240 AND 120 208 V DOD MODEL MEP 002A UTILITY CLASS 60 HZ NSN 6115 00 465 1044 NAVFAC P 8 622 12 TO 35C2 3 456 1 TM 05682C 12 032640 TM 5 6115 585 12 12 GENERATOR SET DIESEL ENGINE DRIVEN TACTICAL SKID MTD 10 KW 1 PHASE 2 WIRE 1 PHASE 3 WIRE AND 3 PHASE 4 WIRE 120 120 240 AND 120 208 V DOD MODEL MEP 003A UTILITY CLASS 60 HZ NSN 6115 00 465 1030 AND MODEL MEP 112A UTILITY CLASS 400 HZ 6115 00 465 1027 NAVFAC P 8 623 12 TO 35C2 3 455 1 TM 05684C 05685B 12 032781 TM 5 6115 584 34 8 GENERATOR SET DIESEL ENGINE DRIVEN TAC SKID MOUNTED 5 KW 1 PHASE 2 WIRE 1 PHASE 3 WIRE 3 PHASE 120 120 240 AND 120 208 V DOD MODEL MEP 002A UTILITY CLASS NSN 6115 00 465 1044 NAVFAC P 8 622 34 TO 35C2 3 456 2 TM 0568C 34 032936 TM 5 6115 329 14 4 GENERATOR SET GASOLINE ENGINE DRIVEN 0 5 KW LESS ENGINE DOD MODEL MEP 014 UTILITY CLASS 60 HZ NSN 6115 00 923 4469 DOD MODEL MEP 01 UTILITY CLASS 400 HZ 6115 00 940 7862 AND DOD MODEL MEP 024 UTILITY CLASS 28 VDC 6115 00 940 7867 TO 35C2 3 440 1 033374 TM 5 6115 332 14 10 GENERATOR SET TAC GASOLINE ENGINE AIR COOLED 5 KW AC 120 240 V SINGLE PHASE V 3 PHASE SKID MOUNTED TUBULAR FRAME LESS ENGINE MILITARY DOD MODEL MEP 017A UTILITY 60 HZ NSN 6115 00 017 8240 AND MODEL MEP 022A UTILITY 400 HZ 6115 00 017 8241 NAVFAC P 8 614 14 TO 35C2 3 424 1 033750 TM 5 6115 585 34 9 GENERATOR SET DIESEL ENGINE DRIVEN TAC SKID MOUNTED 10 KW 1 PHASE 2 WIRE 1 PHASE 3 WIRE 3 PHASE 4 WIRE 120 120 240 AND 120 208 VOLTS DOD MODEL MEP 003A UT CLASS 60 HZ NSN 6115 00 465 1030 NAVFAC P 8 623 12 TO 35C2 3 455 2 TM 05684C 05685B 34 034072 TM 5 6115 585 24P 5 GENERATOR SET DIESEL ENGINE DRIVEN TA SKID MTD 10 KW 1 PHASE 2 WIRE 1 PHASE 3 WIRE 3 PHASE 4 W 120 120 240 AND 120 208 V DOD MODELS 003A UTILITY CLASS 60 NSN 6115 00 465 1030 AND MODEL MEP 112A UTILITY CLASS 400 6115 00 465 1027 NAVFAC P 8 623 24P TO 35C2 3 455 4 SL 4 05684C 06585B 040180 TM 5 6115 584 12 HR HAND RECEIPT MANUAL COVERING END ITEM COMPONENTS OF END ITEM C BASIC ISSUE ITEMS BII AND ADDITIONAL AUTHORIZATION LIST AAL GENERATOR SET DIESEL ENGINE DRIVEN TACTICAL SKID MTD 5 KW 1 WIRE 1 PH 3 WIRE 3 PH 4 WIRE 120 120 240 AND 120 208 V D MEP 002A UTILITY CLASS 60 HZ NSN 6115 00 465 1044 040833 TM 5 6115 458 12 HR HAND RECEIPT MANUAL COVERING THE END ITEM COMPONENTS OF END ITE BASIC ISSUE ITEMS BII AND ADDITIONAL

AUTHORIZATION LIST AA GENERATOR SET DIESEL ENGINE DRIVEN TACTICAL SKID MOUNTED 20 3 PHASE 4 WIRE 120 208 AND 240 416 V DOD MODEL MEP 009A UT CLASS 50 60 HZ NSN 6115 00 133 9104 AND DOD MODEL MEP 108A PRECISE CLASS 50 60 HZ 6115 00 935 8729 040843 TM 5 6115 593 34 GENERATOR SET DIESEL ENGINE DRIVEN TAC SKID MTD 500 KW 3 PHASE 4 WIRE 120 208 AND 240 416 VOLTS DOD MODEL MEP 029A CLASS UTILITY 50 60 HZ NSN 6115 01 030 DOD MODEL MEP 029B CLASS UTILITY 50 60 HZ 6115 01 318 6302 INCLUDING OPTIONAL KITS DOD MODEL MEP 029AHK HOUSING KIT 6115 01 070 7550 DOD MODEL MEP 029ACM AUTOMATIC CONTROL MO 6115 01 275 7912 DOD MODEL MEP 029ARC REMOTE CONTROL MODULE 6110 01 070 7553 DOD MODEL MEP 029ACC REMOTE CONTROL CABLE 6110 01 087 4127 NAVFAC P 8 041070 TM 5 6115 593 12 GENERATOR SET ENGINE DRIVEN TACTICAL SKID MTD 500 KW 3 PHASE 4 WIRE 120 240 416 VOLTS DOD MODEL MEP 029A CLASS UTILITY HERTZ 50 60 NSN 6115 01 030 6085 MEP 029B UTILITY 50 60 6115 01 318 INCLUDING OPTIONAL KTS DOD MODELS MEP 029AHK NOMENCLATURE HOUS 6115 01 070 7550 MEP 029ACM AUTOMATIC CONTROL MODULE 6115 01 275 7912 MEP 029ARC REMOTE CONTROL MODULE 6110 01 070 7553 MEP 029ACC REMOTE CONTROL CABLE 6110 01 087 4127 TO 35C2 3 463 1 041338 LO 55 1730 229 12 POWER UNIT AVIATION MULTI OUTPUT GTED ELECTRICAL HYDRAULIC PNEUMATIC AGPU WHEEL MOUNTED SELF PROPELLED TOWABLE DOD MODEL MEP 360A CLASS PRECISE HERTZ 400 NSN 1730 01 144 1897 042791 TM 5 6115 457 12 HR HAND RECEIPT MANUAL COVERING THE BASIC ISSUE ITEMS BII FOR GE SET DIESEL ENGINE DRIVEN TACTICAL SKID MTD 100 KW 3 PHASE 120 208 AND 240 416 V DOD MODELS MEP007A UTILITY CLASS 50 6 NSN 6115 00 133 9101 MODEL MEP 106A PRECISE CLASS 50 60 6115 00 133 9102 AND MODEL MEP116A PRECISE CLASS 400 HZ 6115 00 133 9103 043437 TM 5 6115 593 24P 1 GENERATOR SET DIESEL ENGINE DRIVEN TACTICAL SKID MOUNTED 500 KW 3 PHA 4 WIRE 120 208 AND 240 416 VOLTS DOD MODEL MEP 029A UTILITY CL 50 60 HZ NSN 6115 01 030 6085 MEP 029B UTILITY CLASS 50 60 6115 01 318 6302 INCLUDING OPTIONAL KITS DOD MODEL MEP 029AHK HOUSING KIT 6115 01 070 7550 MEP 029ACM AUTOMATIC CONTROL MOD 6115 01 275 7912 MEP 029ARC REMOTE CONTROL MODULE 6110 01 070 7553 MEP 029ACC REMOTE CONTROL CABLE 6110 01 087 NAVFAC P 8 631 24P TO 35C2 3 463 4 044703 TM 5 6115 545 12 HR HAND RECEIPT MANUAL COVERING COMPONENTS OF END ITEM COEI BAS ITEMS BII AND ADDITIONAL AUTHORIZATION LIST AAL FOR GENERA DIESEL ENGINE DRIVEN TACTICAL SKID MTD 60 KW 3 PHASE 4 WIRE 120 208 AND 240 416 V DOD MODELS MEP 006A UTILITY CLASS 50 6 NSN 6115 00 118 1243 MODEL MEP 105A PRECISE CLASS 50 60 H 6115 00 118 1252 AND MODEL MEP 115A PRECISE CLASS 400 HZ 6115 00 118 1253 050998 TM 5 6115 600 12 8 GENERATOR DIESEL ENGINE DRIVEN TACTICAL SKID MTD 100 KW 3 PHASE 4 WIR 120 208 AND 240 416 V DOD MODEL MEP 007B CLASS UTILITY 50 60 NSN 6115 01 036 6374 INCLUDING OPTIONAL KITS DOD MODEL MEP00 WINTERIZATION KIT FUEL BURNING AND MEP007BWE WINTERIZATION KIT ELECTRIC 051007 TM 5 6115 600 24P 4 GENERATOR SET DIESEL ENGINE DRIVEN 100 KW 3

PHASE 4 WIRE 120 208 AND VOLTS DOD MODEL MEP 007B UTILITY CLASS 50 60 HZ NSN 6115 01 036 6374 INCLUDING OPTIONAL KITS DOD MODEL MEP007BWF WINTERIZATION KIT FUEL BURNING AND MEP007BWE WINTERIZATION KIT ELECTRIC TO 35C2 3 442 14 NAVFAC P 8 628 24P SL 4 07464B 057268 LO 5 6115 600 12 GENERATOR SET DIESEL ENGINE DRIVEN TACTICAL SKID MTD 100 KW PHASE 4 WIRE 120 208 AND 240 416 V DOD MODEL MEP007B CLASS UTILITY 50 60 HZ NSN 6115 01 036 6374 057513 LO 5 6115 604 12 GENERATOR SET DIESEL ENGINE DRIVEN AIR TRANSPORTABLE SKID MT 750 KW 3 PHASE 4 WIRE 2400 4160 AND 2200 3800 VOLTS DOD MOD MEP208A CLASS PRIME UTILITY HZ 50 60 NSN 6115 00 450 5881 LI 6115 12 9 060183 TM 5 6115 612 24P 6 GENERATOR SET AVIATION GAS TURBINE ENGINE DRIVEN INTEGRA TRAILER MOUNTED 10KW 28 VOLTS MODEL MEP 362A PRECISE DC NSN 6115 01 161 3992 TM 6115 24P 1 AG 320B0 IPE 000 TO 35C2 3 471 4 060188 TM 5 6115 612 34 4 GENERATOR SET AVIATION GAS TURBINE ENG DRIVEN INTEGRAL TRAILER MOUNTED 10KW 28 VOLTS DOD MODEL MEP 36 PRECISE DC NSN 6115 01 161 3992 AG 320B0 MME 000 TM 6115 TO 35C2 3 471 2 060645 LO 5 6115 612 12 AVIATION GENERATOR SET GAS TURBINE ENGINE DRIVEN INTEGRAL TR MOUNTED 10KW 28 VOLTS DC DOD MODEL MEP 362A CLASS PRECISE NSN 6115 01 161 3992 060921 TM 55 1730 229 34 5 POWER UNIT AVIATION MULTI OUTPUT GTED ELECTRICAL HYDRAULIC PNEUMATIC AGPU WHEEL MOUNTED SELF PROPELLED TOWA AC 400HZ 3PH 0 8 PF 115 200V 30 KW DC 28VDC 700 AMPS PNEUMATIC 60 LBS MIN AT 40 PSIG HYDRAULIC 15 GPM AT 3300 PS DOD MODEL MEP 360A CLASS PRECISE 400 HERTZ NSN 1730 01 144 AG 320A0 MME 000 TO 35C2 3 473 2 TM 1730 34 1 060922 TM 55 1730 229 12 8 POWER UNIT AVIATION MULTI OUTPUT GTED ELECTRICAL HYDRAULIC PNEUMATIC AGPU WHEEL MOUNTED SELF PROPELLED TOWABLE AC 400HZ 3PH 0 8 PF 115 200V 30 KW DC 28 VDC 700 AMPS PNEUMATIC 60 LBS M AT 40 PSIG HYDRAULIC 15 GPM AT 3300 PSIG DOD MODEL MEP 360A CLASS PRECISE HERTZ 400 NSN 1730 01 144 1897 AG 320A0 OMM 000 TO 35C2 3 473 1 TM 1730 12 1 061758 LO 5 6115 614 12 GENERATOR SET DIESEL ENGINE DRIVEN TACTICAL SKID MTD 200 KW 3 PHASE 4 WIRE 120 208 AND 240 416 VOLTS MODEL MEP009B UTILI 50 60 HERTZ NSN 6115 01 021 4096 061772 LO 5 6115 622 12 GENERATOR SET DIESEL ENGINE DRIVEN WHEEL MOUNTED 750 KW 3 PH 4 WIRE 2200 3800 AND 2400 4160 VOLTS CUMMINS ENGINE COMPANY IN MODEL KTA 2300G 2 DOD MODEL MEP 012A CLASS UTILITY HERTZ 062762 LO 5 6115 615 12 GENERATOR SET DIESEL ENGINE DRIVEN TACTICAL SKID MOUNTED 3 K MODEL 016B CLASS UTILITY MODE 50 60 HZ NSN 6115 01 150 4140 DOD MODEL MEP 021B CLASS UTILITY MODE 400 HZ 6115 01 151 812 DOD MODEL MEP 026B CLASS UTILITY MODE 28 VDC 6115 01 150 036 LI 05926B 06509B 12 5 P 8 646 LO 064310 TM 5 6115 626 14 TM 1730 24P AG 320A0 IPB 000 065603 TB 5 6115 593 24 WARRANTY PROGRAM FOR GENERATOR SET DOD MODEL MEP 029A HOUSING K DOD MODEL MEP 029AHK 066727 TM 5 6115 640 14 2 MEP 005A 30 KW 60 HZ GEN SETS 2 M200A1 2 WHEEL 4 TIRE MODIFIED TRAILERS 066809 TM 5 6115 630 14 MEP 104A PRECISE 50 60 HERTZ 6115 00 118 1247 MEP 114A PRECISE

400 HERTZ 6115 00 118 INCLUDING AUXILIARY EQUIPMENT MEP 005AWF WINTERIZATION KIT FUE BURNING 6115 00 463 9083 MEP 005AWE WINTERIZATION KIT ELEC 6115 00 067310 TM 9 6115 650 14 DOD MODEL MEP 104A 6115 00 118 1245 DOD MODEL MEP 113A 6115 00 118 1244 069954 TM 9 6115 465 24P 2 GENERATOR SET DIESEL ENGINE DRIVE TACTICAL SKID MTD 30KW 3 PHASE 4 WIRE 120 208 AND 240 416 V MODELS MEP 005A UTILITY 50 60 HZ NSN 6115 00 118 1240 MEP 104A PRECISE 50 60 HZ 6115 00 118 1247 MEP 114A PRECISE 400 H 6115 00 118 1248 INCLUDING OPTIONAL KITS DOD MODELS MEP 00 WINTERIZATION KIT FUEL BURNING 6115 00 463 9083 MEP 005 AW WINTERIZATION KIT ELECTRIC 6115 00 463 9085 MEP 002 ALM L BANK KIT 6115 00 463 9088 MEP 005 AWM WHEEL MOUNTING KIT 6115 00 463 9094 TO 35C2 3 070096 TM 9 6115 464 24P 1 GENERATOR S DIESEL ENGINE DRIVEN TACTICAL SKID MTD 15KW 3 PHASE 4 WIRE 120 208 AND 240 416 VOLTS DOD MODEL MEP 004A UTILITY CLASS 50 60 HERTZ NSN 6115 00 118 1241 DOD MODEL MEP 103A PRECISE CLASS 50 60 HERTZ 6115 00 118 1245 DOD MODEL MEP 113A PRECI CLASS 400 HERTZ 6115 00 118 1244 INCLUDING OPTIONAL KITS DOD MODEL MEP 005 AWF WINTERIZATION KIT FUEL BURNING 6115 00 463 DOD MODEL MEP 005 AWE WINTERIZATION KIT ELECTRIC 6615 00 46 DOD MODEL MEP 004 ALM LOAD BANK KIT 6115 00 191 9201 071025 TM 9 6115 641 10 2 GENERATOR SET SKID MOUNTED TACTICAL QUIET 5 KW 60 AND 400 HZ MEP 802A 60 HZ NSN 6115 01 274 7387 MEP 812A 400 HZ 6115 01 274 7391 TO 35C2 3 456 11 071026 TM 9 6115 642 10 2 GENERATOR SET SKID MOUNTED TACTICAL QUIE 10 KW 60 AND 400 HZ MEP 803A 60 HZ NSN 6115 01 275 5061 MEP 813A 400 HZ 6115 01 274 7392 TO 35C2 3 455 11 TM 09247A 09248A 10 1 071028 TM 9 6115 643 10 3 GENERATOR SET SKID MOUNTED TACTICAL QUI 15 KW 50 60 AND 400 HZ MEP 804A 50 60 HZ NSN 6115 01 274 73 MEP 814A 400 HZ 6115 01 274 7393 TO 35C2 3 445 21 071029 TM 9 6115 644 10 2 GENERATOR SET SKID MOUNTED TACTICAL QUIET 30 KW 50 60 AND 400 HZ MEP 805A 50 60 HZ NSN 6115 01 274 7389 MEP 815A 400 HZ 6115 01 274 7394 TO 35C2 3 446 11 TM 09249A 09246A 10 1 071030 TM 9 6115 645 10 2 GENERATOR SET SKID MOUNTED TACTICAL QUIET 60 KW 50 60 AND 400 HZ MEP 806A 50 60 HZ NSN 6115 01 274 7390 MEP 816A 400 HZ 6115 01 274 7395 TO 35C2 3 444 11 TM 09244A 09245A 10 1 071031 LO 9 6115 641 12 GENERATOR SET SKID MOUNTED TACTICAL QUIET 5 KW 60 AND 400 HZ MEP 802A TACTICAL QUIET 60 HZ NSN 6115 01 274 7387 MEP 812A TACTICAL QUIET 400 HZ 6115 01 274 7391 071032 LO 9 6115 642 12 GENERATOR SET SKID MOUNTED TACTICAL QUIET 10 KW 60 AND 400 H MEP 803A TACTICAL QUIET 60 HZ NSN 6115 01 275 5061 MEP 813A TACTICAL QUIET 400 HZ 6115 01 274 7392 071033 LO 9 6115 643 12 GENERATOR SET SKID MOUNTED TACTICAL QUIET 15 KW 50 60 400 HZ MEP 804A TACTICAL QUIET 50 60 HZ NSN 6115 01 274 7388 MEP 814 TACTICAL QUIET 400 HZ 6115 01 274 7393 071034 LO 9 6115 644 12 GENERATOR SET SKID MOUNTED TACTICAL QUIET 30 KW 50 60 AND 40 MEP 805A TACTICAL QUIET 50 60 HZ NSN 6115 01 274 7389 MEP 815 TACTICAL QUIET 400 HZ 6115 01 274 7394 LI 09249A 09246A 12 071035 LO 9 6115 645 12 GENERATOR SET SKID MOUNTED TACTICAL QUIET 60 KW 50 60 AND 40

MEP 806A TACTICAL QUIET 50 60 HZ NSN 6115 01 274 7390 MEP 816 TACTICAL QUIET 400 HZ 6115 01 274 7395 LI
09244A 09245A 12 071036 TB 9 6115 641 24 WARRANTY PROGRAM FOR GENERATOR SET TACTICAL QUIET 5 KW 60
AND 400 HZ MEP 802A AND MEP 812A 071037 TB 9 6115 642 24 WARRANTY PROGRAM FOR GENERATOR SET
TACTICAL QUIET 10 KW 60 AND 400 HZ MEP 803A AND MEP 813A SI 09247A 09248A 24 071038 TB 9 6115 643 24
WARRANTY PROGRAM FOR GENERATOR SET TACTICAL QUIET 15 KW 50 60 AND 400 HZ MEP 804A AND MEP 814A
071039 TB 9 6115 644 24 WARRANTY PROGRAM FOR GENERATOR SET TACTICAL QUIET 30 KW 50 60 AND 400 HZ MEP
805A AND MEP 815A SI 09249A 09246A 24 071040 TB 9 6115 645 24 WARRANTY PROGRAM FOR GENERATOR SET
TACTICAL QUIET 60 KW 50 60 AND 400 HZ MEP 806A AND MEP 816A SI 09244A 09245A 24 071541 TM 9 6115 464 12 2
GENERATOR SET DIESEL ENGINE DRIVEN TACTICAL SKID MTD 15 KW 3 PHASE 4 WIRE 120 2 AND 240 416 VOLTS DOD
MODEL MED 004A UTILITY CLASS 50 60 HERTZ NSN 6115 00 118 1241 DOD MODEL MEP 103A PRECISE CLASS 50 60
HERTZ 6115 00 118 1245 DOD MODEL MEP 113A PRECISE CLASS 400 HERTZ 6115 00 118 1244 INCLUDING OPTIONAL
KITS DOD MODEL MEP 005 AWF WINTERIZATION KIT FUEL BURNING 6115 00 463 9083 DOD MODEL MEP 005 AWE
WINTERIZATION KIT ELECTRIC 6115 00 463 9085 DOD MODEL MEP 004 ALM LOAD BANK KIT 6115 00 291 071604 TM 9
6115 645 24P GENERATOR SET TACTICAL QUIET 60KW 50 60 400 HZ NSN 6115 01 274 7390 MEP 806A 6115 01 274
7395 MEP 816A TO 35C2 3 444 14 TM 09244A 09245A 24P 3 071605 TM 9 6115 642 24P GENERATOR SET TACTICAL
QUIET 10 KW 60 400 HZ NSN 6115 01 275 5061 MEP 803A 6115 01 274 7392 MEP 813A TO 35C2 3 455 14 TM 09247A
09248A 24P 3 071610 TM 9 6115 643 24P GENERATOR SET TACTICAL QUIET 15KW 50 60 400 HZ NSN 6115 01 274 7388
MEP 804A 6115 01 274 7393 MEP 814A TO 35C2 3 445 24 071611 TM 9 6115 644 24P GENERATOR SET TACTICAL QUIET
30KW 50 60 400 HZ NSN 6115 01 274 7389 MEP 805A 6115 01 274 7394 MEP 815A TO 35C2 3 446 14 TM 09249A 09246A
24P 3 071613 TM 9 6115 641 24P GENERATOR SET TACTICAL QUIET 5 KW 60 400 HZ NSN 6115 01 274 7387 MEP 802A
6115 01 274 7391 MEP 812A TO 35C2 3 456 14 071713 TM 9 6115 645 24 4 GENERATOR SET SKID MOUNTED TACTICAL
QUIET 60KW 50 60 AND 400 HZ MEP 806A 50 60 HZ NSN 6115 01 274 7390 MEP 816A 400 HZ 6115 01 274 7395 TO 35C2
3 444 12 TM 09244A 09245A 24 2 071748 TM 9 6115 644 24 1 GENERATOR SET SKID MOUNTED TACTICAL QUIET 30 KW
50 60 AND 400 HZ MEP 805A 50 60 HZ NSN 6115 01 274 7389 MEP 815A 400 HZ 6115 01 274 7394 TO 35C2 3 446 12 TM
09249A 09246A 24 2 071749 TM 9 6115 643 24 4 GENERATOR SET SKID MOUNTED TACTICAL QUIET 15 KW 50 60 AND
400 HZ MEP 804A 50 60 HZ NSN 6115 01 274 7388 MEP 814A 400 HZ 6115 01 274 7393 TO 35C2 3 445 22 071750 TM 9
6115 642 24 4 GENERATOR SET SKID MOUNTED TACTICAL QUIET 10 KW 60 AND 400 HZ MEP 803A 60 HZ NSN 6115 01
275 5061 MEP 813A 400 HZ 6115 01 274 7392 TO 35C2 3 455 12 TM 09247A 09248A 24 2 071751 TM 9 6115 641 24 3
GENERATOR SET SKID MOUNTED TACTICAL QUIET 5 KW 60 AND 400 HZ MEP 802A 60 HZ NSN 6115 01 274 7387 MEP
812A 400 HZ 6115 01 274 7391 TO 35C2 3 456 12 072239 TM 9 6115 464 34 1 GENERATOR SET DIESEL ENGINE DRIVEN

TACTICAL SKID MTD 15 KW 3 PHASE 4 WIRE 120 208 AND 240 416 VOLTS DOD MODEL MEP 004A UTILITY CLASS 50 60 HERTZ NSN 6115 00 118 1241 DOD MODEL MEP 103A PRECISE CLASS 50 60 HERTZ 6115 00 118 1245 DOD MODEL MEP 113A PRECISE CLASS 400 HERTZ 6115 00 118 1244 INCLUDING OPTIONAL KITS DOD MODEL MEP 005AWF WINTERIZATION KIT FUEL BURNING 6115 00 463 9083 DOD MODEL MEP 005AWE WINTERIZAT KIT ELECTRIC 6115 00 463 9085 DOD MODEL MEP 004ALM LOAD BANK KIT 6115 00 291 920 073744 TM 9 6115 604 24P 1 GENERATOR SET DIESEL ENGINE DRIVEN AIR TRANSPORTABLE SKID MOUNTED 750KW 3 PHASE 4 WIRE 2400 4160 AND 2200 3800 VOLTS DOD MODEL MEP208A PRIME UTILITY CLASS 50 60 HERTS NSN 6115 00 450 5881 DOD MODEL 80 1466 REMOTE CONTROL MODULE CLASS 6115 01 150 5284 DOD MODEL 80 7320 SITE REQUIREMENTS MODULE CLASS 6115 01 150 5 NAVFAC P 8 633 24P 074040 TM 9 6115 545 24P GENERATOR SET DIESEL ENGINE DRIVEN TAC SKID MTD 60 KW 3 PHASE 4 WIRE 120 208 AND 240 416 VOLTS D MODELS MEP 006A UTILITY CLASS 50 60 H Z NSN 6115 00 118 124 MEP 105A PRECISE CLASS 50 60 H Z 6115 00 118 1252 MEP 115 PRECISE CLASS 400 H Z 6115 00 118 1253 INCLUDING OPTIONAL K DOD MODELS MEP 006AWF WINTERIZATION FUEL BURNING 6115 00 407 MEP 006AWE WINTERIZATION KIT ELECTRIC 6115 00 455 7693 ME LOAD BANK KIT 6115 00 407 8322 AND MEP 006AWM WHEEL MOUNTI 6115 00 463 9092 TO 074212 TM 9 6115 604 12 GENERATOR SET DIESEL DRIVEN AIR TRANSPORTABLE SKID MTD 750 KW 3 PHASE 4 WIRE 24 AND 2200 3800 V DOD MODEL MEP 208A CLASS PRIME UTILITY HZ 50 NSN 6115 00 450 5881 NAVFAC P 8 633 12 074896 TM 9 6115 604 34 GENERATOR SET DIESEL ENGINE DRIVEN AIR TRANSPORTABLE SKID MTD 750 KW 3 PHASE 4 WIRE 2400 4160 AND 2200 3800 VOLTS DOD MODEL MEP 208A PRIME UTILITY CLASS 50 60 HERTZ NSN 6115 00 450 5881 NAVFAC P 8 633 34 075027 TM 9 6115 584 24P 1 GENERATOR SET DIESEL E DRIVEN TACTICAL SKID MTD 5 KW 1 PHASE 2 WIRE 1 PHASE 3 WIR 3 PHASE 4 WIRE 120 120 240 AND 120 208 VOLTS DOD MODEL MEP UTILITY CLASS 60 HZ NSN 6115 00 465 1044 NAVFAC P 8 622 24P TO 35C2 3 456 4 077581 TM 9 6115 673 13 P 2KW MILITARY TACTICAL GENERATOR SET 120 VAC 60 HZ NSN 6115 01 435 1565 MEP 531A EIC LKA NSN 6115 21 912 0393 MECHRON 28 VDC NSN 6115 01 435 1567 MEP 501A EIC LKD NSN 6115 21 912 0392 MECHRON 078167 TM 9 6115 672 14 GENERATOR SET SKID MOUNTED TACTICAL QUIET 60KW 50 60 AND 400 HZ MEP 806B 50 60 HZ NSN 6115 01 462 0291 EIC GGW MEP 816B 400 HZ NSN 6115 01 462 0292 EIC GGX 078443 TM 9 6115 639 13 1 3KW TACTICAL QUIET GENERATOR SET MEP 831A 60 HZ NSN 6115 01 285 3012 EIC VG6 MEP 832A 400 HZ NSN 6115 01 287 2431 EIC VN7 078490 TM 9 6115 671 14 OPERATOR UNIT GENERATOR SET SKID MOUNTED TACTICAL QUIET 30 KW 50 60 AND 400 HZ MEP 805B 50 60 HZ NSN 6115 01 461 9335 EIC GGU MEP 815B 400 HZ 6115 01 462 0290 EIC GGV 078503 TM 9 6115 671 24P GENERATOR SET SKID MOUNTED TACTICAL QUIET 30 KW 50 60 AND 400 HZ MEP 805B 50 60 HZ NSN 6115 01 461 9335 EIC GGU MEP 815B 400 HZ NSN 6115 01 462 0290 EIC GGV 078504 TM 9 6115 672 24P GENERATOR SET SKID MOUNTED TACTICAL QUIET 60 KW 50 60 AND 400 HZ MEP 806B 50 60 HZ NSN

6115 01 462 0291 EIC GGW MEP 816B 400 HZ NSN 6115 01 462 0292 EIC GGX 078505 TB 9 6115 671 24 WARRANTY PROGRAM FOR GENERATOR SET TACTICAL QUIET 30KW 50 60 AND 400 HZ MEP 805B AND MEP 815B PROCURED UNDER CONTRACT DAAK01 96 D 00620WITH MCII INC 078506 TB 9 6115 672 24 WARRANTY PROGRAM FOR GENERATOR SET TACTICAL QUIET 30KW 50 60 AND 400 HZ MEP 806B AND MEP 816B PROCURED UNDER CONTRACT DAAK01 96 D 00620WITH MCII INC 078523 TM 9 6115 664 13 P 5KW 28VDC AUXILIARY POWER UNIT APU MEP 952B NSN 6115 01 452 6513 EIC N A 078878 TM 9 6115 639 23P 3KW TACTICAL QUIET GENERATOR SET MEP 831A 60 HZ NSN 6115 01 285 3012 EIC VG6 MEP 832A 400 HZ NSN 6115 01 287 2431 EIC VN7 079379 TB 9 6115 641 13 WINTERIZATION KIT NSN 6115 01 476 8973 INSTALLED ON GENERATOR SET SKID MOUNTED TACTICAL QUIET 5KW 60 AND 400 HZ MEP 802A 600HZ 6115 01 274 7387 MEP 812A 400HZ 6115 01 274 7391 079460 TB 9 6115 642 13 WINTERIZATION KIT NSN 6115 01 477 0564 EIC N A INSTALLED ON GENERATOR KIT SKID MOUNTED TACTICAL QUIET 10KW 60 AND 400 HZ MEP 803A 60HZ 6115 01 275 0561 MEP 813A 400HZ 6115 01 274 7392 079461 TB 9 6115 643 13 WINTERIZATION KIT NSN 6115 477 0566 INSTALLED ON GENERATOR SET SKID MOUNTED TACTICAL QUIET 15KW 50 60 AND 400 HZ MEP 804A 50 60HZ 6115 01 274 7388 MEP 814A 400HZ 6115 01 274 7393 079462 TB 9 6115 644 13 WINTERIZATION KIT NSN 6115 01 474 8354 EIC N A INSTALLED ON GENERATOR SET SKID MOUNTED 30KW 50 60 AND 400 HZ MEP 805A 50 60HZ NSN 6115 01 274 7389 MEP 815A 400HZ NSN 611501 274 7394 079463 TB 9 6115 645 13 WINTERIZATION KIT NSN 6115 01 474 8344 EIC N A INSTALLED ON GENERATOR SET SKID MOUNTED TACTICAL QUIET 60KW 50 60 AND 400 HZ MEP 806A 50 60HZ 6115 01 274 7390 MEP 816A 400HZ 6115 01 274 7395 080214 TM 9 6115 670 14 P AUXILIARY POWER UNIT 20KW 120 240 VAC 60 HZ MODEL NO MEP 903A SICPS NSN 6115 01 431 3062 MODEL NUMBER MEP 903B JTACS NSN 6115 01 431 3063 MODEL NO MEP 903C9WIN T NSN 6115 01 458 5329 EIC N A

Monthly Catalog of United States Government Publications United States. Superintendent of Documents,1978 February issue includes Appendix entitled Directory of United States Government periodicals and subscription publications September issue includes List of depository libraries June and December issues include semiannual index **Monthly Catalog of United States Government Publications** ,1989 **Field Manuals** United States. War Department,1948 **Diesel Generator Handbook** L. L. J. Mahon,1992-09-23 This book is an authoritative reference work covering the range of mechanical and electrical topics embodied in the practical design and application of diesel generating plant *Catalog of Copyright Entries. Third Series* Library of Congress. Copyright Office,1976 **Manuals Combined: 50 + Army T-62 T-53 T-55 T-700 AVIATION GAS TURBINE ENGINE Manuals** , Over 70 350 Mbs U S Army Repair Maintenance and Part Technical Manuals TMs related to U S Army helicopter and fixed wing turbine aircraft engines as well as turbine power plants generators Just a SAMPLE of the CONTENTS ENGINE AIRCRAFT TURBOSHAFT MODELS T700 GE 700 T700 GE 701 T700 GE 701C 1 485 pages TURBOPROP AIRCRAFT ENGINE 526 pages ENGINE GAS TURBINE MODEL T55 L 712 997

pages ENGINE ASSEMBLY GAS TURBINE GTCP36 150 BH GTCP36 150 BH 324 pages ENGINE AIRCRAFT GAS TURBINE T63 A 5A T63 A 700 144 pages ENGINE AIRCRAFT GAS TURBINE MODEL T63 A 720 208 pages ENGINE AIRCRAFT TURBOSHAFT T703 AD 700 T703 AD 700A T703 AD 700B 580 pages ENGINE ASSEMBLY T700 GE 701 247 pages ENGINE ASSEMBLY GAS TURBINE GTCP3645 H 214 pages ENGINE AIRCRAFT GAS TURBINE MODEL T63 A 720 208 pages GAS TURBINE ENGINE AUXILIARY POWER UNIT APU MODEL T 62 T 40 1 344 pages ENGINE ASSEMBLY T700 GE 700 243 pages SANDY ENVIRONMENT AND OR COMBAT OPERATIONS FOR T53 L 13B T53 L 13BA AND T53 L 703 ENGINES 112 pages DUAL PURPOSE MOBILE CHECK AND ADJUSTMENT GENERATOR STAND FOR T62T 2A AND T62T 2A1 AUXILIARY POWER UNITS T62T 40 1 AND T62T 2B AUXILIARY POWER UNITS 193 pages Others included POWER PLANT UTILITY GAS TURBINE ENGINE DRI LIBBY WELDING CO MODEL LPU 71 FSN 6115 937 0929 NON WINT AND 6115 134 0825 WINTERIZED POWER PLANT UTILITY MUST GAS TURBINE ENGINE DRIVEN AIRESEARCH CO MODEL NO PPU85 5 LIBBY WELDING CO MODEL NO LPU 71 AME CORP MODEL APP 1 AND HOLLINGSWORTH CO MODEL NO JHTWX10 9 NSN 6115 00 937 0929 NON WINTERIZED AND 6115 00 134 0825 WINTERIZED POWER PLANT UTILITY MUST GAS TURBINE ENGINE DRIVEN AIRESEA MODEL PPU85 5 LIBBY WELDING CO MODEL LPU 71 AMERTECH CO MODEL APP 1 AND HOLLINGSWORTH CO MODEL JHTWX10 96 NSN 6115 00 937 0929 NON WINTERIZED AND 6115 00 134 0825 WINTERIZED GENERATOR SET GAS TURBINE ENGINE DRIVEN TACTICAL SKID MTD 1 400 HZ ALTERNATING CURRENT GENERATOR SET GAS TURBINE ENGINE 45 KW AC 120 208 AND 240 4 3 PHASE 4 WIRE SKID MTD WINTERIZED AIRESEARCH MODEL GTGE 70 FSN 6115 075 1639 POWER PLAN UTILITY MUST GAS TURBINE ENGINE DRIVEN AIRESEARCH CO MOD PPU85 5 LIBBY WELDING CO MODEL LPU 71 AMERTECH CORP MODEL APP 1 AND HOLLINGSWORTH CO MODEL JHTWX 10 96 NSN 6115 00 937 0929 NONWINTERIZED AND 6115 00 134 0825 WINTERIZED POWER PLANT UTILITY GAS TURBINE ENGINE DRIVEN AMERTECH CORP MODEL APP 1 POWER PLANT UTILITY GAS TURBINE ENGINE DRIVEN LIBBY WELDING CO MODEL LPU 71 POWER UNIT UTILITY PACK GAS TURBINE ENGINE DRIVEN AIRESEARCH MODEL PPU85 5 TYPE A AVIATION UNIT AND INTERMEDIATE MAINTENANCE FOR GAS TURBINE ENGI AUXILIARY POWER UNIT APU MODEL T 62T 2B PART NO 161050 10 NSN 2835 01 092 2037 AVIATION UNIT AND INTERMEDIATE MAINTENANCE REPAIR PARTS AND SPE TOOLS LIST INCLUDING DEPOT MAINTENANCE REPAIR PARTS AND SPECIA FOR GAS TURBINE ENGINE AUXILIARY POWER UNIT APU MODEL T 62 PART NO 160150 100 NSN 2835 01 092 2037

Railway Signaling and Communications ,1919 Manuals Combined: USMC / MWTC Marine Corps Winter And Summer Mountain / Wilderness Medicine, Survival And Warfare Leader , Over 3 600

total pages Contains the following publications Small Unit Leader s Guide to Mountain Warfare Operations Mountain Leader s Guide to Winter Operations Mountain Leader s Guide to Mountain Warfare Operations Cold Region Operations Mountain Warfare Operations SUMMER SURVIVAL COURSE HANDBOOK WINTER SURVIVAL COURSE HANDBOOK ASSAULT

CLIMBERS HANDBOOK COLD WEATHER MEDICINE COURSE WILDERNESS MEDICINE COURSE MOUNTAIN LEADER
BOOK SUMMER MOUNTAIN LEADER MANUAL WINTER

Decoding **Coleman Generators Manual**: Revealing the Captivating Potential of Verbal Expression

In an era characterized by interconnectedness and an insatiable thirst for knowledge, the captivating potential of verbal expression has emerged as a formidable force. Its power to evoke sentiments, stimulate introspection, and incite profound transformations is genuinely awe-inspiring. Within the pages of "**Coleman Generators Manual**," a mesmerizing literary creation penned by way of a celebrated wordsmith, readers embark on an enlightening odyssey, unraveling the intricate significance of language and its enduring affect our lives. In this appraisal, we shall explore the book is central themes, evaluate its distinctive writing style, and gauge its pervasive influence on the hearts and minds of its readership.

<http://antonioscollegestation.com/public/browse/fetch.php/craft%20for%20story%20of%20ananas%20healing%20paul.pdf>

Table of Contents Coleman Generators Manual

1. Understanding the eBook Coleman Generators Manual
 - The Rise of Digital Reading Coleman Generators Manual
 - Advantages of eBooks Over Traditional Books
2. Identifying Coleman Generators Manual
 - Exploring Different Genres
 - Considering Fiction vs. Non-Fiction
 - Determining Your Reading Goals
3. Choosing the Right eBook Platform
 - Popular eBook Platforms
 - Features to Look for in an Coleman Generators Manual
 - User-Friendly Interface
4. Exploring eBook Recommendations from Coleman Generators Manual
 - Personalized Recommendations
 - Coleman Generators Manual User Reviews and Ratings
 - Coleman Generators Manual and Bestseller Lists

5. Accessing Coleman Generators Manual Free and Paid eBooks
 - Coleman Generators Manual Public Domain eBooks
 - Coleman Generators Manual eBook Subscription Services
 - Coleman Generators Manual Budget-Friendly Options
6. Navigating Coleman Generators Manual eBook Formats
 - ePub, PDF, MOBI, and More
 - Coleman Generators Manual Compatibility with Devices
 - Coleman Generators Manual Enhanced eBook Features
7. Enhancing Your Reading Experience
 - Adjustable Fonts and Text Sizes of Coleman Generators Manual
 - Highlighting and Note-Taking Coleman Generators Manual
 - Interactive Elements Coleman Generators Manual
8. Staying Engaged with Coleman Generators Manual
 - Joining Online Reading Communities
 - Participating in Virtual Book Clubs
 - Following Authors and Publishers Coleman Generators Manual
9. Balancing eBooks and Physical Books Coleman Generators Manual
 - Benefits of a Digital Library
 - Creating a Diverse Reading Collection Coleman Generators Manual
10. Overcoming Reading Challenges
 - Dealing with Digital Eye Strain
 - Minimizing Distractions
 - Managing Screen Time
11. Cultivating a Reading Routine Coleman Generators Manual
 - Setting Reading Goals Coleman Generators Manual
 - Carving Out Dedicated Reading Time
12. Sourcing Reliable Information of Coleman Generators Manual
 - Fact-Checking eBook Content of Coleman Generators Manual
 - Distinguishing Credible Sources
13. Promoting Lifelong Learning

- Utilizing eBooks for Skill Development
 - Exploring Educational eBooks
14. Embracing eBook Trends
- Integration of Multimedia Elements
 - Interactive and Gamified eBooks

Coleman Generators Manual Introduction

Coleman Generators Manual Offers over 60,000 free eBooks, including many classics that are in the public domain. Open Library: Provides access to over 1 million free eBooks, including classic literature and contemporary works. Coleman Generators Manual Offers a vast collection of books, some of which are available for free as PDF downloads, particularly older books in the public domain. Coleman Generators Manual : This website hosts a vast collection of scientific articles, books, and textbooks. While it operates in a legal gray area due to copyright issues, its a popular resource for finding various publications. Internet Archive for Coleman Generators Manual : Has an extensive collection of digital content, including books, articles, videos, and more. It has a massive library of free downloadable books. Free-eBooks Coleman Generators Manual Offers a diverse range of free eBooks across various genres. Coleman Generators Manual Focuses mainly on educational books, textbooks, and business books. It offers free PDF downloads for educational purposes. Coleman Generators Manual Provides a large selection of free eBooks in different genres, which are available for download in various formats, including PDF. Finding specific Coleman Generators Manual, especially related to Coleman Generators Manual, might be challenging as theyre often artistic creations rather than practical blueprints. However, you can explore the following steps to search for or create your own Online Searches: Look for websites, forums, or blogs dedicated to Coleman Generators Manual, Sometimes enthusiasts share their designs or concepts in PDF format. Books and Magazines Some Coleman Generators Manual books or magazines might include. Look for these in online stores or libraries. Remember that while Coleman Generators Manual, sharing copyrighted material without permission is not legal. Always ensure youre either creating your own or obtaining them from legitimate sources that allow sharing and downloading. Library Check if your local library offers eBook lending services. Many libraries have digital catalogs where you can borrow Coleman Generators Manual eBooks for free, including popular titles. Online Retailers: Websites like Amazon, Google Books, or Apple Books often sell eBooks. Sometimes, authors or publishers offer promotions or free periods for certain books. Authors Website Occasionally, authors provide excerpts or short stories for free on their websites. While this might not be the Coleman Generators Manual full book , it can give you a taste of the authors writing style. Subscription Services Platforms like Kindle Unlimited or Scribd offer subscription-based access to a wide range of Coleman Generators Manual eBooks, including some popular titles.

FAQs About Coleman Generators Manual Books

1. Where can I buy Coleman Generators Manual books? Bookstores: Physical bookstores like Barnes & Noble, Waterstones, and independent local stores. Online Retailers: Amazon, Book Depository, and various online bookstores offer a wide range of books in physical and digital formats.
2. What are the different book formats available? Hardcover: Sturdy and durable, usually more expensive. Paperback: Cheaper, lighter, and more portable than hardcovers. E-books: Digital books available for e-readers like Kindle or software like Apple Books, Kindle, and Google Play Books.
3. How do I choose a Coleman Generators Manual book to read? Genres: Consider the genre you enjoy (fiction, non-fiction, mystery, sci-fi, etc.). Recommendations: Ask friends, join book clubs, or explore online reviews and recommendations. Author: If you like a particular author, you might enjoy more of their work.
4. How do I take care of Coleman Generators Manual books? Storage: Keep them away from direct sunlight and in a dry environment. Handling: Avoid folding pages, use bookmarks, and handle them with clean hands. Cleaning: Gently dust the covers and pages occasionally.
5. Can I borrow books without buying them? Public Libraries: Local libraries offer a wide range of books for borrowing. Book Swaps: Community book exchanges or online platforms where people exchange books.
6. How can I track my reading progress or manage my book collection? Book Tracking Apps: Goodreads, LibraryThing, and Book Catalogue are popular apps for tracking your reading progress and managing book collections. Spreadsheets: You can create your own spreadsheet to track books read, ratings, and other details.
7. What are Coleman Generators Manual audiobooks, and where can I find them? Audiobooks: Audio recordings of books, perfect for listening while commuting or multitasking. Platforms: Audible, LibriVox, and Google Play Books offer a wide selection of audiobooks.
8. How do I support authors or the book industry? Buy Books: Purchase books from authors or independent bookstores. Reviews: Leave reviews on platforms like Goodreads or Amazon. Promotion: Share your favorite books on social media or recommend them to friends.
9. Are there book clubs or reading communities I can join? Local Clubs: Check for local book clubs in libraries or community centers. Online Communities: Platforms like Goodreads have virtual book clubs and discussion groups.
10. Can I read Coleman Generators Manual books for free? Public Domain Books: Many classic books are available for free as they're in the public domain. Free E-books: Some websites offer free e-books legally, like Project Gutenberg or Open Library.

Find Coleman Generators Manual :

[craft for story of ananias healing paul](#)

craftsman manual for garage door opener

cr 80 workshop manual

cpp 138 p honda nps50 ruckus cyclepedia printed scooter service manual

craft guide for vbs

[craftsman pressure washer owner manual](#)

cracking the texes college test preparation

craftsman 850 platinum 190cc repair manual

[cpi le10 manual](#)

cpm core connections course 2 answers sheet

cqb tactics manual

cpft exam study guide

[ept code ulnar nerve exploration](#)

[cracking the genetic code pbs nova answers](#)

[craftsman 16 electric chainsaw manual](#)

Coleman Generators Manual :

the last job the bad grandpas and the hatton garden heist - Aug 02 2022

web the last job is a fabulous read gripping at times hilarious at times terrifying always astonishing using his skills as an investigative reporter bilefsky pieces together a study

download the last job the bad grandpas and the hatton - May 31 2022

web the last job the bad grandpas and the hatton garden heist paperback 3 8 28 ratings see all formats and editions
paperback print length 320 pages print length 320 pages

cash jewels and gold the tale of britain s biggest - Mar 09 2023

web apr 23 2019 a meticulously researched procedural laura lippman new york times over easter weekend 2015 a motley crew of six aging english thieves couldn t resist

the last job the bad grandpas and the hatton garden heist - Apr 10 2023

web apr 23 2019 the last job the bad grandpas and the hatton garden heist ebook bilefsky dan amazon ca kindle store

the last job the bad grandpas and the hatton - Feb 08 2023

web may 24 2019 buy the last job the bad grandpas and the hatton garden heist illustrated by bilefsky dan isbn 9780393609516 from amazon s book store

the last job the bad grandpas and the hatton garden heist - Oct 04 2022

web the definitive account of one of the most brazen jewel heists in history over easter weekend 2015 a motley crew of six english thieves several in their sixties and seventies couldn t

the last job the bad grandpas and the hatton garden heist - Jan 27 2022

web apr 23 2019 over easter weekend 2015 a motley crew of six english thieves several in their sixties and seventies couldn t resist coming out of retirement for one last career

the last job the bad grandpas and the hatton garden heist - Jun 12 2023

web 201 reviews august 9 2022 a thorough and entertaining recount of one of britain s largest burglaries in 2015 a group of veteran burglars set their sights on one final caper the

last job the bad grandpas the hatton garden heist powell s - Mar 29 2022

web apr 23 2019 dan bilefsky the last job the bad grandpas and the hatton garden heist kindle edition by dan bilefsky author format kindle edition 56 ratings 3 4 on

the last job the bad grandpas and the hatton garden heist - Dec 06 2022

web buy the last job the bad grandpas and the hatton garden heist unabridged by dan bilefsky highbridge audio and blackstone publishing isbn 9781665127936 from

the last job the bad grandpas and the hatton garden heist - Oct 24 2021

the last job the bad grandpas and the hatton garden - Nov 05 2022

web the last job the bad grandpas and the hatton garden heist audiobook written by dan bilefsky narrated by chris macdonnell get instant access to all your favorite

the last job the bad grandpas and the hatton garden heist - Feb 25 2022

web apr 21 2020 over easter weekend 2015 a motley crew of six english thieves several in their sixties and seventies couldn t resist coming out of retirement for one last career

last job the bad grandpas and the hatton garden heist - Jul 01 2022

web over easter weekend 2015 a motley crew of six english thieves several in their sixties and seventies couldn t resist coming out of retirement for one last career topping heist their

the last job the bad grandpas and the hatton garden - Sep 03 2022

web the definitive account of one of the most brazen bank robberies in history over easter weekend 2015 four roguish thieves in their sixties and seventies came out of retirement

the last job the bad grandpas and the hatton garden heist - Dec 26 2021

the last job the bad grandpas and the hatton - May 11 2023

web buy the last job the bad grandpas and the hatton garden heist illustrated by bilefsky dan isbn 9780393357950 from amazon s book store everyday low prices

the last job the bad grandpas and the hatton garden heist - Nov 24 2021

the last job the bad grandpas and the hatton - Jul 13 2023

web apr 21 2020 the definitive account of one of the most brazen jewel heists in history over easter weekend 2015 a motley crew of six english thieves several in their sixties and

the last job the bad grandpas and the hatton - Aug 14 2023

web apr 23 2019 over easter weekend 2015 a motley crew of six english thieves several in their sixties and seventies couldn t resist coming out of retirement for one last career

the last job the bad grandpas and the hatton garden heist - Apr 29 2022

web over easter weekend 2015 a motley crew of six english thieves several in their sixties and seventies couldn t resist coming out of retirement for one last career topping heist their

the last job the bad grandpas and the hatton garden heist - Jan 07 2023

web the last job the bad grandpas and the hatton garden heist dan bilefsky norton 26 95 304p isbn 978 0 393 60951 6

sappho s company of friends jstor - Jul 27 2022

web jul 26 2021 companion to sappho chapter 5 p 76 it is said here with reference to my lengthy essay about the transmission of songs attributed to sappho and alcaeus nagy

bibliography the cambridge companion to sappho - Jan 01 2023

web jan 4 2000 4 00 50 ratings9 reviews born around 630 bc on the greek island of lesbos sappho is the greatest lyrical poet of greece and one of the greatist artists of any age

the sappho companion by margaret reynolds goodreads - Oct 30 2022

web a sappho companion the cambridge companion to sappho apr 26 2023 a detailed up to date survey of the most important woman writer from greco roman antiquity

a sappho companion book - Aug 28 2022

web summary born around 630bc on the greek island of lesbos sappho is now regarded as the greatest lyrical poet of ancient greece ironic and passionate capturing the troubled

to sappho cambridge university press assessment - Apr 04 2023

web the cambridge companion to sappho provides an up to date survey of this remarkable inspiring and mysterious greek writer whose poetic corpus has been significantly

the cambridge companion to sappho bryn mawr classical - May 05 2023

web the cambridge companion to sappho edited by p j finglass adrian kelly university printing house cambridge cb bs united kingdom one liberty plaza th

the cambridge companion to sappho university of bristol - Mar 03 2023

web sappho as aphrodite s singer poet and hero ine the reconstruction of the context and sense of the kypris song in bierl and lardinois 2016 eds 339 52 google scholar

the sappho companion request pdf researchgate - Apr 23 2022

web definition of sappho in the definitions net dictionary meaning of sappho what does sappho mean information and translations of sappho in the most comprehensive

the sappho companion penguin books uk - Jun 25 2022

web mar 1 2003 request pdf the sappho companion a brief and very positive review of margaret reynolds book find read and cite all the research you need on researchgate

the cambridge companion to sappho google books - Aug 08 2023

web apr 9 2021 did the byzantines have access to any sappho that we do not what interaction can we trace by them with the fragments that they did know chapter 23 of

sappho definition usage examples dictionary com - Mar 23 2022

web sappho sappho aeolic greek Ψάπφω psáppho c 630 c 570 bc was an archaic greek poet from the island of lesbos sappho 31 sappho 31 is an archaic greek lyric

sappho at byzantium chapter 23 the cambridge companion - Jul 07 2023

web feb 19 2021 the cambridge companion to sappho provides an up to date survey of this remarkable inspiring and mysterious greek writer whose poetic corpus has been

the sappho companion reynolds margaret 1957 free - Sep 28 2022

web female alike the sappho companion 86 see also glenn most reflecting sappho 16 28 joan dejean fictions of sappho mainly on sappho s reception in france and

the cambridge companion to sappho cup faculty of classics - Jun 06 2023

web both are addressed in this companion along with sappho s poetics and the history of her poems textual transmission of these four parts contexts poetics transmission and

what does sappho mean definitions net - Feb 19 2022

web apr 9 2021 chapter 8 of the cambridge companion to sappho interrogates the question of how sappho s poems were performed looking at different theories put forward by

sappho a companion to greek lyric wiley online library - Nov 30 2022

web the sappho companion by reynolds margaret 1957 sappho selections english 2000

the cambridge companion to sappho - Oct 10 2023

web the cambridge companion to sappho provides an up to date survey of this remarkable inspiring and mysterious greek writer whose poetic corpus has been significantly expanded in recent years thanks to the discovery of new papyrus sources

cambridge companions to literature the - Feb 02 2023

web may 6 2022 the cultic hymns songs composed for performance at religious festivals suggest that sappho was a respected member of her community the satirical songs

the cambridge companion to sappho assets - Nov 18 2021

the cambridge companion to sappho - Sep 09 2023

web apr 29 2021 the cambridge companion to sappho provides an up to date survey of this remarkable inspiring and mysterious greek writer whose poetic corpus has been

can sappho be freed from receivership part two - May 25 2022

web jan 28 2014 sappho definition see examples of sappho used in a sentence

how to pronounce sappho howtopronounce com - Jan 21 2022

web cambridge companion to sappho provides an up to date survey of this remarkable inspiring and mysterious greek wr iter whose poetic corpus has been signi cantly

performing sappho chapter 8 the cambridge companion to - Dec 20 2021

downloadable free pdfs manual atlas copco xas 350 kn9fad9 dafamail - Jun 14 2023

web manual atlas copco xas 350 kn9fad9 dafamail download pdf getting the books manual atlas copco xas 350 kn9fad9 dafamail download pdf now is not type of inspiring means you could not only going in the manner of books amassing or

library or borrowing from your associates to admission them this is an unquestionably easy

manual atlas copco xas 350 kn9fad9 dafamail download full - May 13 2023

web as this manual atlas copco xas 350 kn9fad9 dafamail download it ends in the works innate one of the favored ebook manual atlas copco xas 350 kn9fad9 dafamail download collections that we have this is why you remain in the best website to see the unbelievable books to have manual atlas copco xas 350 kn9fad9 dafamail download

manual atlas copco xas 350 kn9fad9 dafamail download pdf download - Nov 07 2022

web will categorically ease you to see guide manual atlas copco xas 350 kn9fad9 dafamail download pdf as you such as by searching the title publisher or authors of guide you in fact want you can discover them rapidly in the house workplace or perhaps in your method can be all best area within net connections if you objective to download and

manual atlas copco xas 350 kn9fad9 dafamail download pdf - Feb 10 2023

web period for their favorite books taking into account this manual atlas copco xas 350 kn9fad9 dafamail download but stop occurring in harmful downloads rather than enjoying a fine pdf gone a cup of coffee in the afternoon otherwise they juggled taking into consideration some harmful virus inside their computer manual atlas copco xas 350

manual atlas copco xas 350 kn9fad9 dafamail download - Mar 31 2022

web manual atlas copco xas 350 kn9fad9 dafamail download 3 3 industries such as aviation automobile and consumer product design this book helps you to get up and running with solidworks and understand each new concept and tool with the help of easy to follow exercises you ll begin with the basics

manual atlas copco xas 350 kn9fad9 dafamail download pdf - Sep 05 2022

web jun 21 2023 the manner of this manual atlas copco xas 350 kn9fad9 dafamail download pdf but end happening in harmful downloads rather than enjoying a fine ebook later than a cup of coffee in the afternoon then again they juggled past some harmful virus inside their computer manual atlas copco xas 350 kn9fad9 dafamail

manual atlas copco xas 350 kn9fad9 dafamail download - Jun 02 2022

web manual atlas copco xas 350 kn9fad9 dafamail download cessna 414 poh book free download book cessna 414 poh pdf pdf manual atlas copco xas 350 kn9fad9 dafamail download pdf pdf nrp

manual atlas copco xas 350 kn9fad9 dafamail download pdf - Apr 12 2023

web aug 9 2023 acquire the manual atlas copco xas 350 kn9fad9 dafamail download pdf join that we pay for here and check out the link you could buy guide manual atlas copco xas 350 kn9fad9 dafamail download pdf or get it as soon as feasible you could speedily download this manual atlas copco xas 350 kn9fad9 dafamail download pdf after

manual atlas copco xas 350 kn9fad9 dafamail download pdf - Jul 15 2023

web jun 29 2023 you could speedily download this manual atlas copco xas 350 kn9fad9 dafamail download pdf after getting deal so next you require the books swiftly you can straight acquire it

manual atlas copco xas 350 kn9fad9 dafamail download - May 01 2022

web jul 19 2023 manual atlas copco xas 350 kn9fad9 dafamail download author online kptm edu my 2023 07 19 02 36 18
subject manual atlas copco xas 350 kn9fad9 dafamail download keywords manual atlas copco xas 350 kn9fad9 dafamail
download created date 7 19 2023 2 36 18 am

manual atlas copco xas 350 kn9fad9 dafamail download pdf - Jan 09 2023

web jun 23 2023 copco xas 350 kn9fad9 dafamail download but stop taking place in harmful downloads rather than enjoying
a fine pdf afterward a mug of coffee in the afternoon otherwise they juggled past some harmful virus inside their computer
manual atlas copco xas 350 kn9fad9 dafamail download is clear in our

download the manual atlas copco - Aug 16 2023

web download the manual close download the manual below you find the distributor manual for donwload in different
languages atlas copco brand identity manual for distributors arabic atlas copco brand identity manual for distributors
chinese atlas copco brand identity manual for distributors english

manual atlas copco xas 350 kn9fad9 dafamail download pdf - Jul 03 2022

web manual atlas copco xas 350 kn9fad9 dafamail download pdf below manual atlas copco xas 350 kn9fad9 dafamail
download web may 31 2023 manual atlas copco xas 350 kn9fad9 dafamail download but end up in damaging downloads it
will exceedingly comfort you to see manual manual atlas copco xas 350 kn9fad9 dafamail download

manual atlas copco xas 350 kn9fad9 dafamail download 2023 - Aug 04 2022

web manual atlas copco xas 350 kn9fad9 dafamail download pdf is available in our digital library an online access to it is set
as public so you can get it instantly

manual atlas copco xas 350 kn9fad9 dafamail pdf ny creates - Feb 27 2022

web sep 30 2022 manual atlas copco xas 350 kn9fad9 dafamail is nearby in our digital library an online admission to it is set
as public suitably you can download it instantly our digital library saves in combined countries allowing you to get the most
less latency era to download any of our books subsequently this one

manual atlas copco xas 350 kn9fad9 dafamail download - Jan 29 2022

web jul 1 2023 kn9fad9 dafamail pdf download books manual atlas copco xas 350 kn9fad9 dafamail speakings gestamp com
1 2 manual atlas copco xas 350 kn9fad9 dafamail download

atlas copco xas 65 pdf scribd - Dec 28 2021

web atlas copco xas 65 free download as pdf file pdf text file txt or read online for free scribd is the world s largest social
reading and publishing site manual de partes atlas copco xas 65 cristian fernando tarifa martinez untitled untitled peyaca
pths1200 pths1200

manual atlas copco xas 350 kn9fad9 dafamail download pdf - Dec 08 2022

web apr 23 2023 copco xas 350 kn9fad9 dafamail download but end up in harmful downloads rather than enjoying a good book similar to a cup of coffee in the afternoon instead they juggled taking into account some harmful virus inside their computer manual atlas copco xas 350 kn9fad9 dafamail download is

atlas copco compressed air manual - Oct 06 2022

web atlas copco compressed air manual 8th edition compressed air manual 8 th edition atlascopco com belgium 2015 9780 0380 11 cam cover english 2014 indd 1 13 04 15 14 54 compressed air manual 8th edition cam edition8 2014 indd 1 13 04 15 14 49 this manual is published by atlas copco airpower nv

manual atlas copco xas 350 kn9fad9 dafamail download full - Mar 11 2023

web manual atlas copco xas 350 kn9fad9 dafamail download this is likewise one of the factors by obtaining the soft documents of this manual atlas copco xas 350 kn9fad9 dafamail download by online you might not require more era to spend to go to the books introduction as skillfully as search for them in some cases you likewise pull off not